

## iQ500, Built-in Fridge, 82 x 60 cm KU15RA65



iQ 500 undercounter fridge with handy covered fruit and vegetables compartment in the very efficient EEC A++

- ✓ The LED lights up the interior brightly and evenly, without dazzling.
- ✓ The safetyGlass shelves are of extra strong, easy-cleaning safety glass.

### Features

#### Technical data

Built-in / Free-standing : Built-in  
 Number of compressors : 1  
 Number of independent cooling systems : 1  
 Width of the appliance : 598  
 Height (mm) : 820  
 Depth of the product : 548  
 Net weight (kg) : 33.115  
 Required niche size for installation (HxWxD) : 820 x 600 x 550  
 Door panel options : Possible but accessory  
 Door hinge : Right reversible  
 Number of Adjustable Shelves in fridge compartment : 2  
 Shelves for Bottles : No  
 Frost free system : No  
 Interior ventilator : No  
 Reversible Door Hinge : Yes  
 Length electrical supply cord (cm) : 230  
 Noise level (dB(A) re 1 pW) : 38  
 Multi-Flow Air Tower : No  
 Economy setting : No  
 Cold technology : 1 compressor/1 cold circuit  
 Fast cooling switch : No  
 Temperature Controlled Drawer : No  
 Humidity Control Drawer : No  
 Number of Door Bins - Refrigerator : 3  
 Door bin adjustability - Refrigerator : No  
 Tilt-out door bins in fridge : Yes  
 Gallon Storage : Yes  
 Number of Gallon storage : 1  
 No. of shelves in fridge : 3  
 Motorized Shelf : No  
 Material of the shelves : Glas, plastic  
 Door opened indicator freezer : No  
 Connection Rating (W) : 90  
 Fuse protection (A) : 10  
 Voltage (V) : 220-240  
 Frequency (Hz) : 50  
 Energy consumption annual (kWh/annum) - NEW (2010/30/EC) : 92.00  
 Refrigerator Net capacity (l) - NEW (2010/30/EC) : 137  
 Freezer Net capacity (l) - NEW (2010/30/EC) : 0  
 Frost free system : No  
 Freezing capacity (kg/24h) - NEW (2010/30/EC) : 0  
 Approval certificates : CE, Morocco, VDE  
 Main colour of product : N/A  
 Door panel options : Possible but accessory  
 Installation typology : Built-under  
 Noise level (dB(A) re 1 pW) : 38  
 Energy Star Qualified : No  
 Plug type : Gardy plug w/ earthing  
 Required cutout/niche size for installation (in) : x x  
 Dimensions of the packed product (in) : 35.03 x 26.37 x 24.40  
 Net weight (lbs) : 73.000  
 Gross weight (lbs) : 80.000

### Included accessories

1 x egg tray



## iQ500, Built-in Fridge, 82 x 60 cm KU15RA65

### Features

#### General Information

- Energy efficiency class: A++ (92 kWh per year). Actual energy consumption will depend on how the appliance is used and where it is located.
- Total net capacity: 137 litres

#### Comfort and Safety

- Mechanical control
- Automatic defrost

#### Fridge Section

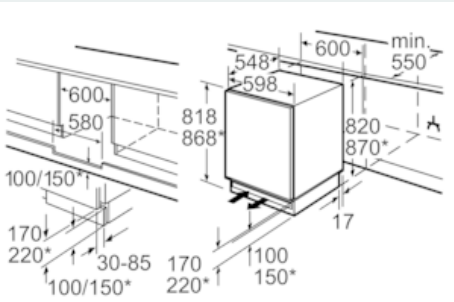
- 3 safety glass shelves of which 2 are height adjustable
- Full width pull out drawer
- 2 vegetable containers with lid
- 1 door trays
- Bottle holder in x-deep door tray
- Internal LED lights

#### Design

- Soft Close Door
- Door right hinged, reversible
- fixed hinge, Sliding Hinge
- Easy clean interior
- Interior with metal applications

iQ500, Built-in Fridge, 82 x 60 cm  
KU15RA65

Dimensioned drawings



\* variable base/substructure height

Space for electrical connection next to the appliance on the left or right-hand side.  
Ventilation space in the base.

measurements in mm

