

**Series 6, Built-in Fridge-freezer with Freezer at Bottom, 177.2 x 55.8 cm, flat hinge KIS87AF30U**



KSZ10020 Bottle Rack

**Built-in Freezer with 276 l gross capacity provides up to two times longer freshness for your fruit and vegetables thanks to hyperFresh Plus Box.**

- **A++ energy class refrigerator consumes 40% less energy than A energy class.**
- **Intelligent Inverter Technology ensures a stable temperature control and efficient performance.**
- **VitaFresh: vitamin rich fruit & vegetables stay fresh for longer in a climate controlled drawer.**
- **Big Box drawer: for stacking storage containers or for large frozen food items.**
- **VarioZone: more flexibility due to variable-use glass shelves and drawers in the freezer compartment.**

Energy Efficiency Class (Regulation (EU) 2017/1369): ..... E  
 Average annual energy consumption in kilowatt hour per year (kWh/a) (EU) 2017/1369: .....207 kWh/annum  
 Sum of volume of frozen compartments (EU 2017/1369): ..... 63 l  
 Sum of volume of chill compartments: ..... 209 l  
 Airborne acoustical noise emissions : .....36 dB(A) re 1 pW  
 Airborne acoustical noise emission class (EU 2017/1369): ..... C  
 Built-in / Free-standing: ..... Built-in  
 Number of compressors: ..... 1  
 Number of independent cooling systems: ..... 2  
 Width of the appliance: ..... 558 mm  
 Height: ..... 1772 mm  
 Depth: ..... 545 mm  
 Net weight: ..... 60.6 kg  
 Min. required niche size for installation (HxWxD): 1775.0 x 560 x 550 mm  
 Door panel options: ..... Not possible  
 Door hinge: ..... Right reversible  
 Number of Adjustable Shelves in fridge compartment: ..... 4  
 Shelves for Bottles: ..... No  
 Frost free system: ..... No  
 Interior ventilator: ..... No  
 Reversible Door Hinge: ..... Yes  
 Length electrical supply cord: ..... 230.0 cm  
 Connection rating: ..... 90 W  
 Fuse protection: ..... 10 A  
 Voltage: ..... 220-240 V  
 Frequency: ..... 50 Hz  
 Storage Period in Event of Power Failure (h): ..... 12 h



## **Series 6, Built-in Fridge-freezer with Freezer at Bottom, 177.2 x 55.8 cm, flat hinge KIS87AF30U**

- Appliance Dimensions (H x W x D): 177.2 cm x 55.8 cm x 54.5 cm

**Built-in Freezer with 276 l gross capacity provides up to two times longer freshness for your fruit and vegetables thanks to hyperFresh Plus Box.**

- KIS87AF30U

### **Main Characteristics**

- Gross capacity, total: 276 l
- Total net capacity: 270 litres
- Energy efficiency class: A++
- Noise level dB(A) re 1 pW: 36
- digital 7 segment
- Dimensions: H 177.2 cm x L 55.8 cm x D 54.5 cm

### **Fridge**

- Net capacity refrigeration zone: 209 l
- Gross capacity cooling 212 l
- 1 cont. hydrofresh
- 5 safety glass shelves of which Bottom shelf, Extendable glass shelf
- 5 safety glass shelves of which 4 is height adjustable
- 5 door bins
- Dairy compartment
- Supercool function
- LED
- bottle holder in door tray, egg tray

### **Freezer**

- Net freezer capacity 61 litres
- \*\*\*\* freezer 64 l (-18°C and below)
- Freezing capacity: 7 kg in 24 hours
- Storage time in power failure: 26 Hours
- 2 freezer drawers, incl. 1 Big Box
- Manual/automatic activation
- 1 ice cube tray

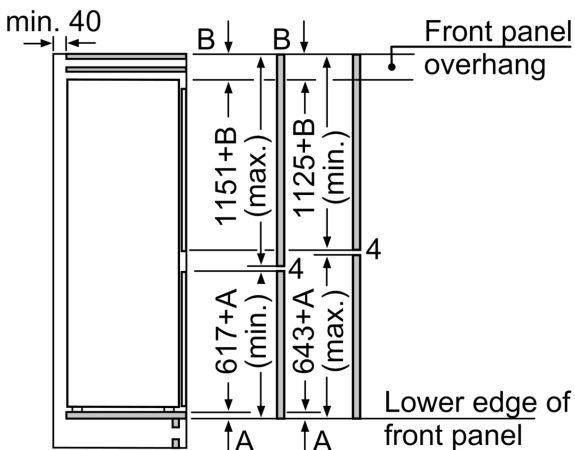
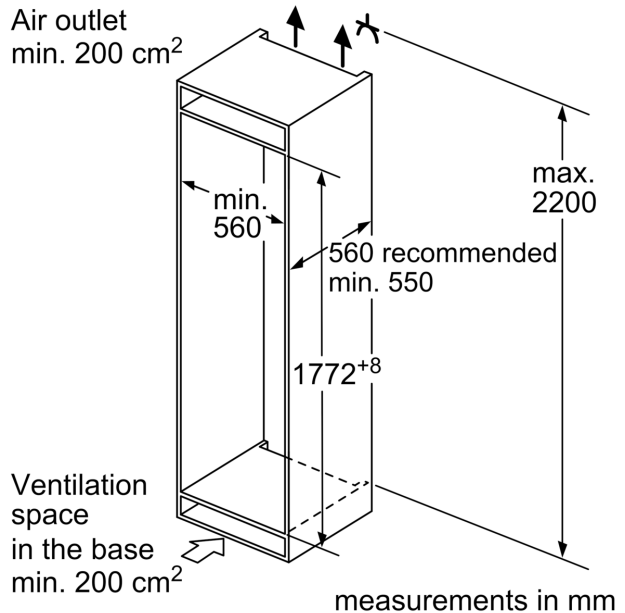
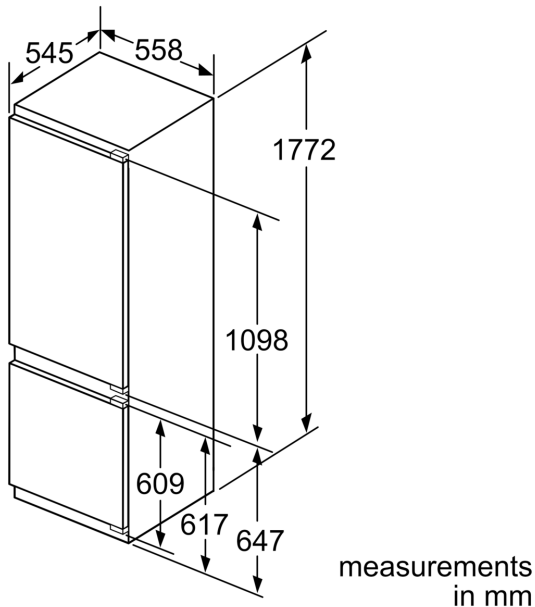
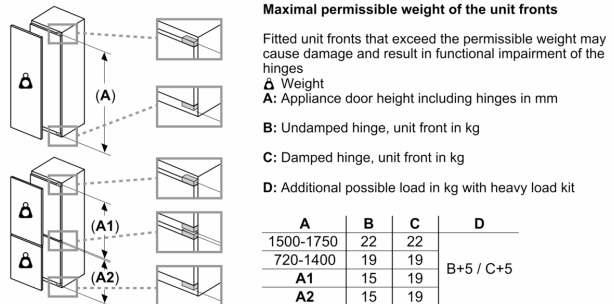
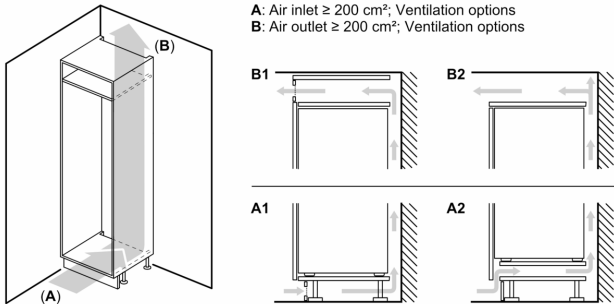
### **Comfort and Safety**

- digital 7 segment
- Holiday mode
- Economy Setting, Holiday Mode
- Acoustic Door Open Warning
- no handle
- Door right hinged, reversible

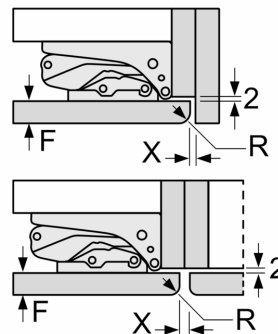
### **Technical Information**

- Energy efficiency class: A++ (225 kWh per year). Actual energy consumption will depend on how the appliance is used and where it is located.
- Climate Class SN-T
- Height adjustable front feet, roles in the back
- Connected load 90 W
- Rated Voltage 220 - 240 V

**Series 6, Built-in Fridge-freezer with  
Freezer at Bottom, 177.2 x 55.8 cm,  
flat hinge  
KIS87AF30U**



measurements in mm  
Recommended gap dimensions for flat hinges



F	R	X
16-19	0-3	2.5
20	0-1	3
	2-3	2.5
21	0-1	3
	2-3	2.5
22	0	4
	1	3.5
	2-3	3

The specified unit door dimensions are valid for a door gap of 4 mm.  
measurements in mm

The gap dimensions recommended in the table must be adhered to in order to ensure that appliance doors do not collide with anything when they are opened, and to avoid causing damage to kitchen units. 1 /