

iQ500, Built-in Fridge-freezer with Freezer at Bottom, 177.2 x 55.8 cm, flat hinge KI86SAFE0



A++



KS10Z020	Bottle Rack
KSGGZM00	Butter box

iQ 500 built-in fridge freezer, with lowFrost technology and hydroFresh Box to keep produce fresh up to twice as long.

- ✓ hyperFresh plus: Longer freshness for fruits and veggies.
- ✓ Less icing saves energy and effort for defrosting – lowFrost.
- ✓ LED light – Even lighting throughout the fridge interior allows you to keep your food in view.
- ✓ bigBox: Extra space for large frozen goods.
- ✓ Fruit and vegetables stay fresh longer in the crisperBox thanks to the humidity slider.

Technical Specifications

Energy Efficiency Class (Regulation (EU) 2017/1369):	E
Average annual energy consumption in kilowatt hour per year (kWh/a) (EU) 2017/1369:	219 kWh/annum
Sum of volume of frozen compartments (EU 2017/1369):	74 l
Sum of volume of chill compartments:	192 l
Airborne acoustical noise emissions :	36 dB(A) re 1 pW
Airborne acoustical noise emission class (EU 2017/1369):	C
Design:	Built-in
Number of compressors:	1
Number of independent cooling systems:	2
Width of the appliance:	558 mm
Height:	1772 mm
Depth:	545 mm
Net weight:	63.5 kg
Min. required niche size for installation (HxWxD):	1775.0 x 560 x 550 mm
Door panel options:	Not possible
Door opening:	Right reversible
Number of Adjustable Shelves in fridge compartment:	4
Shelves for Bottles:	No
Frost free system:	No
Interior ventilator:	No
Reversible Door Hinge:	Yes
Length electrical supply cord:	230.0 cm
Connection rating:	90 W
Fuse protection:	10 A
Voltage:	220-240 V
Frequency:	50 Hz
Storage Period in Event of Power Failure (h):	9 h



iQ500, Built-in Fridge-freezer with Freezer at Bottom, 177.2 x 55.8 cm, flat hinge KI86SAFE0

- KI86SAFE0
- easy Installation

Consumption

Design

- Internal LED lights in fridge section

Comfort and Safety

- 7 segment electronic control
- freshSense - constant temperature by intelligent sensor technology
- Single Kompressor
- Super cool function
- Manual/automatic activation
- Holiday mode
- Acoustic warning system
- Optical and acoustic warning System, Failure memory function

Fridge Section

- 5 safety glass shelves (4 height adjustable)
- 5 door bins, 1 dairy compartment5 door bins, there of 1x dairy compartment

Freshness System

- 1 cont. VitaFresh box with humidity control - keeps fruit and vegetables fresher for twice as long

Freezer Section

- yes
- Safety glass
- 3 transparent freezer drawers, whereof 1 extra large Big Box drawer

APPLIANCE DIMENSION

- Dimensions: H 177.2 cm x L 55.8 cm x D 54.5 cm
- Niche Dimension H X W x D: 177.5 cm cm x 56 cm x 55 cm

TECHNICAL INFORMATION

- Door right hinged, reversible
- Connected load 90 W
- Rated Voltage 220 - 240 V

Standard Accessories

- egg tray, ice cube tray, bottle holder in door tray
- bottle holder

Country Specific Options

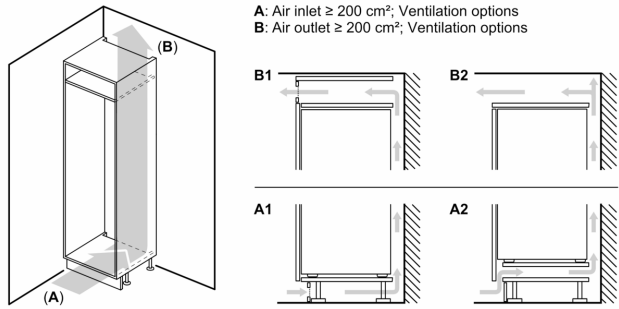
- Based on the results of the standard 25-hour test. Actual consumption depends on usage/position of the appliance.

ENVIREMENT AND SAFETY

INSTALLATION

General Information

**iQ500, Built-in Fridge-freezer with
Freezer at Bottom, 177.2 x 55.8
cm, flat hinge
KI86SAFE0**



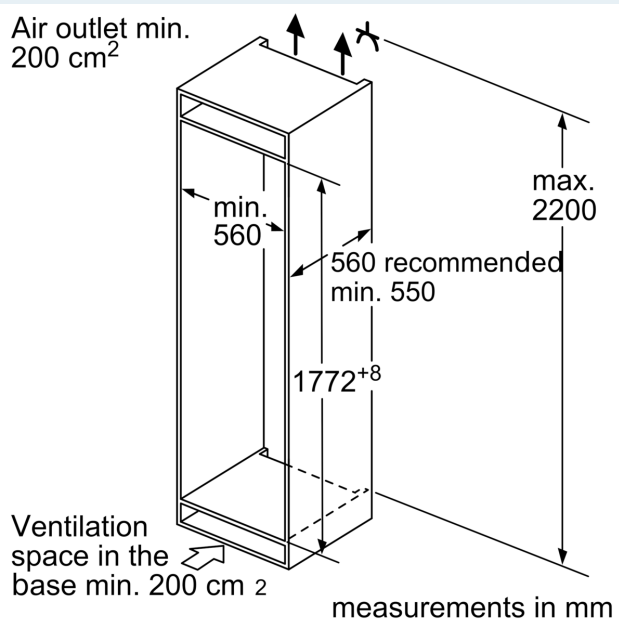
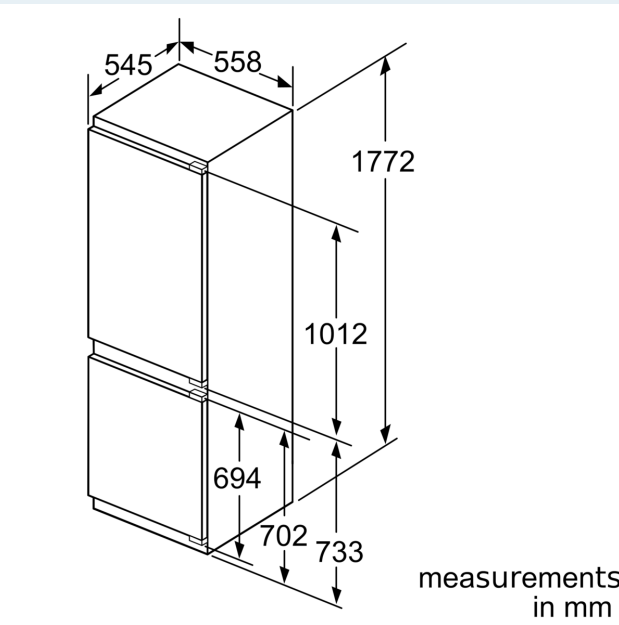
Maximal permissible weight of the unit fronts

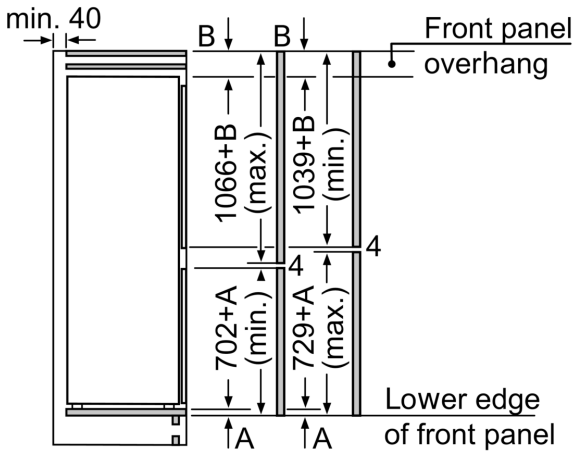
Fitted unit fronts that exceed the permissible weight may cause damage and result in functional impairment of the hinges

Δ Weight
 A: Appliance door height including hinges in mm

B: Undamped hinge, unit front in kg
 C: Damped hinge, unit front in kg
 D: Additional possible load in kg with heavy load kit

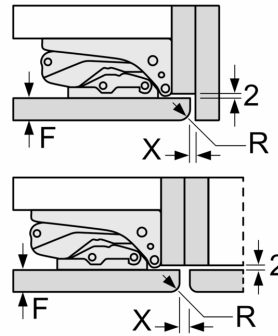
A	B	C	D
1500-1750	22	22	
720-1400	19	19	B+5 / C+5
A1	15	19	
A2	15	19	





The specified unit door dimensions are valid for a door gap of 4 mm.
 measurements in mm

measurements in mm
 Recommended gap dimensions for flat hinges



F	R	X
16-19	0-3	2.5
20	0-1	3
	2-3	2.5
21	0-1	3
	2-3	2.5
22	0	4
	1	3.5
	2-3	3

The gap dimensions recommended in the table must be adhered to in order to ensure that appliance doors do not collide with anything when they are opened, and to avoid causing damage to kitchen units.