

## iQ500, Built-in Fridge-freezer with Freezer at Bottom, 177.2 x 55.8 cm KI86SAF30



iQ 500 built-in fridge freezer, with lowFrost technology and hydroFresh Box to keep produce fresh up to twice as long.

- ✓ The hydroFresh Box with adjustable humidity keeps fruit and vegetables fresh up to 2 times longer.
- ✓ Less frost formation and faster defrosting with lowFrost.
- ✓ The LED lights up the interior brightly and evenly, without dazzling.
- ✓ The bigBox offers plenty of space to store and stack large frozen items efficiently.
- ✓ Fruit and vegetables stay fresh longer in the crisperBox thanks to the humidity slider.

### Features

#### Technical data

Built-in / Free-standing : Built-in  
 Number of compressors : 1  
 Number of independent cooling systems : 2  
 Width of the appliance : 558  
 Depth of the product : 545  
 Net weight (kg) : 68.937  
 Required niche size for installation (HxWxD) : 1775.0 x 560 x 550  
 Door panel options : Not possible  
 Door hinge : Right reversible  
 Number of Adjustable Shelves in fridge compartment : 4  
 Shelves for Bottles : No  
 Frost free system : No  
 Interior ventilator : No  
 Reversible Door Hinge : Yes  
 Length electrical supply cord (cm) : 230  
 Noise level (dB(A) re 1 pW) : 36  
 Multi-Flow Air Tower : No  
 Fast cooling switch : Yes  
 Fast freezing switch : No  
 Temperature Controlled Drawer : No  
 Humidity Control Drawer : Yes  
 Number of Door Bins - Refrigerator : 4  
 Door bin adjustability - Refrigerator : No  
 Tilt-out door bins in fridge : Yes  
 Gallon Storage : Yes  
 Number of Gallon storage : 1  
 Motorized Shelf : No  
 Door opened indicator freezer : Yes  
 Drawers with telescopic rails : none  
 Automatic motor-driven ice-maker : No  
 Connection Rating (W) : 90  
 Fuse protection (A) : 10  
 Voltage (V) : 220-240  
 Frequency (Hz) : 50  
 Storage Period in Event of Power Failure (h) : 32  
 Approval certificates : CE, Ukraine, VDE  
 Main colour of product : N/A  
 Door panel options : Not possible  
 Noise level (dB(A) re 1 pW) : 36  
 Energy consumption annual (kWh/annum) - NEW (2010/30/EC) : 218.00  
 Refrigerator Net capacity (l) - NEW (2010/30/EC) : 191  
 Freezer Net capacity (l) - NEW (2010/30/EC) : 74  
 Frost free system : No  
 Freezing capacity (kg/24h) - NEW (2010/30/EC) : 7  
 Energy Star Qualified : No  
 Approval certificates : CE, Ukraine, VDE  
 Plug type : Garty plug w/ earthing  
 Required cutout/niche size for installation (in) : x x  
 Dimensions of the packed product (in) : 72.44 x 24.40 x 25.19  
 Net weight (lbs) : 152.000  
 Gross weight (lbs) : 164.000

### Included accessories

- 2 x cold accumulator
- 2 x egg tray
- 1 x ice cube tray



## iQ500, Built-in Fridge-freezer with Freezer at Bottom, 177.2 x 55.8 cm KI86SAF30

### Features

#### Consumption

- Energy efficiency class: A++
- Total net capacity: 265 litres
- Noise level dB(A) re 1 pW: 36

#### Design

- Internal LED lights in fridge section

#### Comfort and Safety

- Touchcontrol- Electronic - 7 segment electronic control
- freshSense - constant temperature by intelligent sensor technology
- Super cool function
- Super freezing with automatic switch off
- Holiday mode
- 
- Acoustic warning system

#### Fridge Section

- Net capacity refrigeration zone: 191 l
- 5 safety glass shelves (4 height adjustable)
- 5 door bins, 1 dairy compartment5 door bins, there of 1x dairy compartment

#### Freshness System

- 1 cont. VitaFresh box with humidity control - keeps fruit and vegetables fresher for twice as long

#### Freezer Section

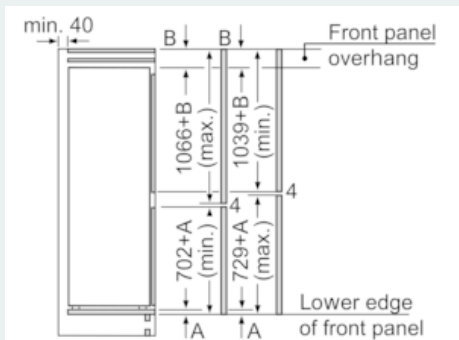
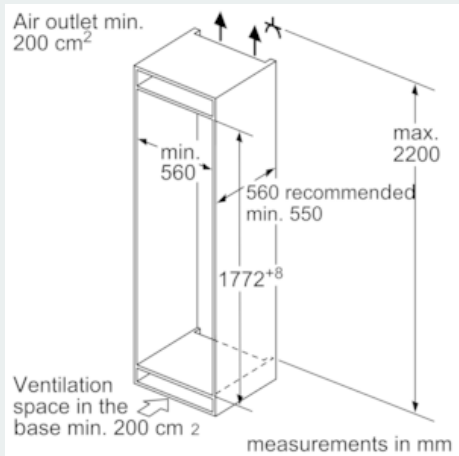
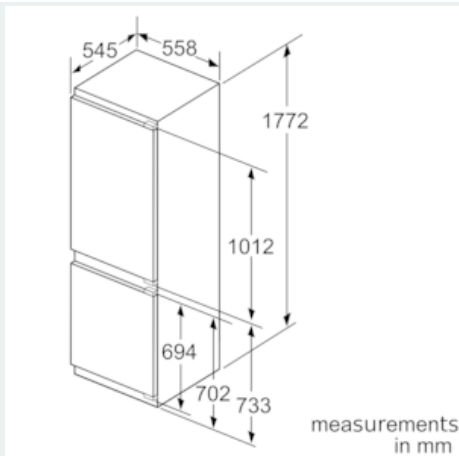
- Net freezer capacity 74 litres
- Freezing capacity: 7 kg in 24 hours
- Storage time in power failure: 32 Hours
- Safety glass
- 3 transparent freezer drawers, whereof 1 extra large Big Box drawer
- Calendar frozen food

#### APPLIANCE DIMENSION

- Dimensions: H 177.2 cm x L 55.8 cm x D 54.5 cm
- Niche Dimension H X W x D: 177.5 cm x 56 cm x 55 cm

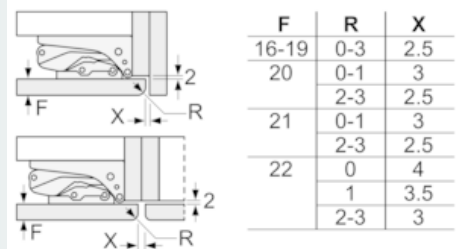
**iQ500, Built-in Fridge-freezer with Freezer at Bottom, 177.2 x 55.8 cm  
KI86SAF30**

Dimensioned drawings



The specified unit door dimensions are valid for a door gap of 4 mm.

measurements in mm  
Recommended gap dimensions for flat hinges



The gap dimensions recommended in the table must be adhered to in order to ensure that appliance doors do not collide with anything when they are opened, and to avoid causing damage to kitchen units.