

**Series 4, French Door Bottom freezer, multi door, 183 x 90.5 cm, Brushed steel anti-fingerprint KFN96VPEA**



**The No Frost French Door bottom freezer with VitaFresh XXL <0°C>: keeps your foods fresh and vitamin-rich for longer.**

- **VitaFresh XXL <0°C>**: keeps food fresh for longer in extra-large climate-controlled fridge drawers.
- **XXL capacity**: extra space for your food when you need it.
- **LED lighting**: keep your groceries in perfect view.
- **Big Box drawer**: for stacking storage containers or for large frozen food items.
- **Super Cooling function**: cools new food placed inside faster, thus protecting already cooled food.

Energy Efficiency Class (Regulation (EU) 2017/1369):	..... E
Average annual energy consumption in kilowatt hour per year (kWh/a) (EU) 2017/1369:	.....333 kWh/annum
Sum of volume of frozen compartments (EU 2017/1369):	..... 200 l
Sum of volume of chill compartments:	..... 405 l
Airborne acoustical noise emissions :	.....38 dB(A) re 1pW
Airborne acoustical noise emission class (EU 2017/1369):	..... C
Built-in / Free-standing:	.....Free-standing
Number of compressors:	..... 1
Number of independent cooling systems:	..... 1
Width of the appliance:	.....905 mm
Height:	..... 1830 mm
Depth:	.....731 mm
Net weight:	.....117.3 kg
Door panel options:	..... Not possible
Door hinge:	.....left and right
Number of Adjustable Shelves in fridge compartment:	..... 2
Shelves for Bottles:	..... No
No Frost free system:	..... Freezer
Interior ventilator:	..... Yes
Reversible Door Hinge:	..... No
Length electrical supply cord:	..... 240.0 cm
Fuse protection:	.....10 A
Voltage:	..... 220-240 V
Frequency:	..... 50-60 Hz
Storage Period in Event of Power Failure (h):	..... 15 h



## **Series 4, French Door Bottom freezer, multi door, 183 x 90.5 cm, Brushed steel anti-fingerprint KFN96VPEA**

### **The No Frost French Door bottom freezer with VitaFresh XXL <0°C>: keeps your foods fresh and vitamin-rich for longer.**

#### **Consumption**

- Total Volume : 605 l
- Net Fridge Volume : 405 l
- Net Freezer Volume : 200 l
- Freezing capacity 24h : 13 kg
- Annual Energy Consumption: 333 kWh/a
- Climate Class: SN-T
- yes
- Noise Level : 38 dB
- Temperature rise time : 15 H

#### **Design**

- Doors inox EasyClean, side panels Steel Look
- Standard door
- Internal LED lights in fridge section
- Interior with metal applications

#### **Comfort and Safety**

- Electronic Controls
- Supercool function
- Frost free - never again defrosting
- Auto defrost
- acoustic for Fridge and Freeze, Optical warning system
- Acoustic warning system, Optical warning system

#### **Fridge Section**

- Multi Airflow-System
- 3 safety glass shelves of which 2 are height adjustable.
- 2 door shelf large, 2 door shelf small
- none/0
- Dairy compartment

#### **Freshness System**

#### **Freezer Section**

- 6 transparent freezer drawers
- Ice cube tray
- none in freezer section

#### **APPLIANCE DIMENSION**

- Dimensions: H 183 cm x L 90.5 cm x D 73.1 cm

#### **TECHNICAL INFORMATION**

- 4 wheels for easier transport, 3 of them height adjustable.
- Rated Voltage 220 - 240 V

#### **Standard Accessories**

- 3 x egg tray, 1 x ice cube tray

#### **Country Specific Options**

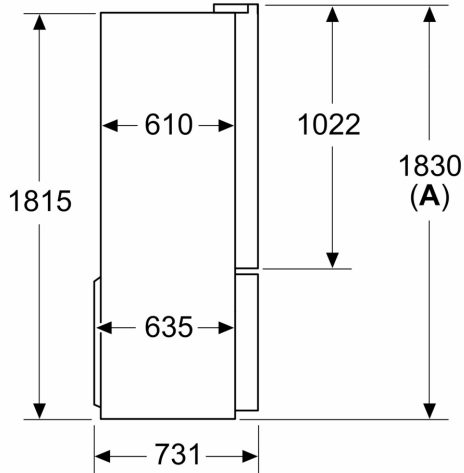
- Based on the results of the standard 25-hour test. Actual

consumption depends on usage/position of the appliance.

- To achieve the declared energy consumption, the attached distanceholders have to be used. As a result, the appliance depth increases by about 3.5 cm. The appliance used without the distance holder is fully functional, but has a slightly higher energy consumption.
- Net 4\* compartment volume : 200 l
- 3 safety glass shelves (2 height adjustable)
- Acoustic Warning System
- 2 door trays
- Internal LED lights

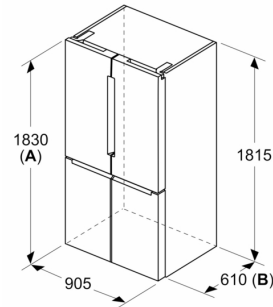
**Series 4, French Door Bottom  
freezer, multi door, 183 x 90.5 cm,  
Brushed steel anti-fingerprint  
KFN96VPEA**

Measurements in mm



**A:** Front is adjustable 1830–1847 mm, with front levelling feet fully extended

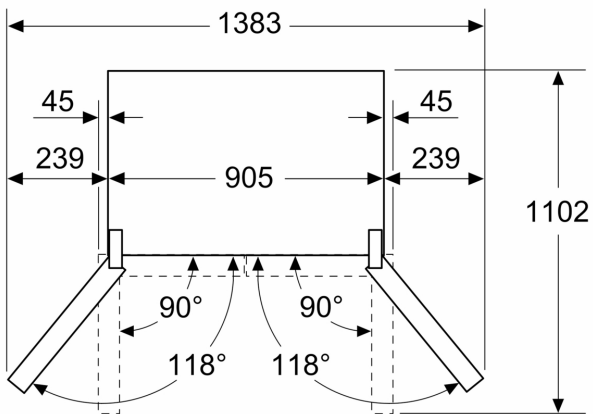
Measurements in mm



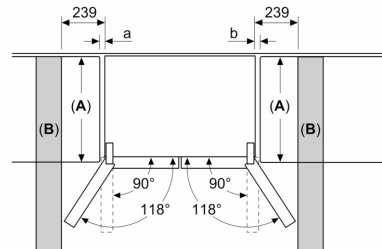
**A:** Front is adjustable 1830–1847 mm, with front levelling feet fully extended

**B:** Add 25 mm for fixed spacers on back

Measurements in mm



Measurements in mm



A	a	b
≤ 600	0	0
600 < A ≤ 650	45	45
650 < A ≤ 700	60	60
> 700	239	239

**A:** Kitchen cabinet or worktop depth

**B:** Wall  
Drawers can be pulled and taken out with door open to 90°