

**iQ700, French Door Bottom Freezer Multidoor, 183 x 90.5 cm, Black  
KF96RSBEA**



The No Frost French Door bottom freezer: keeps your foods fresh and elegantly chills your drinks.

- ✓ Beverage drawer – One smart compartment to indulge your finest drinks.
- ✓ Proximity sensor – Presents your beverages in the best light.
- ✓ Intelligent Inverter Compressor provides better temperature control and efficient performance.
- ✓ Fully illuminated glass backwall with multiAirflow – Elegant illumination, even cooling.
- ✓ A+ energy class refrigerator consumes %20 less energy than A energy class.

Energy Efficiency Class (Regulation (EU) 2017/1369):	..... E
Average annual energy consumption in kilowatt hour per year (kWh/a) (EU) 2017/1369:	..... 320 kWh/annum
Sum of volume of frozen compartments (EU 2017/1369):	..... 171 l
Sum of volume of chill compartments:	..... 401 l
Airborne acoustical noise emissions :	..... 39 dB(A) re 1pW
Airborne acoustical noise emission class (EU 2017/1369):	..... C
Design:	..... Free-standing
Number of compressors:	..... 2
Number of independent cooling systems:	..... 2
Width of the appliance:	..... 905 mm
Height:	..... 1830 mm
Depth:	..... 736 mm
Net weight:	..... 172.7 kg
Door panel options:	..... Not possible
Door opening:	..... Other
Number of Adjustable Shelves in fridge compartment:	..... 4
Shelves for Bottles:	..... No
Frost free system:	..... Freezer
Interior ventilator:	..... Yes
Reversible Door Hinge:	..... No
Length electrical supply cord:	..... 240.0 cm
Fuse protection:	..... 10 A
Voltage:	..... 220-240 V
Frequency:	..... 50-60 Hz
Storage Period in Event of Power Failure (h):	..... 18 h



# iQ700, French Door Bottom Freezer Multidoor, 183 x 90.5 cm, Black KF96RSBEA

## Consumption

- Total Volume : 572 l
- Net Fridge Volume : 401 l
- Net Freezer Volume : 171 l
- Net 4\* compartment volume : 171 l
- Freezing capacity 24h : 14 kg
- Annual Energy Consumption: 320 kWh/a
- Climate Class: SN-T
- Noise Level : 39 dB

## Design

- Doors Black, side panels cast iron
- Glass door
- Internal LED lights in fridge section
- Lightning backwall
- Light position in cooler: Top and backwall and side
- Interior with metal applications

## Comfort and Safety

- 7 segment electronic control
- Super cool function
- Automatic defrost
- Holiday mode
- Acoustic warning system, Optical warning system
- Optical warning system, Optical warning system

## Fridge Section

- Multi Airflow-System
- 5 safety glass shelves of which 4 is height adjustable
- 2 door shelf large, 3 door shelf small
- none/0
- Dairy compartment

## Freshness System

- 1 vegetable container on rails

## Freezer Section

- 3 transparent freezer drawers
- Easy twist ice box
- yes

## WINE SECTION

- Beverage Center with pre-defined temperature settings and option for individual settings through Home Connect App: J

## APPLIANCE DIMENSION

- Dimensions: H 183 cm x L 90.5 cm x D 73.6 cm

## TECHNICAL INFORMATION

- 4 wheels for easier transport, 3 of them height adjustable.

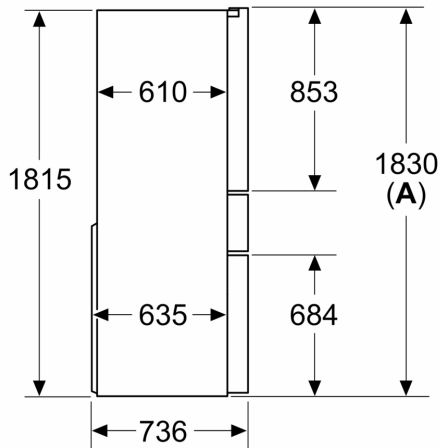
## Standard Accessories

## Country Specific Options

- Based on the results of the standard 25-hour test. Actual consumption depends on usage/position of the appliance.
- To achieve the declared energy consumption, the attached distanceholders have to be used. As a result, the appliance depth increases by about 3.5 cm. The appliance used without the distance holder is fully functional, but has a slightly higher energy consumption.
- Rated Voltage 220 - 240 V

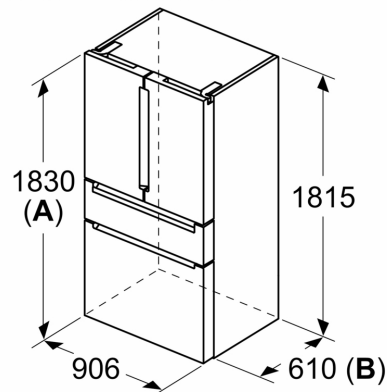
**iQ700, French Door Bottom  
Freezer Multidoor, 183 x 90.5 cm,  
Black  
KF96RSBEA**

Measurements in mm



**A:** Front is adjustable from 1830 to 1847 mm, with front levelling feet fully extended

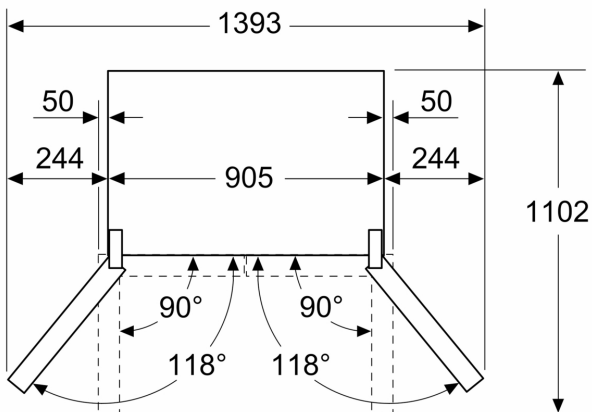
Measurements in mm



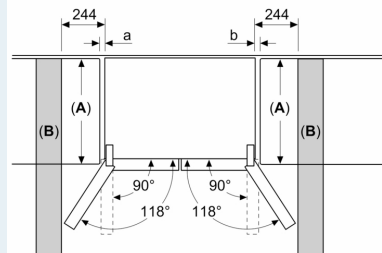
**A:** Front is adjustable from 1830 to 1847 mm, with front levelling feet fully extended

**B:** Add 25 mm for fixed spacers on back

Measurements in mm



Measurements in mm



A	a	b
≤ 600	0	0
600 < A ≤ 650	50	50
650 < A ≤ 700	65	65
> 700	244	244

**A:** Kitchen cabinet or worktop depth

**B:** Wall  
Drawers can be pulled and taken out with door open to 90°