

**Series 4, Side-by-Side Fridge, 178.7 x 90.8 cm, Inox-look KAN93VL30N**



**A++**



- **A++ energy class refrigerator consumes 40% less energy than A energy class.**
- **XXL capacity: extra space for your food when you need it.**
- **Intelligent Inverter Technology ensures a stable temperature control and efficient performance.**
- **Super Cooling function: cools new food placed inside faster, thus protecting already cooled food.**
- **LED lighting: keep your groceries in perfect view.**

---

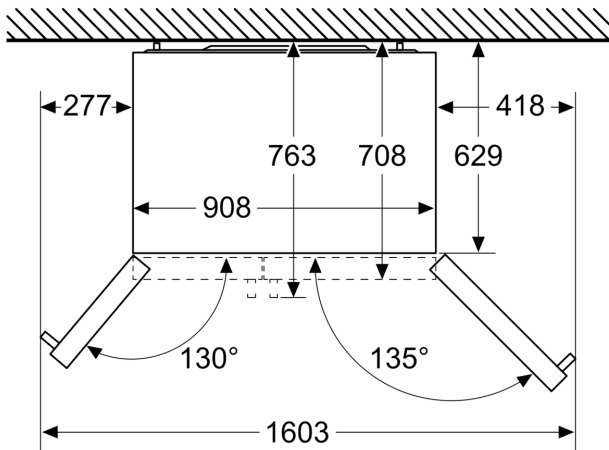
Built-in / Free-standing: .....	Free-standing
Number of compressors: .....	1
Number of independent cooling systems: .....	1
Width of the appliance: .....	908 mm
Height: .....	1787 mm
Depth: .....	707 mm
Net weight: .....	99.2 kg
Min. required niche size for installation (HxWxD): .....	mm
Door panel options: .....	Not possible
Door hinge: .....	left and right
Number of Adjustable Shelves in fridge compartment: .....	0
Shelves for Bottles: .....	No
Frost free system: .....	Freezer
Interior ventilator: .....	No
Reversible Door Hinge: .....	No
Length electrical supply cord: .....	170.0 cm
Noise level: .....	42 dB(A) re 1 pW
Connection rating: .....	240 W
Fuse protection: .....	10 A
Voltage: .....	220-240 V
Frequency: .....	50-60 Hz
Energy efficiency class:	
Energy consumption annual - NEW (2010/30/EC): .....	363.00 kWh/annum
Refrigerator Net capacity - NEW (2010/30/EC): .....	371 l
Freezer Net capacity - NEW (2010/30/EC): .....	189 l
Energy consumption: .....	kWh
Freezing capacity) - NEW (2010/30/EC): .....	12 kg/24h
Freezing capacity: .....	kg
Storage Period in Event of Power Failure (h): .....	4 h
Included accessories: .....	1 x egg tray

---

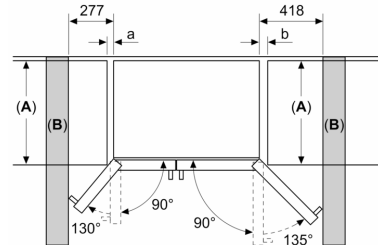


**Series 4, Side-by-Side Fridge, 178.7 x 90.8 cm, Inox-look  
KAN93VL30N**

Measurements in mm



Measurements in mm



A	a	b
≤ 600	50	50
600 < A ≤ 650	50	50
650 < A ≤ 700	53	96
> 700	277	418

**A:** Kitchen cabinet or worktop depth

**B:** Wall  
Drawers can be pulled out with door open to 90°

Drawers can be taken out with door completely opened

Measurements in mm

