

Connecting strip HZ394301



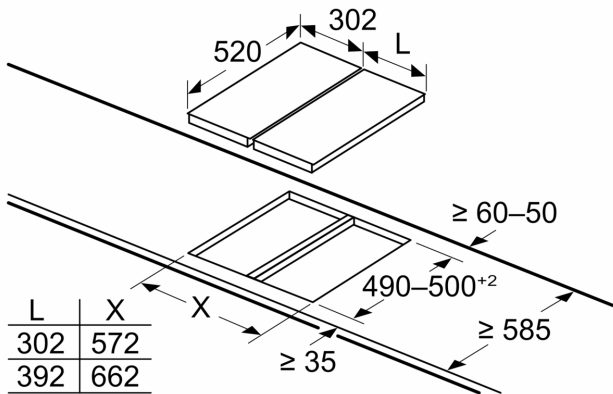
- ✓ For an adjoining installation of dominos or dominos beside bigger hobs with Top Design
- ✓ The connection strip is invisible after installation of the system
- ✓ Usable for all kind of worktop materials
- ✓ Usable for 49cm and 50cm cut-out depth

Dimensions of the packed product (HxWxD): 65 x 155 x 605 mm
Pallet dimensions: 114.0 x 80.0 x 120.0
Standard number of units per pallet: 150
Net weight: 0.5 kg
Gross weight: 0.7 kg
EAN code: 4242003421093



Connecting strip
HZ394301

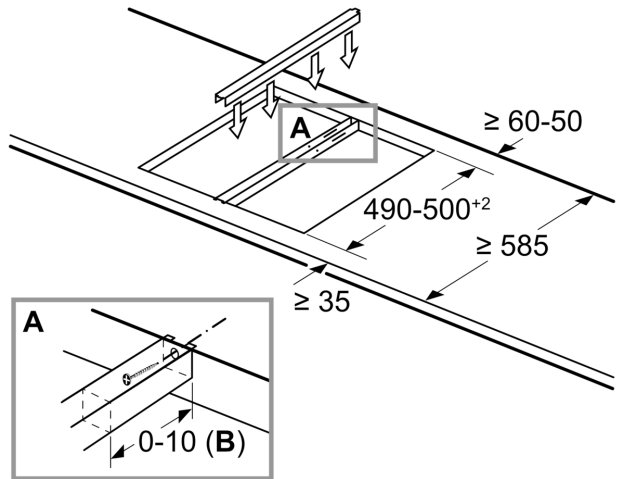
Measurements in mm



| L | X |
|-----|-----|
| 302 | 572 |
| 392 | 662 |

If two or more elements are installed right next to one another, one or several installation kits are required (2 elements 1 installation kit, 3 elements 2 installation kits, etc.)

measurements in mm
Assembly kit (HZ394301) for Domino



B: Dependent on the cut-out depth