

Series 4, Built-in Steam Oven, 60 x 60 cm, Stainless steel HUA736ER0Z



The built-in oven with added steam: achieve delicious baking results thanks to hotair steam heating mode.

- **Thanks to Air Fry Grill Tray, you can cook foods using less oil.**
- **AutoPilot 10:** every dish is a perfect success thanks to 10 pre-set automatic programmes.
- **3D Hotair:** even heat distribution for perfect results on up to three levels.
- **EcoClean Direct:** almost no cleaning is necessary thanks to a special coating of the rear wall that automatically absorbs grime.
- **Cleaning Assistance:** less cleaning effort

1 x combination grid, 1 x universal pan, 1 x air fry & grill tray

HEZ327000	Pizza stone
HEZ530000	Half tray
HEZ638000	Full ext rails, level independent
HEZ660050	Cover Strip
HEZ634000	Baking and roasting grid

Built-in / Free-standing: Built-in
 Integrated Cleaning system: EcoClean Direct program, Hydrolytic
 Required niche size for installation (HxWxD): 585-595 x 560-568 x 550 mm
 Dimensions: 595x594x548 mm
 Dimensions of the packed product (HxWxD): 670x665x685 mm
 Control Panel Material: metal lacquered
 Door Material: Glass
 Net weight: 31.6 kg
 Usable volume of cavity: 76 l
 Heating modes: Air fry, Full width grill, Hotair gentle, Hot Air, Conventional heat, Pizza setting, Bottom heat
 Length electrical supply cord: 120 cm
 EAN code: 4242005495283
 Number of cavities (2010/30/EC): 1
 Energy efficiency class: A
 Energy consumption per cycle conventional (2010/30/EC): 0.98 kWh/cycle
 Energy consumption per cycle forced air convection (2010/30/EC): 83 kWh/cycle
 Energy efficiency index (2010/30/EC): 95.4 %
 Connection rating: 3400 W
 Fuse protection: 16 A
 Voltage: 220-240 V
 Frequency: 50; 60 Hz
 Plug type: South Africa plug
 Included accessories: 1 x combination grid, 1 x universal pan, 1 x air fry & grill tray



Series 4, Built-in Steam Oven, 60 x 60 cm, Stainless steel HUA736ER0Z

550 mm

- "Please reference the built-in dimensions provided in the installation drawing"

**The built-in oven with added steam:
achieve delicious baking results thanks to
hotair steam heating mode.**

Type of oven / heating system:

- Oven with 8 heating methods: Hot air cooking, Conventional top and bottom heat, Variable full width grill, Pizza setting, Bottom heat, Hotair gentle, hot air + steam
- Temperature range 50 °C - 275 °C
- Cavity volume: 76 l

Hook-in racks / rails

- Number of shelf levels: 5 PC
- 1 level telescopic shelf

Design:

- Rotary Control
- Cavity inner surface: enamel anthracite
- Extra large capacity oven

Cleaning:

- Ecolyse features: back panel
- hydrolyse program

Comfort:

- Electronic clock
- Heating-up control
- automatic programmes, 10
- bar handle
- Supporting systems: Programs
- Halogen interior lighting
- Water bowl with a volume of 250 ml
- Integral cooling fan

Accessory:

- 1 x air fry & grill tray, 1 x combination grid, 1 x universal pan

Comfort and Safety:

- Safety lock
- residual heat indicator

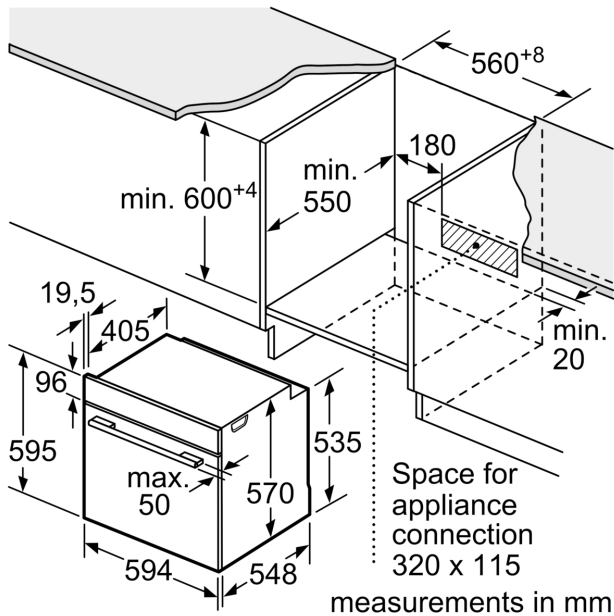
Technical Info:

- Length of mains cable: 120 cm
- Nominal voltage: 220 - 240 V
- Total connected load electric: 3.4 kW
- Energy efficiency rating (acc. EU Nr. 65/2014): A
- Energy consumption per cycle in conventional mode: 0.98 kWh
- Energy consumption per cycle in fan-forced convection mode: 0.83 kWh
- Number of cavities: 1
- Heat source: electrical
- Cavity volume: 76 l

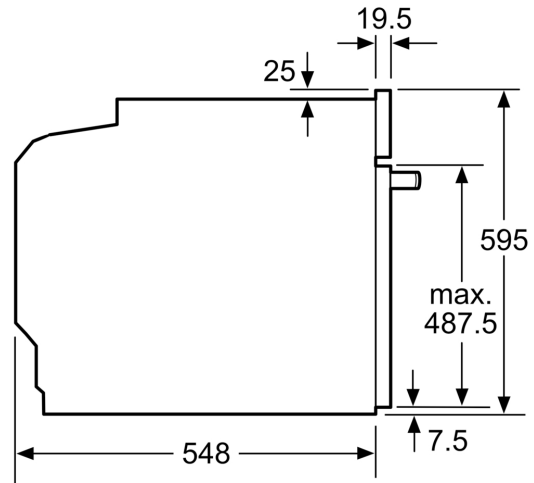
Dimensions:

- Appliance dimension (hxwxh): 595 mm x 594 mm x 548 mm
- Niche dimension (hxwxh): 560 mm - 568 mm x 585 mm - 595 mm x

Series 4, Built-in Steam Oven, 60 x 60 cm, Stainless steel
HUA736ER0Z

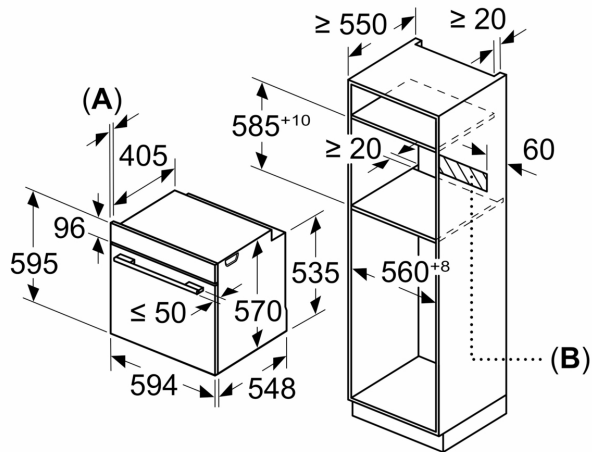


measurements in mm



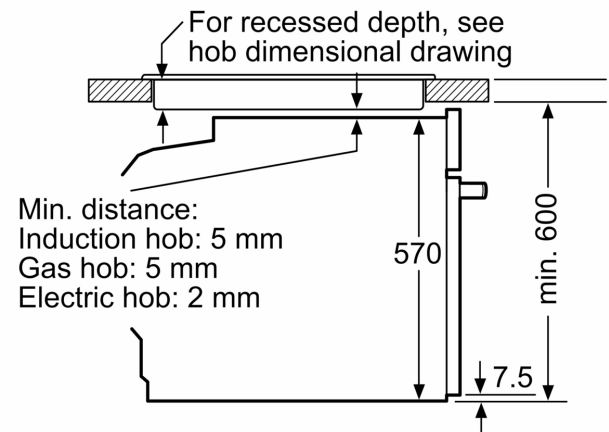
measurements in mm

Measurements in mm



A: 19.5 mm
B: Space for appliance connection 320 x 115 mm

Installation with a hob.



Min. distance:
 Induction hob: 5 mm
 Gas hob: 5 mm
 Electric hob: 2 mm

measurements in mm