

**Series 4, Built-in Steam Oven, 60 x 60 cm, Black stainless steel HUA736EG0Z**



1 x combination grid, 1 x universal pan, 1 x air fry & grill tray

- HEZ634000 Baking and roasting grid
- HEZ638000 Full ext rails, level independent
- HEZ660050 Cover Strip
- HEZ327000 Pizza stone
- HEZ530000 Half tray

**The built-in oven with added steam: achieve delicious baking results thanks to hotair steam heating mode.**

- **Thanks to Air Fry Grill Tray, you can cook foods using less oil.**
- **3D Hotair:** even heat distribution for perfect results on up to three levels.
- **AutoPilot 10:** every dish is a perfect success thanks to 10 pre-set automatic programmes.
- **Added steam function:** by adding steam, baked food turn out crispy on the outside and fluffy on the inside.
- **EcoClean Direct:** almost no cleaning is necessary thanks to a special coating of the rear wall that automatically absorbs grime.

Built-in / Free-standing: ..... Built-in  
 Integrated Cleaning system: ..... EcoClean Direct program, Hydrolytic  
 Required niche size for installation (HxWxD): ....585-595 x 560-568 x 550 mm  
 Dimensions: ..... 595x594x548 mm  
 Dimensions of the packed product (HxWxD): .....670x665x685 mm  
 Control Panel Material: ..... metal lacquered  
 Door Material: ..... Glass  
 Net weight: .....31.6 kg  
 Usable volume of cavity: ..... 76 l  
 Heating modes:: ..... Air fry, Full width grill, Hotair gentle, Hot Air, Conventional heat, Pizza setting, Bottom heat  
 Length electrical supply cord: ..... 120 cm  
 EAN code: .....4242005495290  
 Number of cavities (2010/30/EC): ..... 1  
 Energy efficiency class: .....A  
 Energy consumption per cycle conventional (2010/30/EC): .....0.98 kWh/cycle  
 Energy consumption per cycle forced air convection (2010/30/EC):83 kWh/cycle  
 Energy efficiency index (2010/30/EC): .....95.4 %  
 Connection rating: ..... 3400 W  
 Fuse protection: .....16 A  
 Voltage: ..... 220-240 V  
 Frequency: ..... 50; 60 Hz  
 Plug type: ..... South Africa plug  
 Included accessories: 1 x combination grid, 1 x universal pan, 1 x air fry & grill tray



## Series 4, Built-in Steam Oven, 60 x 60 cm, Black stainless steel HUA736EG0Z

550 mm

- "Please reference the built-in dimensions provided in the installation drawing"

**The built-in oven with added steam:  
achieve delicious baking results thanks to  
hotair steam heating mode.**

### Type of oven / heating system:

- Oven with 8 heating methods: Hot air cooking, Conventional top and bottom heat, Variable full width grill, Pizza setting, Bottom heat, Hotair gentle, hot air + steam
- Temperature range 50 °C - 275 °C
- Cavity volume: 76 l

### Hook-in racks / rails

- Number of shelf levels: 5 PC
- 1 level telescopic shelf

### Design:

- Rotary Control
- Cavity inner surface: enamel anthracite
- Extra large capacity oven

### Cleaning:

- Ecolyse features: back panel
- hydrolyse program

### Comfort:

- Electronic clock
- Heating-up control
- automatic programmes, 10
- bar handle
- Supporting systems: Programs
- Halogen interior lighting
- Water bowl with a volume of 250 ml
- Integral cooling fan

### Accessory:

- 1 x air fry & grill tray, 1 x combination grid, 1 x universal pan

### Comfort and Safety:

- Safety lock
- residual heat indicator

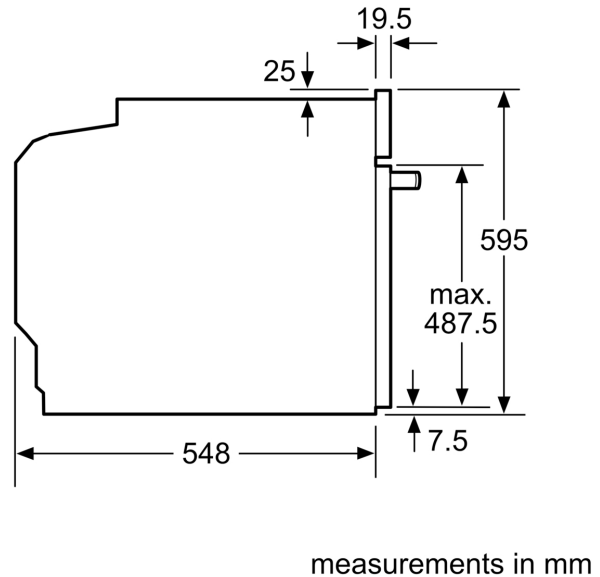
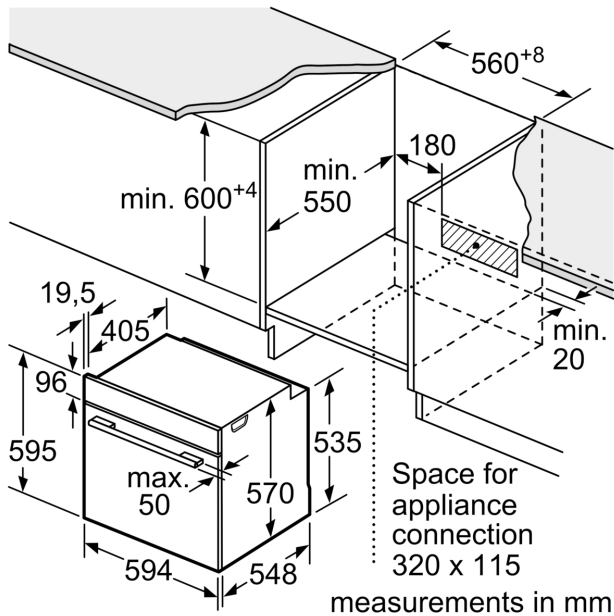
### Technical Info:

- Length of mains cable: 120 cm
- Nominal voltage: 220 - 240 V
- Total connected load electric: 3.4 kW
- Energy efficiency rating (acc. EU Nr. 65/2014): A
- Energy consumption per cycle in conventional mode: 0.98 kWh
- Energy consumption per cycle in fan-forced convection mode: 0.83 kWh
- Number of cavities: 1
- Heat source: electrical
- Cavity volume: 76 l

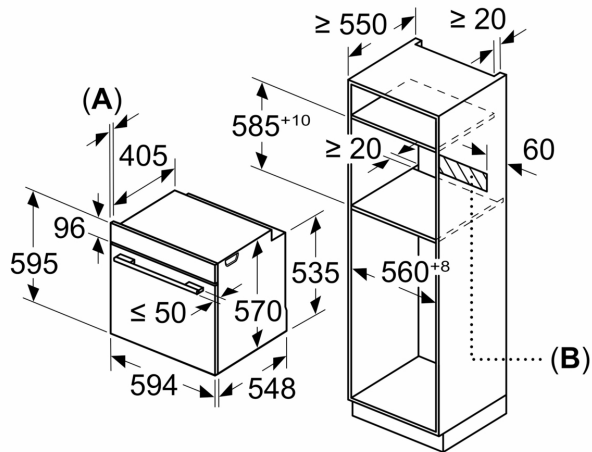
### Dimensions:

- Appliance dimension (hxwxh): 595 mm x 594 mm x 548 mm
- Niche dimension (hxwxh): 560 mm - 568 mm x 585 mm - 595 mm x

**Series 4, Built-in Steam Oven, 60 x 60 cm, Black stainless steel  
HUA736EG0Z**



Measurements in mm



**A:** 19.5 mm  
**B:** Space for appliance connection 320 x 115 mm

Installation with a hob.

