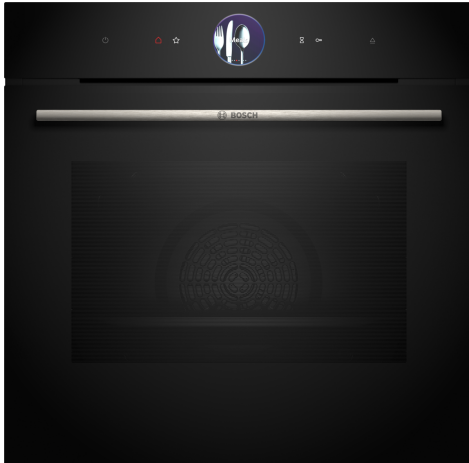


Series 8, Built-in oven with steam function, 60 x 60 cm, Black HSG7361B1



The built-in steam oven with Digital Control Ring and TFT-touchdisplay. Assist function for meals: perfect baking, moist steam baking and gentle steaming. Home Connect for control via the App.

- **Steam Function Plus:** for gentle, healthy food preparation at up to 120°C.
- **Air Fry Function:** for perfectly fried foods, such as vegetables and chips.
- **4D Hotair:** even heat distribution for perfect results – on any level.
- **Digital Control Ring:** the simple and innovative way to select oven settings.
- **TFT Touch Display Plus:** control with an innovative Digital Control Ring and enlarged TFT touchscreen

1 x enamel baking tray, 1 x grid, 1 x universal pan, 1 x steam container, size XL, punched, 1 x Steam container, unpunched, size M

HEZ633073 Professional pan, enamelled, HEZ635001 AirFry & Grill Set, HEZ636000 Glass pan, HEZ638D00 Full ext rails, level independent, steam, HEZ660060 Strip, HEZ664000 Baking and roasting grid (steam), HEZ66D52 2 steamcontainer(punched/unpunched)sizeM, HEZ915003 Glass roasting dish, 5,4 L, HEZ32WA00 Wireless food thermometer, HEZ530000 Half tray, HEZ531010 Baking tray, non-stick ceramic coated, HEZ532010 Universal pan, non-stick ceramic coated, HEZ617000 Pizza pan, enamelled, HEZ629070 Air Fry & Grill tray, HEZ631070 Baking tray, enamelled, HEZ632070 Multipurpose pan, enamelled, HEZ633001 Lid for professional pan, enamelled, HEZ633070 Professional pan, enamelled, HEZG0AS00 Connecting cable 3m

Built-in / Free-standing: Built-in
 Door opening: Drop down
 Min. required niche size for installation (HxWxD): 585-595 x 560-568 x 550 mm
 Dimensions: 595 x 594 x 548 mm
 Dimensions of the packed product (HxWxD): 675 x 660 x 690 mm
 Control Panel Material: Glass
 Door Material: Glass
 Net weight: 40.5 kg
 Length electrical supply cord: 120.0 cm
 EAN code: 4242005327188
 Fuse protection: 16 A
 Voltage: 220-240 V
 Frequency: 50; 60 Hz
 Plug type: Gardy plug w/ earthing
 Number of cavities (2010/30/EC): 1
 Usable volume (of cavity) - NEW (2010/30/EC): 71 l
 Energy efficiency class: A+
 Energy consumption per cycle conventional (2010/30/EC): 0.87 kWh/cycle
 Energy consumption per cycle forced air convection (2010/30/EC): 0.69 kWh/cycle
 Energy efficiency index (2010/30/EC): 81.2 %
 Included accessories: . 1 x enamel baking tray, 1 x grid, 1 x universal pan, 1 x steam container, punched, size XL, 1 x Steam container, punched, size M, 1 x Steam container, unpunched, size M



Series 8, Built-in oven with steam function, 60 x 60 cm, Black HSG7361B1

The built-in steam oven with Digital Control Ring and TFT-touchdisplay. Assist function for meals: perfect baking, moist steam baking and gentle steaming. Home Connect for control via the App.

Type of oven / heating system:

- Combi-steam oven with 21 heating methods: 4D hot air, Conventional top and bottom heat, Hot air grilling, Variable full width grill, Half width grill, Pizza setting, Bottom heat, low temperature cooking, Plate warming, Hold warm, Hotair gentle, Conventional heat gentle, steam 100%, regeneration, fermentation, defrost, Hot air grilling, warming, 4D Hot air, Conventional heat
- Temperature range 30 °C - 250 °C
- 120 °C
- Cavity volume: 71 l

Hook-in racks / rails

- Number of shelf levels: 5 PC
- Accessory

Design:

- Touch control
- Digital Control Ring
- Cavity inner surface: enamel anthracite

Cleaning:

- Ecolyse features: back panel
- hydrolyse program

Comfort:

- Oven Assistant with Voice Control
- Electronic clock
- Temperature proposal
- Actual temperature display Heating-up control
- Drop down door, soft closing, soft opening
- Supporting systems: Dish categories
- Rapid heating-up
- steam boost - add for 3min intensive steam with a touch of a button.
- There are different steam intensities selectable: steam level high, steam level middle, steam level low
- LED light, Switch for oven illumination
- Yes
- Integral cooling fan
- WLAN

Accessory:

- 1 x enamel baking tray, 1 x Steam container, punched, size M, 1 x steam container, punched, size XL, 1 x Steam container, unpunched, size M, 1 x grid, 1 x universal pan

Comfort and Safety:

- Maximum window temperature 40° C
- Triple glazed door CoolTouch door

- Safety lock
- Automatic safety shut off residual heat indicator start button door contact switch

Technical Info:

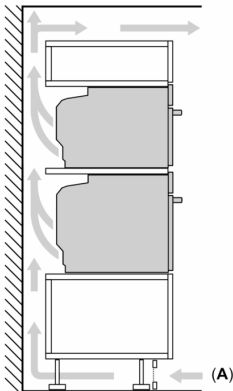
- Length of mains cable: 120 cm
- Nominal voltage: 220 - 240 V
- Total connected load electric: 3.6 KW
- Energy efficiency rating (acc. EU Nr. 65/2014): A+
- Energy consumption per cycle in conventional mode:0.87 kWh
- Energy consumption per cycle in fan-forced convection mode:0.69 kWh
- Number of cavities: 1 Heat source: electrical Cavity volume:71 l

Dimensions:

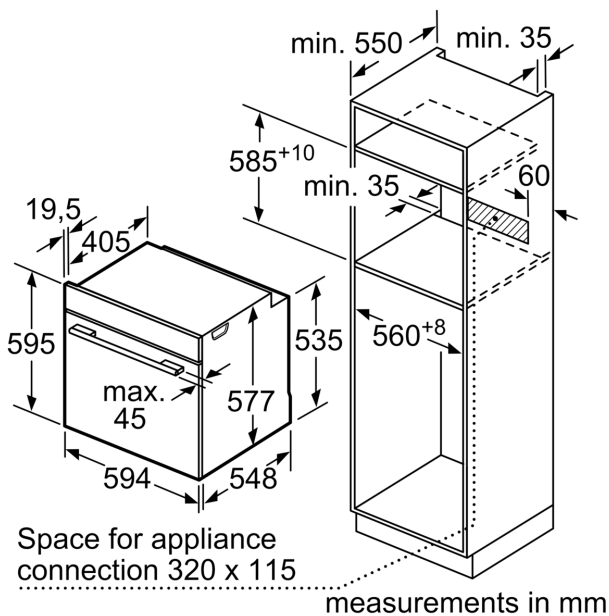
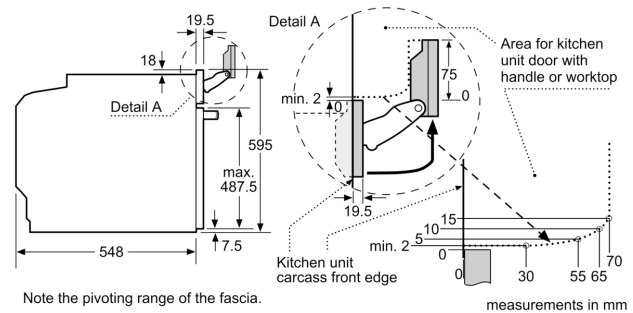
- Appliance dimension (hxwxh): 595 mm x 594 mm x 548 mm
- Niche dimension (hxwxh): 560 mm - 568 mm x 585 mm - 595 mm x 550 mm
- "Please reference the built-in dimensions provided in the installation drawing"

Series 8, Built-in oven with steam function, 60 x 60 cm, Black HSG7361B1

Installing two appliances on top of each other
Air exchange



A: Air inlet $\geq 200 \text{ cm}^2$



If the appliance will be installed underneath a hob, the following worktop thicknesses (including substructure if necessary) must be taken into account.

Hob type	min. worktop thickness	
	fitted	flush
Induction hob	37 mm	38 mm
Full surface Induction hob	47 mm	48 mm
Gas hob	30 mm	38 mm
Electric hob	27 mm	30 mm

