

**Series 4, Dual fuel range cooker,
Stainless steel
HSB734357Z**



B

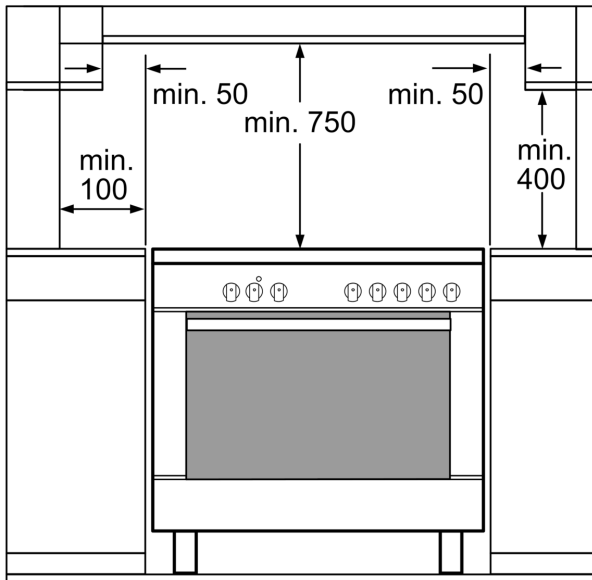
The electric Range Cooker with up to 8 heating modes and gas hob: lets you cook like a professional.

- **The stainless-steel gas cooktop:** its high quality and premium design lets you enjoy cooking longer.

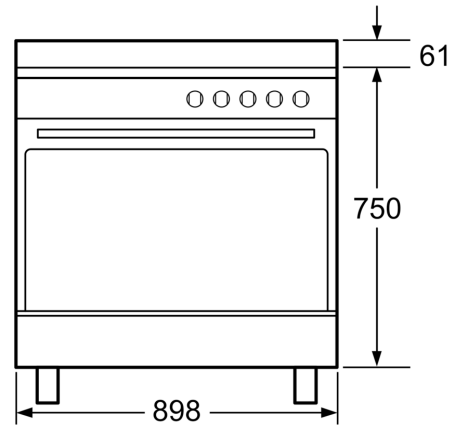
Built-in / Free-standing: Free-standing
 Dimensions: 846-880 x 898 x 600 mm
 Length electrical supply cord: 120.0 cm
 Net weight: 66.4 kg
 Gross weight: 76.4 kg
 EAN code: 4242002933122
 Number of cavities (2010/30/EC): 1
 Usable volume (of cavity) - NEW (2010/30/EC): 112 l
 Energy efficiency class: B
 Energy consumption per cycle conventional (2010/30/EC): 1.16 kWh/cycle
 Energy consumption per cycle forced air convection (2010/30/EC): 35 kWh/cycle
 Connection rating: 3200 W
 Fuse protection: 16 A
 Voltage: 220-240 V
 Frequency: 60; 50 Hz
 Plug type: No plug (electrical connection by electrician)



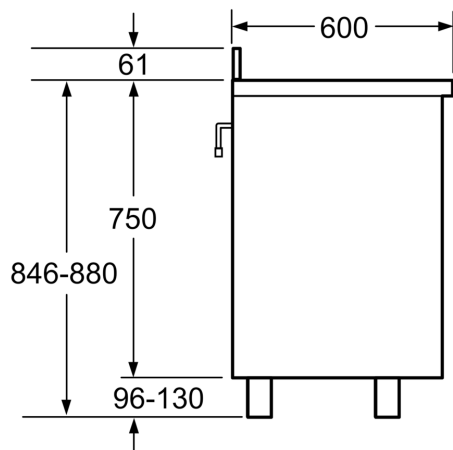
**Series 4, Dual fuel range cooker,
Stainless steel
HSB734357Z**



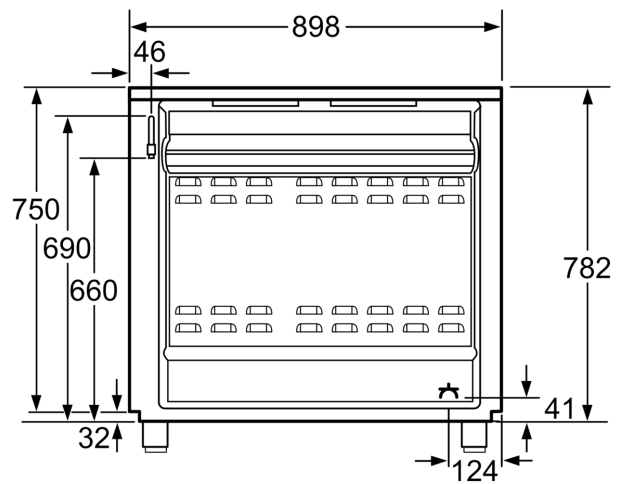
measurements in mm



measurements in mm



measurements in mm



measurements in mm