

iQ700, Built-in oven with steam function, 60 x 60 cm, Black HS958GDD1



A+



Shorten your cooking time thanks to fast preheat and coolStart. And remote your oven from anywhere with Home Connect.

- ✓ cookControl Pro – Excellent results, whatever the recipe or circumstances.
- ✓ fullSteam Plus with tap water connection - Easy steam cooking without refilling the water tank.
- ✓ 4D hotAir: flexible choice of shelf.
- ✓ Far less oven cleaning – ecoClean Plus.
- ✓ fastPreheat: reach the required baking temperature sooner; coolStart: no need to preheat the oven for deep frozen food.

Design: Built-in
 Door opening: Drop down
 Min. required niche size for installation (HxWxD): 585-595 x 560-568 x 550 mm
 Dimensions: 595 x 594 x 548 mm
 Dimensions of the packed product (HxWxD): ... 670 x 660 x 690 mm
 Control Panel Material: Glass
 Door Material: Glass
 Net weight: 45.2 kg
 Length electrical supply cord: 120.0 cm
 EAN code: 4242003902714
 Fuse protection: 16 A
 Voltage: 220-240 V
 Frequency: 50; 60 Hz
 Plug type: Gardy plug w/ earthing
 Number of cavities (2010/30/EC): 1
 Usable volume (of cavity) - NEW (2010/30/EC): 71 l
 Energy efficiency: A+: efficient
 Energy consumption per cycle conventional (2010/30/EC): 0.87 kWh/cycle
 Energy consumption per cycle forced air convection (2010/30/EC): 0.69 kWh/cycle
 Energy efficiency index (2010/30/EC): 81.2 %
 Included accessories: 1 x enamel baking tray, 1 x grid, 1 x universal pan, 1 x steam container, punched, size XL, 1 x sponge, 1 x Steam container, punched, size M, 1 x Steam container, unpunched, size M



- 1 x enamel baking tray
- 1 x grid
- 1 x universal pan
- 1 x steam container size XL
- 1 x sponge punched
- 1 x Steam container unpunched size M

HZ633073 Professional pan, enamelled, HZ635000 AirFry & Grill Set, HZ638D00 Full ext rails, level independent, steam, HZ664000 Baking and roasting grid (steam), HZ66D52 2 steamcontainer(punched/unpunched)sizeM, HZ66X650 Cover Strip, HZ6BMA00 Assembly kit for vertical installation, HZ915003 Glass roasting dish, 5,4 L, HZG0AS00 Connecting cable 3m, SZ72010 inlet and outlet hose extension 2 m, HZ32WA00 Wireless food thermometer, HZ530000 2 multipurpose pans, slim size, HZ531010 Baking tray, non-stick ceramic coated, HZ532010 Universal pan, non-stick ceramic coated, HZ617000 Pizza pan, enamelled, HZ629070 Air Fry & Grill tray, HZ631070 Baking tray, enamelled, HZ632070 Multipurpose pan, enamelled, HZ633001 Lid for professional pan, enamelled, HZ633070 Professional pan, enamelled

iQ700, Built-in oven with steam function, 60 x 60 cm, Black HS958GDD1

Type of oven / heating system:

- Combi-steam oven with 24 heating methods: 4D hot air, Conventional cooking, hot air grilling, Full width grill, Half width grill, Intensive hot air, Deep-frozen food special, Bottom heat, Intensive heat, low temperature cooking, Plate warming setting, Dehydrate, Hold warm setting, Hotair gentle, Conventional heat gentle, steam 100%, regeneration, fermentation, defrost, sous-vide cooking, Hot air grilling, warming, 4D Hot air, Conventional heat
- Temperature range 30 °C - 250 °C
- 120 °C
- Cavity volume: 71 l

Hook-in racks / rails

- Number of shelf levels: 5 PC
- full extension, Detend function, 1 Clip-on rail

Design:

- black Steel Design
- Touch control
- studioLine Glass handle
- Cavity inner surface: enamel anthracite

Cleaning:

- side: coating of ceiling, back panel, side liners
- hydrolyse program, ecolyse program

Comfort:

- Oven Assistant with Voice Control
- LED clock and automatic programmer
- Temperature proposal
- Actual temperature display Heating-up control
- Drop down door, soft closing, soft opening
- Supporting systems: Dish categories
- yes
- yes
- Rapid heating-up
- coolStart
- steam boost - add for 3min intensive steam with a touch of a button.
- There are different steam intensities selectable: steam level high, steam level middle, steam level low
- LED light, Independent oven interior light button
- Integral cooling fan
- WLAN

Accessory:

- 1 x enamel baking tray, 1 x Steam container, punched, size M, 1 x steam container, punched, size XL, 1 x Steam container, unpunched, size M, 1 x grid, 1 x sponge, 1 x universal pan

Comfort and Safety:

- Maximum window temperature 40° C
- Child safety button
- Automatic safety switch off residual heat indicator start button door

contact switch

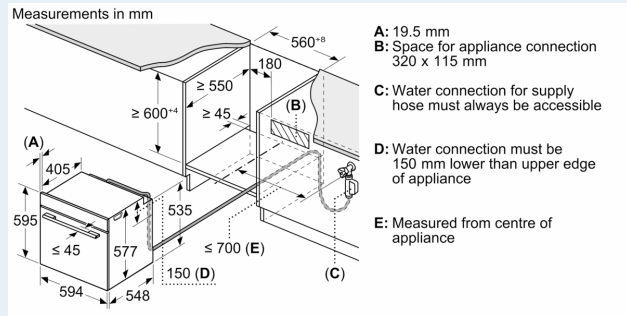
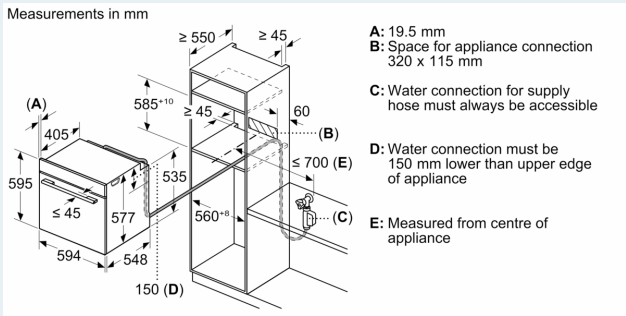
Technical Info:

- Length of mains cable: 120 cm
- Nominal voltage: 220 - 240 V
- Total connected load electric: 3.6 KW
- Energy efficiency rating (acc. EU Nr. 65/2014): A+
- Energy consumption per cycle in conventional mode:0.87 kWh
- Energy consumption per cycle in fan-forced convection mode:0.69 kWh
- Number of cavities: 1 Heat source: electrical Cavity volume:71 l

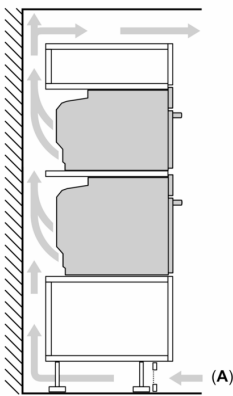
Dimensions:

- Appliance dimension (hxwx): 595 mm x 594 mm x 548 mm
- Niche dimension (hxwx): 560 mm - 568 mm x 585 mm - 595 mm x 550 mm
- "Please reference the built-in dimensions provided in the installation drawing"

iQ700, Built-in oven with steam function, 60 x 60 cm, Black HS958GDD1



Installing two appliances on top of each other
Air exchange



A: Air inlet $\geq 200 \text{ cm}^2$

If the appliance will be installed underneath a hob, the following worktop thicknesses (including substructure if necessary) must be taken into account.

Hob type	min. worktop thickness	
	fitted	flush
Induction hob	37 mm	38 mm
Full surface Induction hob	47 mm	48 mm
Gas hob	30 mm	38 mm
Electric hob	27 mm	30 mm

