

iQ700, Built-in oven with steam function, 60 x 60 cm, Stainless steel HS636GDS2



A+



1 x enamel baking tray, 1 x grid, 1 x universal pan, punched, size XL, 1 x steam container, unpunched, size S

HZ36D613 Steam container, unpunched, size S, HZ36D613G Steam container, punched, size S, HZ531010 Baking tray, non-stick ceramic coated, HZ532010 Universal pan, non-stick ceramic coated, HZ617000 Pizza pan, enamelled, HZ625071 Grill tray, enamelled, HZ631070 Baking tray, enamelled, HZ632070 Multipurpose pan, enamelled, HZ633001 Lid for professional pan, enamelled, HZ633070 Professional pan, enamelled, HZ636000 Glass pan, HZ638D30 3 level telescopic rails, full ext, steam, HZ664000 Baking and roasting grid (steam), HZ66X650 Cover Strip, HZ915003 Glass roasting dish, 5,4 L

Shorten your cooking time thanks to fast preheat and coolStart.

- ✓ Cook healthy, gently and naturally – fullSteam.
- ✓ 4D hotAir: flexible choice of shelf.
- ✓ cookControl Plus: guaranteed success for numerous dishes.
- ✓ roastingSensor Plus – Three-point thermometer for excellent roasts every time.
- ✓ fastPreheat: reach the required baking temperature sooner; coolStart: no need to preheat the oven for deep frozen food.

Technical specifications

Design: Built-in
 Door opening: Drop down
 Min. required niche size for installation (HxWxD): 585-595 x 560-568 x 550 mm
 Dimensions: 595 x 594 x 548 mm
 Dimensions of the packed product (HxWxD): ... 675 x 660 x 690 mm
 Control Panel Material: Stainless steel
 Door Material: Glass
 Net weight: 40.6 kg
 Length electrical supply cord: 120.0 cm
 EAN code: 4242003865743
 Fuse protection: 16 A
 Voltage: 220-240 V
 Frequency: 50; 60 Hz
 Plug type: Gardy plug w/ earthing
 Number of cavities (2010/30/EC): 1
 Usable volume (of cavity) - NEW (2010/30/EC): 71 l
 Energy efficiency: A+: efficient
 Energy consumption per cycle conventional (2010/30/EC): 0.87 kWh/cycle
 Energy consumption per cycle forced air convection (2010/30/EC): 0.69 kWh/cycle
 Energy efficiency index (2010/30/EC): 81.2 %
 Included accessories: 1 x enamel baking tray, 1 x grid, 1 x universal pan, 1 x steam container, punched, size S, 1 x steam container, punched, size XL, 1 x steam container, unpunched, size S



iQ700, Built-in oven with steam function, 60 x 60 cm, Stainless steel HS636GDS2

Type of oven / heating system:

- Combi-steam oven with 13 heating methods:
- 4D hot air, Hot Air-Eco, Conventional cooking, Conventional heat ECO, hot air grilling, Full width grill, Half width grill, Intensive hot air, Deep-frozen food special, Bottom heat, low temperature cooking, Plate warming setting, Hold warm setting
- Temperature range 30 °C - 250 °C
- Cavity volume: 71 l

Design:

- Cavity inner surface: enamel anthracite

Cleaning:

- Ecolyse features: back panel

Comfort:

- Additional functions:
- descaling programme
- autom. boiling point detection drying function
- Supporting systems: Dish categories
- multipoint temperature probe
- LED clock and automatic programmer
- Rapid heating-up
- LED light, Independent oven interior light button
- Water tank with 1 l
- Yes
- Integral cooling fan

Hook-in racks / rails

Accessory:

- 1 x enamel baking tray, 1 x steam container, punched, size S, 1 x steam container, punched, size XL, 1 x steam container, unpunched, size S, 1 x grid, 1 x universal pan

Comfort and Safety:

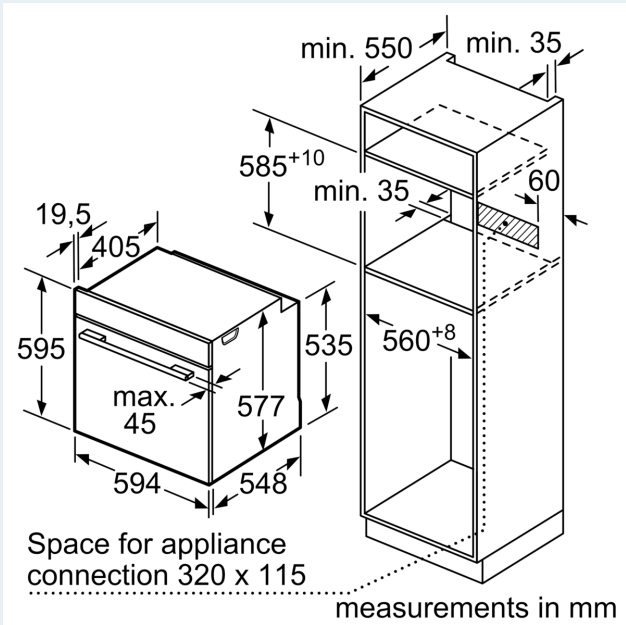
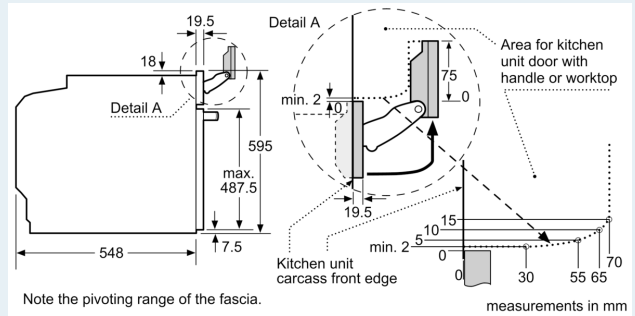
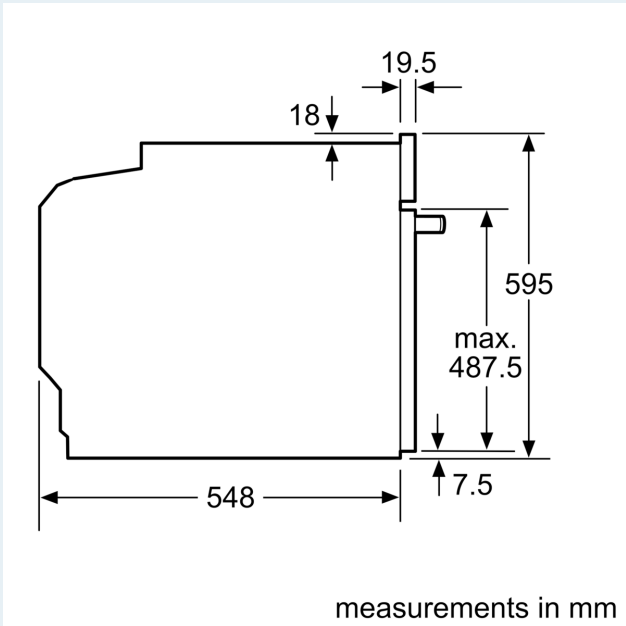
- Child safety button
- Automatic safety switch off residual heat indicator start button door contact switch

Technical Info:

- Length of mains cable: 120 cm
- Total connected load electric: 3.6 KW
- Appliance dimension (hxwx): 595 mm x 594 mm x 548 mm
- Niche dimension (hxwx): 560 mm - 568 mm x 585 mm - 595 mm x 550 mm
- "Please reference the built-in dimensions provided in the installation drawing"
- coolStart
- Rotary Control
- Drop down door, soft closing, soft opening
- Number of shelf levels: 5 PC

- Bar handle
- Maximum window temperature 40° C
- Energy efficiency rating (acc. EU Nr. 65/2014): A+
- Energy consumption per cycle in conventional mode: 0.87 kWh
- Energy consumption per cycle in fan-forced convection mode: 0.69 kWh
- Number of cavities: 1 Heat source: electrical Cavity volume: 71 l
- We recommend you to choose complementary products within iQ700, in order to assure an optimal design combination of your Built-In appliances.

iQ700, Built-in oven with steam function, 60 x 60 cm, Stainless steel
HS636GDS2



If the appliance will be installed underneath a hob, the following worktop thicknesses (including substructure if necessary) must be taken into account.

Hob type	min. worktop thickness	
	fitted	flush
Induction hob	37 mm	38 mm
Full surface Induction hob	47 mm	48 mm
Gas hob	30 mm	38 mm
Electric hob	27 mm	30 mm

