

iQ700, Built-in oven with steam function, 60 cm, HS636GDS1



- ✓ fastPreheat: reach the required baking temperature sooner; coolStart: no need to preheat the oven for deep frozen food.
- ✓ Cook healthy, gently and naturally – fullSteam.
- ✓ cookControl Plus: guaranteed success for numerous dishes.
- ✓ roastingSensor Plus: simply reliable roasting thanks to temperature measurement at three points simultaneously.
- ✓ TFT Touchdisplay: user-friendly menu navigation with good display features.

Features

Technical data

Built-in / Free-standing : Built-in
 Door opening : Drop down
 Required niche size for installation (HxWxD) : 585-595 x 560-568 x 550
 Dimensions : 595 x 594 x 548
 Dimensions of the packed product (HxWxD) (mm) : 675 x 660 x 690
 Control Panel Material : Stainless steel
 Door Material : Glass
 Net weight (kg) : 41.918
 Approval certificates : CE, VDE
 Length electrical supply cord (cm) : 120
 Cooking method : Bottom heat, Conventional heat, Defrost, fermentation, Full width grill, Half width grill, Hot Air-Eco, Hot air grilling, low temperature cooking, Pizza setting, pre-heating, Regeneration, Steam 100%, warming
 Current (A) : 16
 Voltage (V) : 220-240
 Frequency (Hz) : 60; 50
 Approval certificates : CE, VDE
 Energy input : Electric
 Current (A) : 16
 Voltage (V) : 220-240
 Frequency (Hz) : 60; 50
 Approval certificates : CE, VDE
 Net weight (lbs) : 92.000
 Gross weight (lbs) : 96.000

Optional accessories

HZ327000 Baking stone



**iQ700, Built-in oven with steam
function, 60 cm,
HS636GDS1**

Features

Type of oven / heating system:

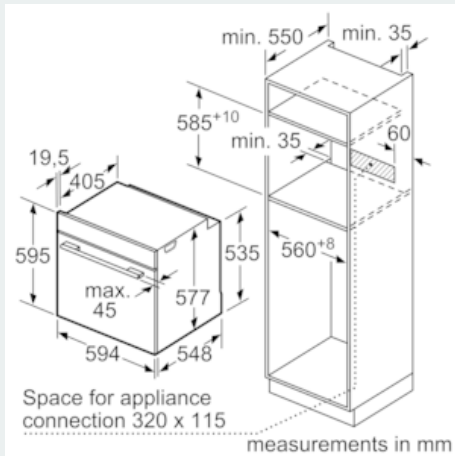
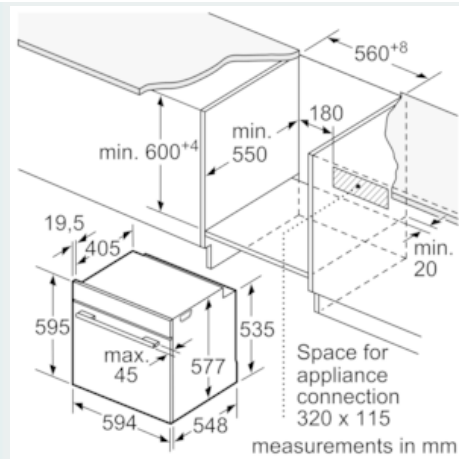
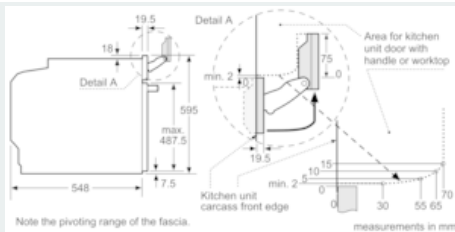
- Combi-steam oven with 13 heating methods: 4D hot air, Hot Air-Eco, Conventional cooking, Conventional heat ECO, hot air grilling, Full width grill, Half width grill, Intensive hot air, Deep-frozen food special, Bottom heat, low temperature cooking, Plate warming setting, Hold warm setting
- Additional heating methods with steam: steam 100%, regeneration, fermentation, defrost
- Temperature range 30 °C - 250 °C
- Cavity volume: 71 l
- Supporting systems: Dish categories
- multipoint temperature probe
- LED clock and automatic programmer
- Rapid heating-up
- LED light, Independent oven interior light button
- Water tank with 1 l

Comfort and Safety:

- Child safety button Automatic safety switch off residual heat indicator start button door contact switch

iQ700, Built-in oven with steam function, 60 cm, HS636GDS1

Dimensioned drawings



If the appliance will be installed underneath a hob, the following worktop thicknesses (including substructure if necessary) must be taken into account.

Hob type	min. worktop thickness	
	fitted	flush
Induction hob	37 mm	38 mm
Full surface Induction hob	47 mm	48 mm
Gas hob	30 mm	38 mm
Electric hob	27 mm	30 mm