


**iQ500, Dual fuel range cooker,
Stainless steel
HQ737357Z**



B

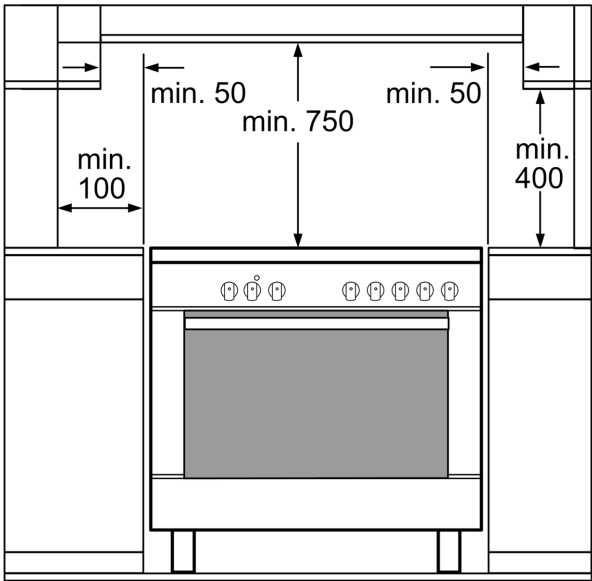
The professional range cooker with electric oven and gas cooktop.

Design: Free-standing
 Dimensions: 846-880 x 898 x 600 mm
 Length electrical supply cord: 120.0 cm
 Net weight: 71.9 kg
 Gross weight: 81.3 kg
 EAN code: 4242003751985
 Number of cavities (2010/30/EC): 1
 Usable volume (of cavity) - NEW (2010/30/EC): 112 l
 Energy efficiency: B
 Energy consumption per cycle conventional (2010/30/EC): 1.16 kWh/cycle
 Energy consumption per cycle forced air convection (2010/30/EC):
 1.35 kWh/cycle
 Connection rating: 3200 W
 Fuse protection: 16 A
 Voltage: 220-240 V
 Frequency: 60; 50 Hz
 Plug type: No plug
 (electrical connection by electrician)

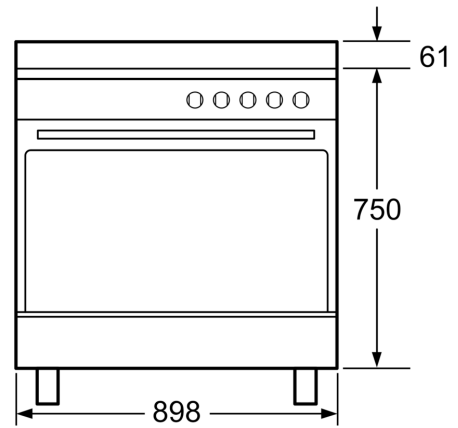


4 242003 751985

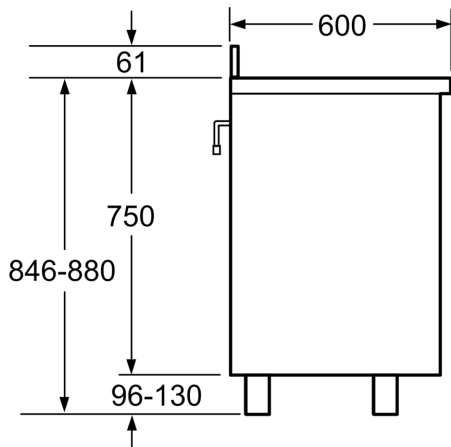
**iQ500, Dual fuel range cooker,
Stainless steel
HQ737357Z**



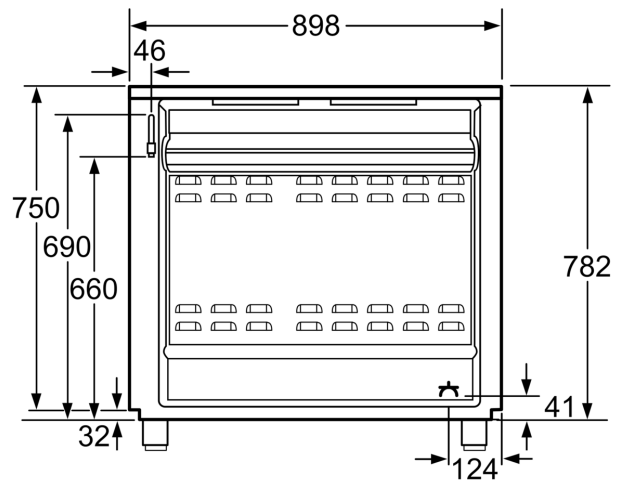
measurements in mm



measurements in mm



measurements in mm



measurements in mm