

**iQ700, Built-in Oven with Steam and Microwave Function, 60 x 60 cm, Stainless steel
HN678G4S1**



Shorten your cooking time thanks to varioSpeed, fast preheat and activeClean®.

- ✓ pulseSteam: for crispy crusts and juicy roasts.
- ✓ 4D hotAir: flexible choice of shelf.
- ✓ varioSpeed: reduce cooking times by up to 50%.
- ✓ roastingSensor Plus – Three-point thermometer for excellent roasts every time.
- ✓ cookControl Plus: guaranteed success for numerous dishes.

Additional Features: activeClean
 Type of control: Electronic
 Dimensions: 595 x 594 x 548 mm
 Cavity dimensions: 357.0 x 480 x 392.0 mm
 Length electrical supply cord: 120.0 cm
 Net weight: 48.5 kg
 Gross weight: 51.7 kg
 EAN code: 4242003658789
 Maximum Power: 800 W
 Connection rating: 3600 W
 Fuse protection: 16 A
 Voltage: 220-240 V
 Frequency: 60; 50 Hz
 Plug type: Gardy plug w/ earthing
 Included accessories: 1 x enamel baking tray, 1 x combination grid, 1 x universal pan



1 x enamel baking tray, 1 x combination grid, 1 x universal pan

HZ327000 Baking stone, HZ531010 Baking tray, non-stick ceramic coated, HZ532010 Universal pan, non-stick ceramic coated, HZ617000 Pizza pan, enamelled, HZ625071 Grill tray, enamelled, HZ631070 Baking tray, enamelled, HZ632070 Multipurpose pan, enamelled, HZ633001 Lid for professional pan, enamelled, HZ633070 Professional pan, enamelled, HZ634080 Baking and roasting grid (microwave), HZ636000 Glass pan, HZ664000 Baking and roasting grid (steam), HZ66X650 Cover Strip, HZ915003 Glass roasting dish, 5,4 L, HZG0AS00 Connecting cable 3m

iQ700, Built-in Oven with Steam and Microwave Function, 60 x 60 cm, Stainless steel HN678G4S1

Type of oven / heating system:

- Oven with microwave with 15 heating methods:
- 4D hot air, Hot Air-Eco, Conventional cooking, Conventional heat ECO, hot air grilling, Full width grill, Half width grill, Intensive hot air, Deep-frozen food special, Bottom heat, Intensive heat, low temperature cooking, Plate warming setting, Dehydrate, Hold warm setting
- Additional heating methods with steam: regeneration, fermentation
- Additional heating methods with microwave: microwave, combi microwave variable
- Cavity volume: 67 l

Cleaning:

- pyroKlean function

Comfort:

- Drop down door, soft closing, soft opening
- Rotary Control
- Supporting systems: Dish categories
- coolStart
- baking sensor
- multipoint temperature probe
- LED clock and automatic programmer
- Rapid heating-up
- LED light, LED-Elongated light, Independent oven interior light button
- Water tank with 1 l
- Yes
- Bar handle
- 30 °C
- Number of shelf levels: 5 PC
- Integral cooling fan
- 1 level telescopic shelf, pyrolytic proof

Accessory:

- 1 x enamel baking tray, 1 x combination grid, 1 x universal pan

Comfort and Safety:

- door lock electronical
- Child safety button Automatic safety switch off residual heat indicator start button door contact switch

Technical Info:

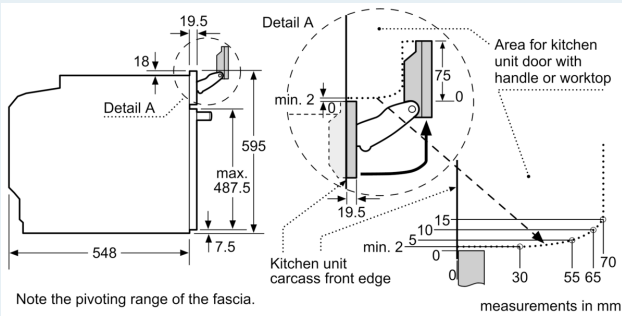
- Length of mains cable: 120 cm
- Total connected load electric: 3.6 KW
- Nominal voltage: 220 - 240 V
- Temperature range 30 °C - 300 °C

Dimensions:

- Appliance dimension (hxwx): 595 mm x 594 mm x 548 mm
- "Please reference the built-in dimensions provided in the installation drawing"

- Intelligent inverter technology: maximum output power will be regulated to 600 W when used in longer operation
- We recommend you to choose complementary products within iQ700, in order to assure an optimal design combination of your Built-In appliances.
- Oven with microwave

**iQ700, Built-in Oven with Steam and Microwave Function, 60 x 60 cm, Stainless steel
HN678G4S1**



If the appliance will be installed underneath a hob, the following worktop thicknesses (including substructure if necessary) must be taken into account.

Hob type	min. worktop thickness	
	fitted	flush
Induction hob	37 mm	38 mm
Full surface Induction hob	47 mm	48 mm
Gas hob	30 mm	38 mm
Electric hob	27 mm	30 mm

