

**Serie | 6, Built-in Microwave,  
HMT84G654**



**The built-in microwave for the 38 cm niche:  
use it for extra fast thawing, heating and  
perfect preparation of foods.**

- **Frameless design:** easy installation, harmonious integration into the kitchen furniture and easy to clean.
- **AutoPilot 8:** every dish is a perfect success thanks to 8 pre-set automatic programmes.
- **Grill function:** perfect grilling results are quickly and easily achieved thanks to a powerful grill.
- **Side-opening door:** convenient opening thanks to left-hinged door.

**Technical data**

Type of micro-wave oven :	MW+Grill function
Type of control :	Electronic
Dimensions of the product (mm) :	382 x 594 x 388
Cavity dimensions (mm) :	208.0 x 328.0 x 369.0
Length electrical supply cord (cm) :	130
Net weight (kg) :	18.409
Gross weight (kg) :	21.0
Maximum micro-wave power (W) :	900
Number of Power Levels :	5
Turntable :	Yes
Heating type :	Microwave
Cavity material :	Stainless steel
Door opening :	Button
Clock :	Yes
Height of the product (mm) :	382
Width of the product (mm) :	594
Depth of the product :	388
Maximum micro-wave power (W) :	900
Connection Rating (W) :	1450
Current (A) :	10
Voltage (V) :	220-230
Frequency (Hz) :	50
Plug type :	Gardy plug w/ earthing
Approval certificates :	CE, Eurasian
Required cutout/niche size for installation (in) :	x x
Appliance Dimensions (h x w x d) (in) :	x x
Dimensions of the packed product (in) :	18.50 x 18.11 x 25.98
Net weight (lbs) :	41
Gross weight (lbs) :	46



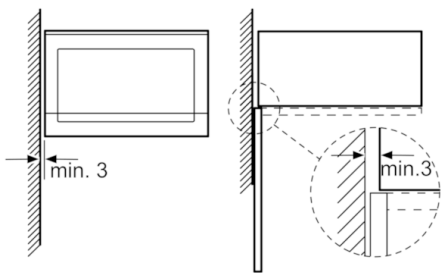
## **Serie | 6, Built-in Microwave, HMT84G654**

**The built-in microwave for the 38 cm niche:  
use it for extra fast thawing, heating and  
perfect preparation of foods.**

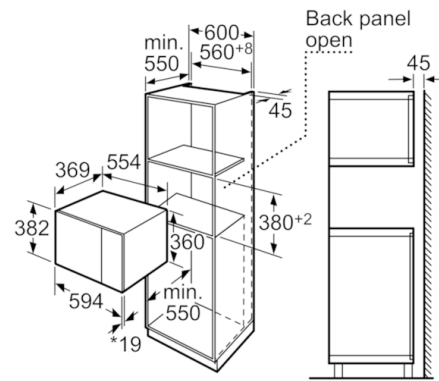
- 
- Suitable for installation in tall housing
  - 5 power levels: 900 W, 600 W, 360 W, 180 W, 90 W
  - 1200 W Quartz Grill
  - User-friendly electronics: extremely easy and comfortable operation
  - Timer up to 60 minutes  
Automatic safety switch-off
  - Side opening door with viewing window
  - 31.5 cm glass turntable
  - Stainless steel interior, 25 litres

## Serie | 6, Built-in Microwave, HMT84G654

Microwave, corner installation

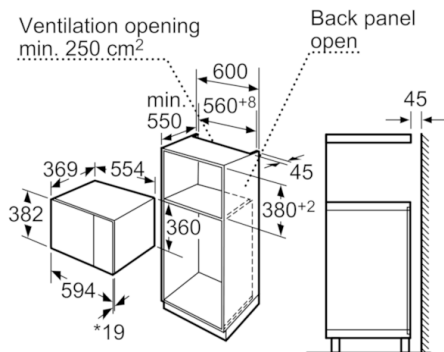


Measurements in mm



\* 20 mm for metal fascias

measurements in mm



\* 20 mm for metal fascias

measurements in mm