

**iQ700, Built-in Microwave Oven,
60 x 60 cm, Black
HM876G2B6**



Shorten your cooking time thanks to varioSpeed, fast preheat and activeClean®. And remote your oven from anywhere with Home Connect.

- ✓ Home Connect: access to your oven via smartphone or tablet.
- ✓ 4D hotAir: flexible choice of shelf.
- ✓ varioSpeed: reduce cooking times by up to 50%.
- ✓ cookControl Plus: guaranteed success for numerous dishes.
- ✓ fastPreheat: reach the required baking temperature sooner; coolStart: no need to preheat the oven for deep frozen food.

Additional Features: activeClean
 Type of control: Electronic
 Dimensions: 595 x 594 x 548 mm
 Cavity dimensions: 357.0 x 480 x 392.0 mm
 Length electrical supply cord: 120.0 cm
 Net weight: 45.3 kg
 Gross weight: 48.5 kg
 EAN code: 4242003789605
 Maximum Power: 800 W
 Connection rating: 3600 W
 Fuse protection: 16 A
 Voltage: 220-240 V
 Frequency: 60; 50 Hz
 Plug type: Garty plug w/ earthing
 Included accessories: 1 x enamel baking tray, 1 x combination grid, 1 x universal pan



1 x enamel baking tray, 1 x combination grid, 1 x universal pan

HZ327000 Baking stone, HZ531010 Baking tray, non-stick ceramic coated, HZ532010 Universal pan, non-stick ceramic coated, HZ617000 Pizza pan, enamelled, HZ625071 Grill tray, enamelled, HZ631070 Baking tray, enamelled, HZ632070 Multipurpose pan, enamelled, HZ633001 Lid for professional pan, enamelled, HZ633070 Professional pan, enamelled, HZ634080 Baking and roasting grid (microwave), HZ636000 Glass pan, HZ664000 Baking and roasting grid (steam), HZ66X650 Cover Strip, HZ6BMA00 Assembly kit for vertical installation, HZ915003 Glass roasting dish, 5,4 L, HZG0AS00 Connecting cable 3m

iQ700, Built-in Microwave Oven, 60 x 60 cm, Black HM876G2B6

Type of oven / heating system:

- Oven with microwave with 13 heating methods:
- 4D hot air, Hot Air-Eco, Conventional cooking, Conventional heat ECO, hot air grilling, Full width grill, Half width grill, Intensive hot air, Deep-frozen food special, Bottom heat, low temperature cooking, Plate warming setting, Hold warm setting
- Additional heating methods with microwave: microwave, combi microwave variable
- Intelligent inverter technology: maximum output power will be regulated to 600 W when used in longer operation
- Cavity volume: 67 l

Design:

- black Steel Design
- Cavity inner surface: enamel anthracite

Cleaning:

- pyroKlean function

Comfort:

- Supporting systems: Dish categories
- multipoint temperature probe
- LED clock and automatic programmer
- Rapid heating-up
- LED light, Independent oven interior light button
- Integral cooling fan
- WLAN

Hook-in racks / rails

Accessory:

- 1 x enamel baking tray, 1 x combination grid, 1 x universal pan

Comfort and Safety:

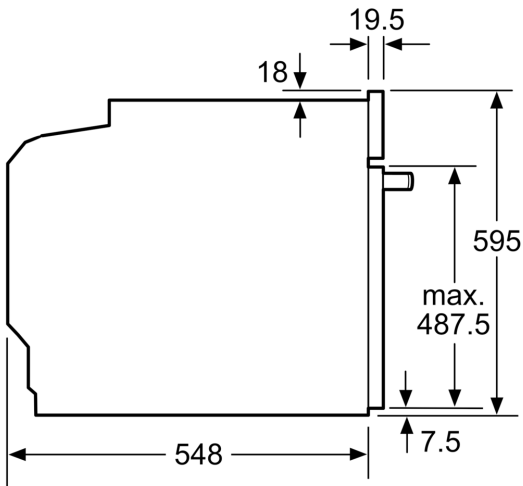
- door lock electronic
- Child safety button Automatic safety switch off residual heat indicator start button door contact switch

Technical Info:

- Length of mains cable: 120 cm
- Total connected load electric: 3.6 KW
- Appliance dimension (hxwx): 595 mm x 594 mm x 548 mm
- Niche dimension (hxwx): 560 mm - 568 mm x 585 mm - 595 mm x 550 mm
- "Please reference the built-in dimensions provided in the installation drawing"
- Drop down door, soft closing, soft opening
- 1 level telescopic shelf, pyrolytic proof
- Number of shelf levels: 5 PC
- coolStart
- Temperature range 30 °C - 300 °C
- 30 °C
- We recommend you to choose complementary products within iQ700, in order to assure an optimal design combination of your

Built-In appliances.

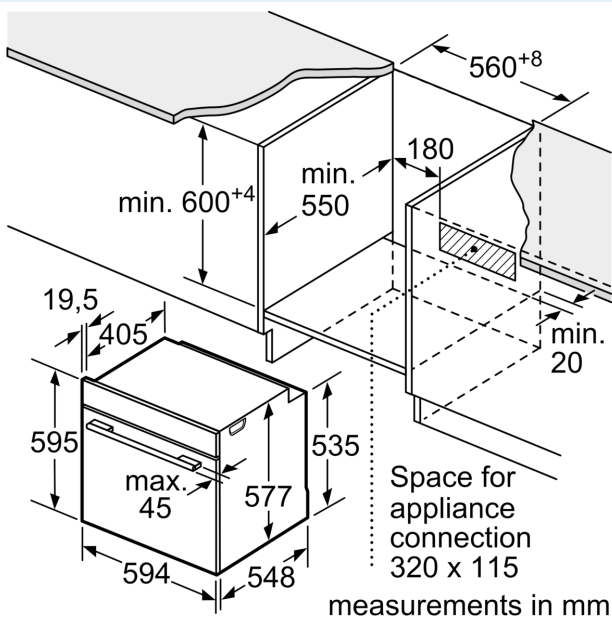
**iQ700, Built-in Microwave Oven,
60 x 60 cm, Black
HM876G2B6**



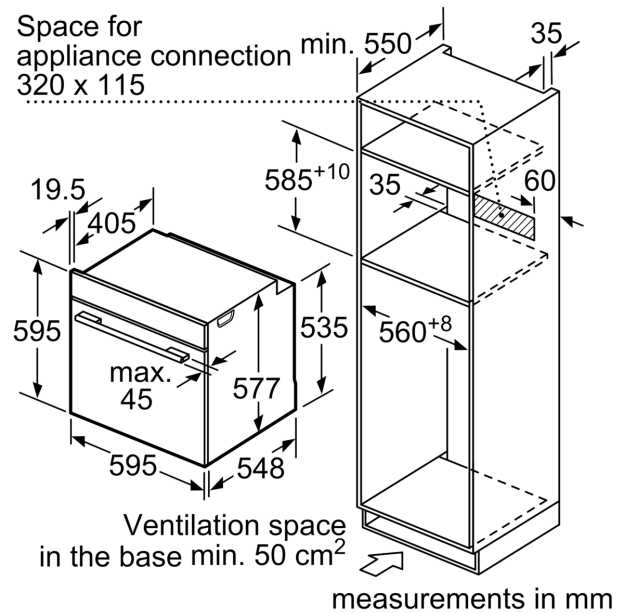
measurements in mm

If the appliance will be installed underneath a hob, the following worktop thicknesses (including substructure if necessary) must be taken into account.

Hob type	min. worktop thickness	
	fitted	flush
Induction hob	37 mm	38 mm
Full surface Induction hob	47 mm	48 mm
Gas hob	30 mm	38 mm
Electric hob	27 mm	30 mm



measurements in mm



measurements in mm