

**Series 6, Built-in Oven, 60 x 60 cm,
Stainless steel
HJG852ES0Z**



1 x combination grid, 1 x universal pan, 1 x air fry & grill tray

- HEZ327000 Pizza stone
- HEZ634000 Baking and roasting grid
- HEZ638000 Full ext rails, level independent
- HEZ660050 Cover Strip
- HEZ664000 Baking and roasting grid, steam

**The built-in oven with AutoPilot:
automatically prepares perfect dishes.**

- **Thanks to Air Fry Grill Tray, you can cook foods using less oil.**
- **3D Hotair:** even heat distribution for perfect results on up to three levels.
- **AutoPilot 30:** every dish is a perfect success thanks to 30 pre-set automatic programmes.
- **Eco Clean Direct:** easy cleaning thanks to a coating that breaks down grease while you bake.
- **Drop Down door with SoftOpen and SoftClose:** the oven door opens and closes gently and quietly

Built-in / Free-standing: Built-in
 Integrated Cleaning system: EcoClean Direct program
 Required niche size for installation (HxWxD):585-595 x 560-568 x 550 mm
 Dimensions: 595x594x548 mm
 Dimensions of the packed product (HxWxD):670x665x685 mm
 Control Panel Material: metal lacquered
 Door Material: Glass
 Net weight:32.9 kg
 Usable volume of cavity: 76 l
 Heating modes:: Air fry, Full width grill, Hotair gentle, Hot Air, Conventional heat, Pizza setting, Bottom heat, Hot air grilling
 Length electrical supply cord: 120 cm
 EAN code:4242005495078
 Number of cavities (2010/30/EC): 1
 Energy efficiency class:A
 Energy consumption per cycle conventional (2010/30/EC):0.98 kWh/cycle
 Energy consumption per cycle forced air convection (2010/30/EC):0.83 kWh/cycle
 Energy efficiency index (2010/30/EC):95.4 %
 Connection rating: 3600 W
 Fuse protection:16 A
 Voltage: 220-240 V
 Frequency: 50; 60 Hz
 Plug type: South Africa plug
 Included accessories: 1 x combination grid, 1 x universal pan, 1 x air fry & grill tray



Series 6, Built-in Oven, 60 x 60 cm, Stainless steel HJG852ES0Z

The built-in oven with AutoPilot: automatically prepares perfect dishes.

Dimensions:

- Appliance dimension (hxwxd): 595 mm x 594 mm x 548 mm
- Niche dimension (hxwxd): 560 mm - 568 mm x 585 mm - 595 mm x 550 mm
- "Please reference the built-in dimensions provided in the installation drawing"

Type of oven / heating system:

- Oven with 8 heating methods:
- Hot air cooking, Conventional top and bottom heat, Hot air grilling, Variable full width grill, Pizza setting, Bottom heat
- Temperature range 30 °C - 275 °C
- Cavity volume: 76 l

Hook-in racks / rails

- Number of shelf levels: 5 PC
- 1 level telescopic shelf

Design:

- Touch control
- Cavity inner surface: enamel anthracite
- Extra large capacity oven

Cleaning:

- side: coating of ceiling, back panel, side liners
- ecolyse program

Comfort:

- Electronic clock
- Temperature proposal
- Heating-up control
- automatic programmes, 30
- Drop down door, soft closing, soft opening
- bar handle
- Supporting systems: Programs
- Halogen interior lighting, Switch for oven illumination
- Integral cooling fan

Accessory:

- 1 x universal pan, 1 x air fry & grill tray, 1 x combination grid

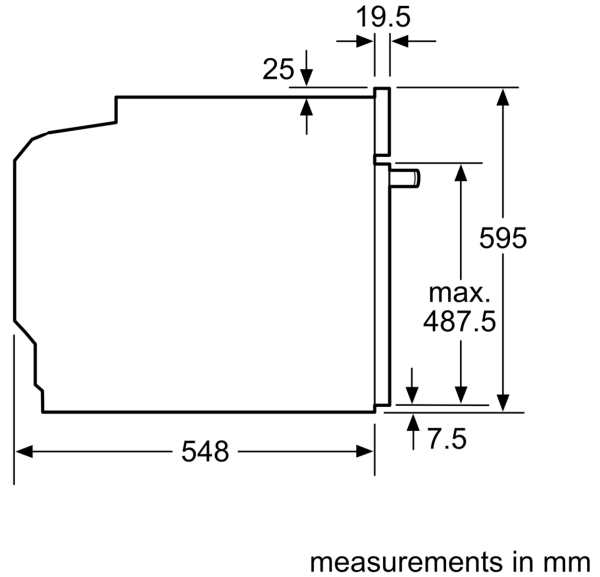
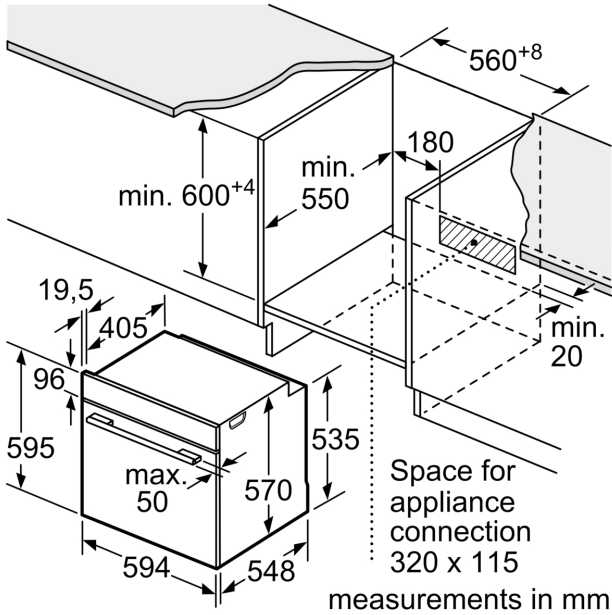
Comfort and Safety:

- Maximum window temperature 40° C
- Triple glazed door CoolTouch door
- Safety lock
- Automatic safety shut off
- start button

Technical Info:

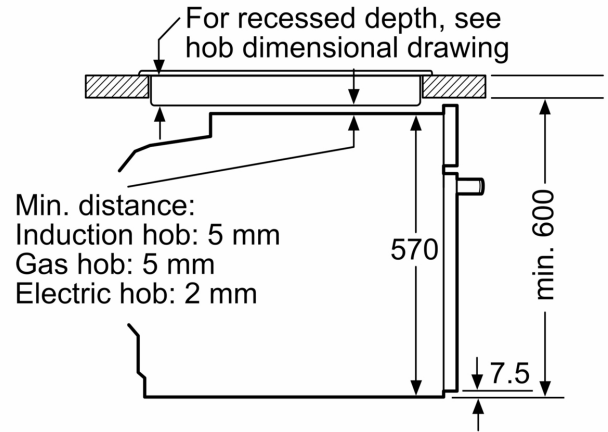
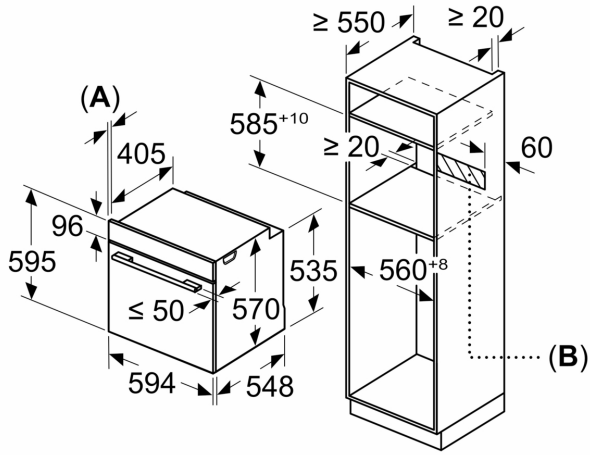
- Length of mains cable: 120 cm
- Nominal voltage: 220 - 240 V
- Total connected load electric: 3.6 KW
- Energy efficiency rating (acc. EU Nr. 65/2014): A
- Energy consumption per cycle in conventional mode: 0.98 kWh
- Energy consumption per cycle in fan-forced convection mode: 0.83 kWh
- Number of cavities: 1
- Heat source: electrical
- Cavity volume: 76 l

**Series 6, Built-in Oven, 60 x 60 cm,
Stainless steel
HJG852ES0Z**



Measurements in mm

Installation with a hob.



- A:** 19.5 mm
- B:** Space for appliance connection 320 x 115 mm

measurements in mm