

iQ500, Built-in Oven, 60 x 60 cm, Black HJ852GEB0Z



- ✓ Air fry – the healthier way to snack.
- ✓ 3D hotAir plus: perfect baking results on up to 3 shelves thanks to innovative heat distribution.
- ✓ Offers more space to cook multiple dishes.
- ✓ cookControl30: automatic programs ensure best results.
- ✓ softMove: gentle opening and closing of the oven door.

Design: Built-in
 Integrated Cleaning system: ecoClean Plus program
 Required niche size for installation (HxWxD): ..585-595 x 560-568 x 550 mm
 Dimensions: 595x594x548 mm
 Dimensions of the packed product (HxWxD):670x665x685 mm
 Control Panel Material:Glass
 Door Material:Glass
 Net weight: 33.0 kg
 Usable volume of cavity: 76 l
 Heating modes:: Air fry, Full width grill, Hotair gentle, Hot Air, Conventional heat, Pizza setting, Bottom heat, Hot air grilling
 Length electrical supply cord: 120 cm
 EAN code:4242003966297
 Number of cavities (2010/30/EC):1
 Energy efficiency:A
 Energy consumption per cycle conventional (2010/30/EC):0.98 kWh/cycle
 Energy consumption per cycle forced air convection (2010/30/EC): 0.83 kWh/cycle
 Energy efficiency index (2010/30/EC): 95.4 %
 Connection rating: 3600 W
 Fuse protection: 16 A
 Voltage:220-240 V
 Frequency:50; 60 Hz
 Plug type:South Africa plug
 Included accessories: 1 x combination grid, 1 x universal pan, 1 x air fry & grill tray

1 x combination grid, 1 x universal pan, 1 x air fry & grill tray

- HZ327000 Baking stone
- HZ629070 Air Fry & Grill tray
- HZ633070 Professional pan with grid, enamelled
- HZ634000 Baking and roasting grid (standard)
- HZ636000 Glass pan
- HZ638000 Full ext rails, level independent
- HZ664000 Baking and roasting grid (steam)
- HZ66X650 Cover Strip



iQ500, Built-in Oven, 60 x 60 cm, Black HJ852GEB0Z

Type of oven / heating system:

- Oven with 8 heating methods:
- Hot air, Conventional cooking, hot air grilling, Full width grill, Intensive hot air, Bottom heat
- Temperature range 30 °C - 275 °C
- Cavity volume: 76 l

Hook-in racks / rails

- Number of shelf levels: 5 PC
- 1 level telescopic shelf

Design:

- Touch control
- Cavity inner surface: enamel anthracite

Cleaning:

- side: coating of ceiling, back panel, side liners
- ecolyse program

Comfort:

- LED clock and automatic programmer
- Temperature proposal
- Heating-up control
- automatic programmes, 30
- Drop down door, soft closing, soft opening
- bar handle
- Supporting systems: Programs
- Halogen interior lighting, Independent oven interior light button
- Integral cooling fan

Accessory:

- 1 x air fry & grill tray, 1 x combination grid, 1 x universal pan

Comfort and Safety:

- Maximum window temperature 40° C
- Triple glazed door with heat reflective glass CoolTouch door
- Child safety button
- Automatic safety switch off
- start button

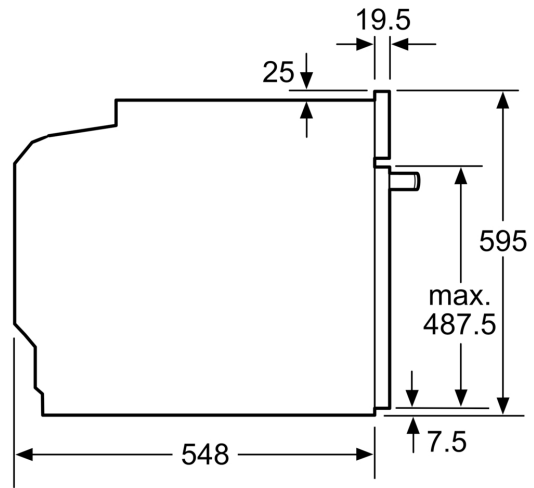
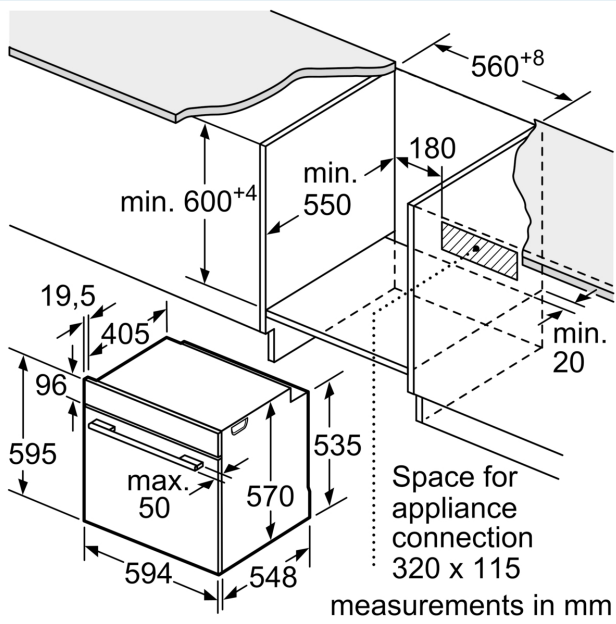
Technical Info:

- Length of mains cable: 120 cm
- Nominal voltage: 220 - 240 V
- Total connected load electric: 3.6 KW
- Energy efficiency rating (acc. EU Nr. 65/2014): A
- Energy consumption per cycle in conventional mode: 0.98 kWh
- Energy consumption per cycle in fan-forced convection mode: 0.83 kWh
- Number of cavities: 1
- Heat source: electrical
- Cavity volume: 76 l

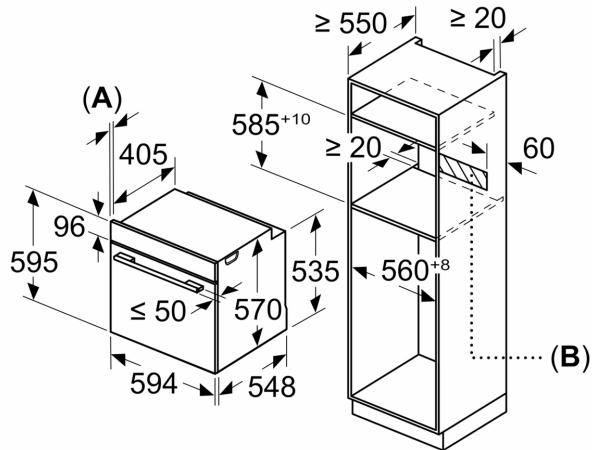
Dimensions:

- Appliance dimension (hxwxd): 595 mm x 594 mm x 548 mm
- Niche dimension (hxwxd): 560 mm - 568 mm x 585 mm - 595 mm x 550 mm
- "Please reference the built-in dimensions provided in the installation drawing"

**iQ500, Built-in Oven, 60 x 60 cm,
Black
HJ852GEB0Z**

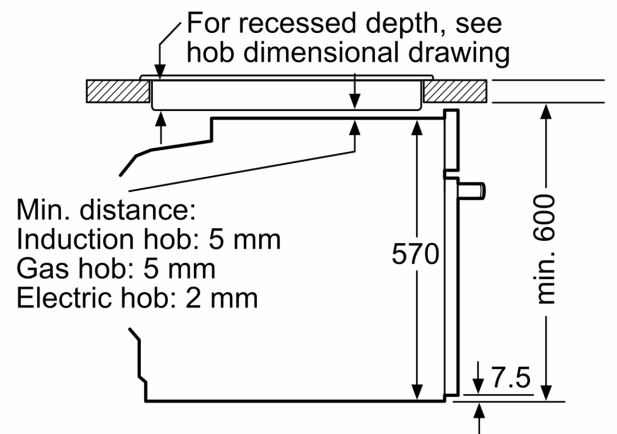


Measurements in mm



A: 19.5 mm
B: Space for appliance connection 320 x 115 mm

Installation with a hob.



measurements in mm