

Series 6, Built-in Steam Oven, 60 x 60 cm, Stainless steel HIJ354ES0Z



A



- Perfect baking, roasting or reheating with the help of steam.
- EcoClean Direct: easy cleaning thanks to a coating that breaks down grease while you bake.
- 3D Hotair: perfect results thanks to optimal distribution of heat on up to 3 levels simultaneously.
- Flap door with SoftClose: the oven door closes especially gently and quietly.
- 1-stage normal telescopic rails: for safe, easy insertion and removal of baking trays.

1 x enamel baking tray, 1 x combination grid, 1 x universal pan

| | |
|-----------|----------------------------------|
| HEZ317000 | Pizza pan, enamelled |
| HEZ327000 | Pizza stone |
| HEZ425000 | Grill tray |
| HEZ429001 | Air Fry & Grill tray, anthracite |
| HEZ431002 | Baking tray, enamelled |
| HEZ438201 | 2 level telescopic shelf rails |
| HEZ438301 | 3 level telescopic shelf rails |
| HEZ625071 | Grill tray, anthracite |
| HEZ915003 | Glass roasting dish, 5,4 L |

Built-in / Free-standing: Built-in
 Integrated Cleaning system: EcoClean Direct program
 Min. required niche size for installation (HxWxD): 575-597 x 560-568 x 550 mm
 Dimensions: 595 x 594 x 548 mm
 Dimensions of the packed product (HxWxD): 670 x 655 x 672 mm
 Control Panel Material: Stainless steel
 Door Material: Glass
 Net weight: 35.2 kg
 Usable volume of cavity: 66 l
 Heating modes: ...Defrost, Hotair gentle, Hot Air, Conventional heat, Pizza setting, Bottom heat, Hot air grilling, Full width variable grill
 Oven control: mechanical
 Number of interior lights: 1
 Length electrical supply cord: 100.0 cm
 EAN code: 4242005310005
 Number of cavities (2010/30/EC): 1
 Energy efficiency class: A
 Energy consumption per cycle conventional (2010/30/EC): 0.98 kWh/cycle
 Energy consumption per cycle forced air convection (2010/30/EC): 0.79 kWh/cycle
 Energy efficiency index (2010/30/EC): 95.2 %
 Connection rating: 3300 W
 Fuse protection: 16 A
 Voltage: 220-240 V
 Frequency: 50-60 Hz
 Plug type: South Africa plug
 Included accessories: 1 x enamel baking tray, 1 x combination grid, 1 x universal pan



Series 6, Built-in Steam Oven, 60 x 60 cm, Stainless steel HIJ354ES0Z

Type of oven / heating system:

- Oven with 8 heating methods: Hot air cooking, Conventional top and bottom heat, Hot air grilling, Pizza setting, Bottom heat, Defrost setting, Hotair gentle, Variable full width grill, hot air + steam
- Temperature range 50 °C - 270 °C
- Cavity volume: 66 l

Hook-in racks / rails

- Number of shelf levels: 5 PC
- 1 level telescopic shelf

Design:

- Rotary Control, Pop-out controls
- Cavity inner surface: enamel anthracite

Cleaning:

- Ecolyse features: ceiling, back panel, side liners
- ecolyse program
- Full glass inner door

Comfort:

- Electronic clock
- Bar handle
- Rapid heating-up
- Halogen interior lighting
- Integral cooling fan

Accessory:

- 1 x combination grid, 1 x enamel baking tray, 1 x universal pan

Comfort and Safety:

- Safety lock
- residual heat indicator

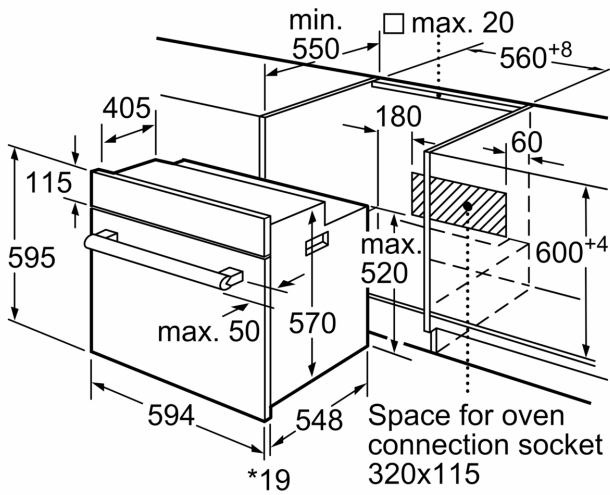
Technical Info:

- Length of mains cable: 100 cm
- Nominal voltage: 220 - 240 V
- Total connected load electric: 3.3 KW
- Energy efficiency rating (acc. EU Nr. 65/2014): A
- Energy consumption per cycle in conventional mode: 0.98 kWh
- Energy consumption per cycle in fan-forced convection mode: 0.79 kWh
- Number of cavities: 1 Heat source: electrical Cavity volume: 66 l

Dimensions:

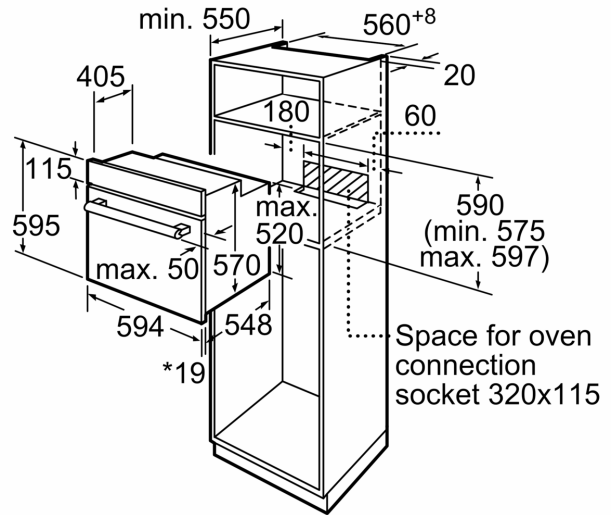
- Appliance dimension (hxwx): 595 mm x 594 mm x 548 mm
- Niche dimension (hxwx): 560 mm - 568 mm x 575 mm - 597 mm x 550 mm
- "Please reference the built-in dimensions provided in the installation drawing"
- We recommend you to choose complementary products within SER6, in order to assure an optimal design combination of your Built-In appliances.

Series 6, Built-in Steam Oven, 60 x 60 cm, Stainless steel
HIJ354ES0Z



* 20 mm for metal fascias

measurements in mm



* 20 mm for metal fascias

measurements in mm



* 20 mm for metal fascias

Dimensions in mm