

Serie | 2, Built-in Oven, HBN559E1Z



Included accessories

1 x enamel baking tray
1 x combination grid
1 x telescopic rack
1 x universal pan

The built-in oven with special hot air function: you achieve perfect baking and roasting results on up to two levels simultaneously.

- **Hotair:** perfect results thanks to optimal distribution of heat on up to 2 levels simultaneously.
- **Flap door:** for especially convenient opening and closing of the oven door.
- **Energy efficiency class A:** Best baking results with low energy consumption.

Technical data

Built-in / Free-standing :	Built-in
Integrated Cleaning system :	No
Required niche size for installation (HxWxD) :	575-597 x 560-568 x 550
Dimensions of the product (mm) :	595 x 595 x 548
Dimensions of the packed product (HxWxD) (mm) :	665 x 680 x 660
Control Panel Material :	Stainless steel
Door Material :	Mirror glass
Net weight (kg) :	32.081
Usable volume of cavity (l) :	66
Cooking method :	3D hot air, Bottom heat, Conventional heat, Defrost, Full width variable grill, Half width variable grill, Hot air grilling, Pizza setting
First cavity material :	Enamelled
Number of interior lights :	1
Approval certificates :	CE, KEMA
Length electrical supply cord (cm) :	100
Interior Lights - cavity 1 :	1
Pull-out system :	1-level
Clock function :	Alarm, Off, On
Included accessories cavity 1 :	1 x enamel baking tray, 1 x combination grid, 1 x telescopic rack, 1 x universal pan
Broil Element Wattages cavity 1 (W) :	2800
Energy efficiency class (2010/30/EC) :	A
Energy consumption per cycle conventional (2010/30/EC) :	0.98
Energy consumption per cycle forced air convection (2010/30/EC) :	0.82
Energy efficiency index (2010/30/EC) :	98.8
Connection Rating (W) :	2900
Current (A) :	16
Voltage (V) :	220-240
Frequency (Hz) :	50
Plug type :	South Africa plug
Energy input :	Electric
Approval certificates :	CE, KEMA
Required cutout/niche size for installation (in) :	x x
Dimensions of the packed product (in) :	26.18 x 25.98 x 26.77
Net weight (lbs) :	71.000
Gross weight (lbs) :	76
Length electrical supply cord (cm) :	100
Net weight (kg) :	32.081
Gross weight (kg) :	34.0

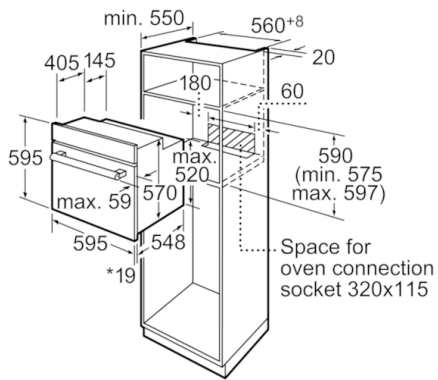


Serie | 2, Built-in Oven, HBN559E1Z

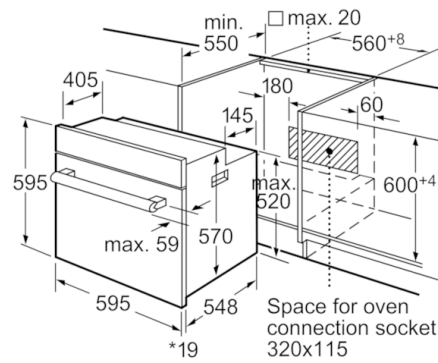
The built-in oven with special hot air function: you achieve perfect baking and roasting results on up to two levels simultaneously.

-
- Heating system multifunction (8 heating modes: Bottom heat, Hot air grilling, Variable full width grill, Pizza setting, Conventional top and bottom heat, Half width variable grill, 3D hot air, Defrost setting)
 - Fast heat
 - Temperature range 50 °C - 270 °C
 - Cavity volume: 66 l
 - Interior light
 - Enamelled cavity (brown)
 - direct coated catalytic liners: back panel
 - Oven cavity with removable rack supports
 - 1 x enamel baking tray, 1 x combination grid, 1 x telescopic rack, 1 x universal pan
 - Integral cooling fan
 - Removable oven door for easy-cleaning
 - Total connected load electric: 2.9 KW
 - Appliance dimension (hxwx): 595 mm x 595 mm x 548 mm
 - Cable with plug (1.00 m)
 - Energy efficiency rating (acc. EU Nr. 65/2014):
Energy consumption per cycle in conventional mode: 0.98 kwh
Energy consumption per cycle in fan-forced convection mode: 0.82 kwh
Number of cavities: 1
Heat source: electrical
Cavity volume: 66 l

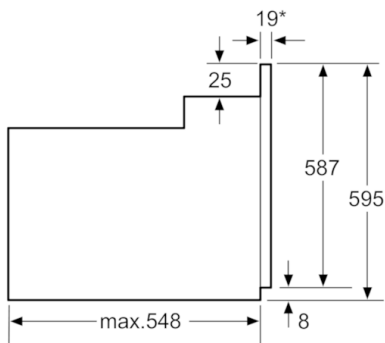
**Serie | 2, Built-in Oven,
HBN559E1Z**



*20 mm for metal fascias
Measurements in mm



*20 mm for metal fascias
Measurements in mm



* 20 mm for metal fascias
Dimensions in mm