

**Series 6, Built-in Oven, 60 x 60 cm,  
Black  
HBJ559EB6Z**



1 x combination grid, 1 x universal pan, 2 x Universal pan, slim size,  
1 x Air Fry & Grill tray

|           |                                  |
|-----------|----------------------------------|
| HEZ317000 | Pizza pan, enamelled             |
| HEZ327000 | Pizza stone                      |
| HEZ333001 | Lid for professional pan         |
| HEZ429001 | Air Fry & Grill tray, anthracite |
| HEZ431002 | Baking tray, enamelled           |
| HEZ438201 | 2 level telescopic shelf rails   |
| HEZ438301 | 3 level telescopic shelf rails   |
| HEZ915003 | Glass roasting dish, 5,4 L       |

**The built-in oven with AutoPilot:  
automatically prepares perfect dishes.**

- **3D Hotair:** perfect results thanks to optimal distribution of heat on up to 3 levels simultaneously.
- **2 universal pans, slim size:** optimized for smaller amounts of different dishes.
- **EcoClean Direct:** easy cleaning thanks to a coating that breaks down grease while you bake.
- **AutoPilot 40:** every dish is a perfect success thanks to 40 pre-set automatic programmes.
- **Thanks to Air Fry Grill Tray, you can cook healthier foods using less fat.**

Built-in / Free-standing: ..... Built-in  
 Integrated Cleaning system: ..... EcoClean Direct program  
 Min. required niche size for installation (HxWxD): 575-597 x 560-568 x 550 mm  
 Dimensions: ..... 595 x 594 x 548 mm  
 Dimensions of the packed product (HxWxD): ..... 665 x 665 x 673 mm  
 Control Panel Material: ..... Glass  
 Door Material: ..... Glass  
 Net weight: ..... 35.9 kg  
 Usable volume of cavity: ..... 66 l  
 Heating modes:: ..... Defrost, Hotair gentle, Hot Air, Intensive heat, Conventional heat, Pizza setting, Bottom heat, Hot air grilling, Full width variable grill, Half width variable grill, pre-heating, warming  
 Oven control: ..... electronic  
 Number of interior lights: ..... 1  
 Length electrical supply cord: ..... 100.0 cm  
 EAN code: ..... 4242005389421  
 Number of cavities (2010/30/EC): ..... 1  
 Energy efficiency class: ..... A  
 Energy consumption per cycle conventional (2010/30/EC): ..... 0.98 kWh/cycle  
 Energy consumption per cycle forced air convection (2010/30/EC): ..... 0.79 kWh/cycle  
 Energy efficiency index (2010/30/EC): ..... 95.2 %  
 Connection rating: ..... 3100 W  
 Fuse protection: ..... 16 A  
 Voltage: ..... 220-240 V  
 Frequency: ..... 50; 60 Hz  
 Plug type: ..... South Africa plug  
 Included accessories: ..... 1 x combination grid, 1 x universal pan, 2 x Universal pan, slim size, 1 x Air Fry & Grill tray



## **Series 6, Built-in Oven, 60 x 60 cm, Black HBJ559EB6Z**

### **The built-in oven with AutoPilot: automatically prepares perfect dishes.**

---

#### **Type of oven / heating system:**

- Oven with 12 heating methods:
- Hot air cooking, Conventional top and bottom heat, Hot air grilling, Pizza setting, Bottom heat, Intensive heat, Defrost setting, Plate warming, Hold warm
- Temperature range 50 °C - 275 °C
- Cavity volume: 66 l

#### **Hook-in racks / rails**

- Number of shelf levels: 5 PC
- 1 level telescopic shelf

#### **Design:**

- Touch control, Slider
- Extra large capacity oven

#### **Cleaning:**

- side: coating of ceiling, back panel, side liners
- ecohyse program
- Full glass inner door

#### **Comfort:**

- Electronic clock
- Temperature proposal
- Actual temperature display Heating-up control
- automatic programmes, 40
- Bar handle
- Supporting systems: Programs
- Rapid heating-up
- Halogen interior lighting
- Integral cooling fan
- Info button
- WLAN

#### **Accessory:**

- 1 x Air Fry & Grill tray, 2 x Universal pan, slim size, 1 x combination grid, 1 x universal pan

#### **Comfort and Safety:**

- Triple glazed door CoolTouch door
- Safety lock
- start button door contact switch

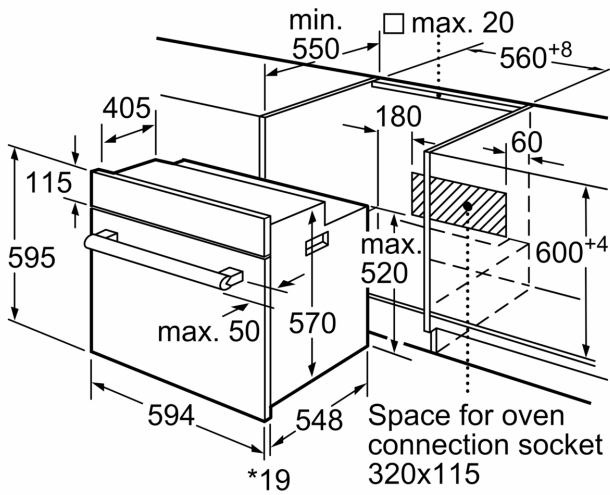
#### **Technical Info:**

- Length of mains cable: 100 cm
- Nominal voltage: 220 - 240 V
- Total connected load electric: 3.1 KW
- Energy efficiency rating (acc. EU Nr. 65/2014): A
- Energy consumption per cycle in conventional mode: 0.98 kWh
- Energy consumption per cycle in fan-forced convection mode: 0.79 kWh
- Number of cavities: 1 Heat source: electrical Cavity volume: 66 l

#### **Dimensions:**

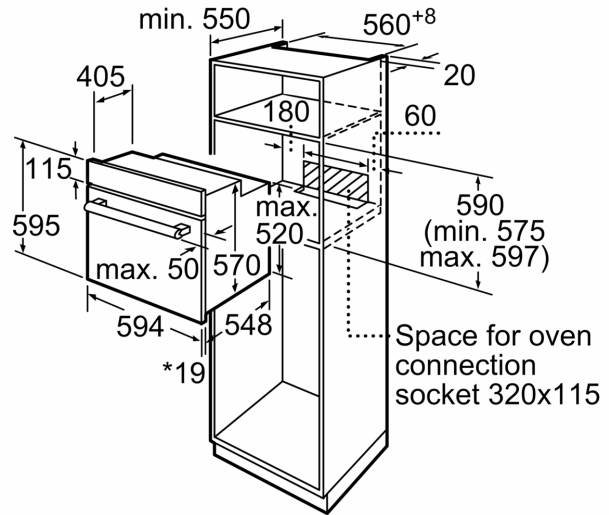
- Appliance dimension (hxwx): 595 mm x 594 mm x 548 mm
- Niche dimension (hxwx): 560 mm - 568 mm x 575 mm - 597 mm x 550 mm
- "Please reference the built-in dimensions provided in the installation drawing"
- We recommend you to choose complementary products within SER6, in order to assure an optimal design combination of your Built-In appliances.

**Series 6, Built-in Oven, 60 x 60 cm,  
Black  
HBJ559EB6Z**



\* 20 mm for metal fascias

measurements in mm



\* 20 mm for metal fascias

measurements in mm



\* 20 mm for metal fascias

Dimensions in mm