

**Series 4, Built-in Oven, 60 x 60 cm,  
Stainless steel  
HBJ534ES0Z**



1 x enamel baking tray, 1 x combination grid, 1 x universal pan

HEZ317000	Pizza pan, enamelled
HEZ327000	Pizza stone
HEZ425000	Grill tray
HEZ429001	Air Fry & Grill tray, anthracite
HEZ431002	Baking tray, enamelled
HEZ438201	2 level telescopic shelf rails
HEZ438301	3 level telescopic shelf rails
HEZ625071	Grill tray, anthracite
HEZ915003	Glass roasting dish, 5,4 L

- **3D Hotair:** perfect results thanks to optimal distribution of heat on up to 3 levels simultaneously.
- **1-stage normal telescopic rails:** for safe, easy insertion and removal of baking trays.
- **EcoClean Direct:** almost no cleaning is necessary thanks to a special coating of the rear wall that automatically absorbs grime.
- **LED-display control, red:** easy-to-use thanks to the time functions.
- **Pop-out controls:** Make the front of the oven easy to clean and give it a sleek look.

Built-in / Free-standing: ..... Built-in  
 Integrated Cleaning system: ..... EcoClean Direct program  
 Min. required niche size for installation (HxWxD): 575-597 x 560-568 x 550 mm  
 Dimensions: ..... 595 x 594 x 548 mm  
 Dimensions of the packed product (HxWxD): ..... 653 x 642 x 680 mm  
 Control Panel Material: ..... Stainless steel  
 Door Material: ..... Glass  
 Net weight: ..... 32.3 kg  
 Usable volume of cavity: ..... 66 l  
 Heating modes: ...Defrost, Hotair gentle, Hot Air, Conventional heat, Pizza setting, Bottom heat, Hot air grilling, Full width variable grill  
 Oven control: ..... mechanical  
 Number of interior lights: ..... 1  
 Length electrical supply cord: ..... 100.0 cm  
 EAN code: ..... 4242005048045  
 Number of cavities (2010/30/EC): ..... 1  
 Energy efficiency class: ..... A  
 Energy consumption per cycle conventional (2010/30/EC): ..... 0.98 kWh/cycle  
 Energy consumption per cycle forced air convection (2010/30/EC): 0.79 kWh/cycle  
 Energy efficiency index (2010/30/EC): ..... 95.2 %  
 Connection rating: ..... 3300 W  
 Fuse protection: ..... 16 A  
 Voltage: ..... 220-240 V  
 Frequency: ..... 60; 50 Hz  
 Plug type: ..... South Africa plug  
 Included accessories: 1 x enamel baking tray, 1 x combination grid, 1 x universal pan



## Series 4, Built-in Oven, 60 x 60 cm, Stainless steel HBJ534ES0Z

---

- Oven with 8 heating methods: Hot air cooking, Conventional top and bottom heat, Hot air grilling, Pizza setting, Bottom heat, Defrost setting, Hotair gentle, Variable full width grill
- Temperature range 50 °C - 275 °C
- Cavity volume: 66 l

### Hook-in racks / rails

- 1 level telescopic shelf

### Design:

- Rotary Control, Pop-out controls

### Cleaning:

- Ecolyse features: back panel
- Full glass inner door

### Comfort:

- Electronic clock
- Drop down door, soft closing
- Rapid heating-up
- Halogen interior lighting
- Integral cooling fan
- Bar handle

### Accessory:

- 1 x universal pan, 1 x combination grid, 1 x enamel baking tray

### Comfort and Safety:

- Safety lock

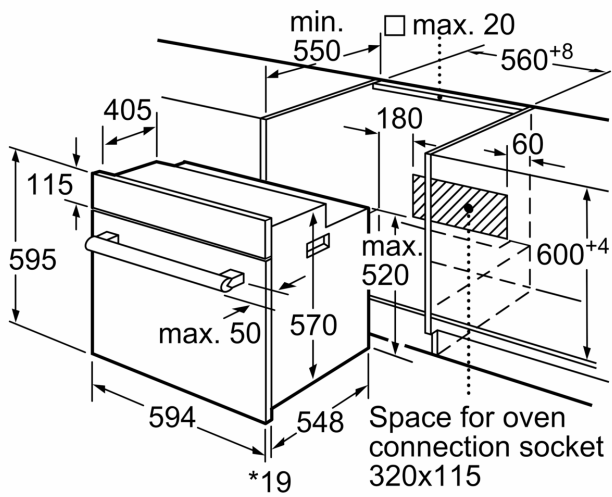
### Technical Info:

- Length of mains cable: 100 cm
- Nominal voltage: 220 - 240 V
- Total connected load electric: 3.3 KW
- Energy efficiency rating (acc. EU Nr. 65/2014): A
- Energy consumption per cycle in conventional mode: 0.98 kWh
- Energy consumption per cycle in fan-forced convection mode: 0.79 kWh
- Number of cavities: 1 Heat source: electrical Cavity volume: 66 l

### Dimensions:

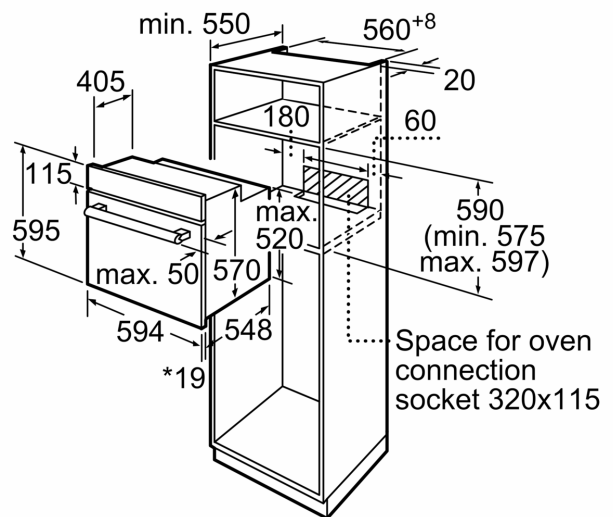
- Appliance dimension (hxwxd): 595 mm x 594 mm x 548 mm
- Niche dimension (hxwxd): 560 mm - 568 mm x 575 mm - 597 mm x 550 mm
- "Please reference the built-in dimensions provided in the installation drawing"

**Series 4, Built-in Oven, 60 x 60 cm,  
Stainless steel  
HBJ534ES0Z**



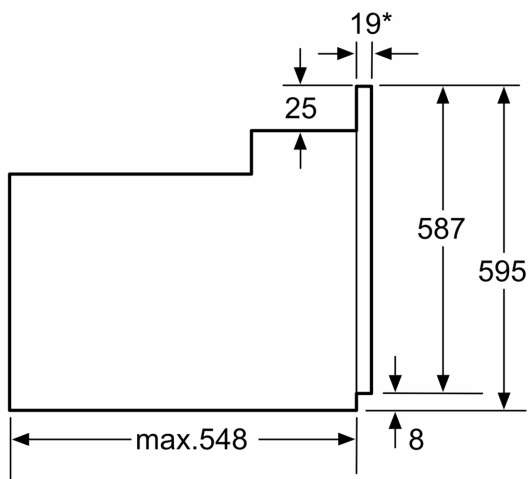
\* 20 mm for metal fascias

measurements in mm



\* 20 mm for metal fascias

measurements in mm



\* 20 mm for metal fascias

Dimensions in mm