

**Series 8, Built-in Oven, 60 x 60 cm,
Stainless steel
HBG656LS1**



A



1 x enamel baking tray, 1 x combination grid, 1 x universal pan

HEZ327000 Pizza stone, HEZ530000 Half tray, HEZ531010 Baking tray, non-stick ceramic coated, HEZ532010 Universal pan, non-stick ceramic coated, HEZ617000 Pizza pan, enamelled, HEZ625071 Grill tray, anthracite, HEZ631070 Baking tray, enamelled, HEZ632070 Multipurpose pan, enamelled, HEZ633001 Lid for professional pan, enamelled, HEZ633070 Professional pan, enamelled, HEZ634000 Baking and roasting grid (standard), HEZ635000 Barbecue-Set, HEZ636000 Glass pan, HEZ638300 3 level telescopic rails, full ext, HEZ660050 Cover Strip, HEZ664000 Baking and roasting grid (steam), HEZ915003 Glass roasting dish, 5,4 L, HEZG0AS00 Connecting cable 3m

The built-in oven with PerfectBake and PerfectRoast: you get perfect baking and roasting results – automatically.

- **4D Hot Air:** even heat distribution for perfect results – on any level.
- **PerfectRoast:** precise measurement of core temperature for a perfect roast.
- **PerfectBake:** the easy way to perfect baking results.
- **Cleaning Assistance:** less cleaning effort thanks to the new cleaning option, which can be especially used for cleaning of light soiling.
- **EcoClean Direct:** easy cleaning thanks to a coating that breaks down grease while you bake.

Built-in / Free-standing: Built-in
 Integrated Cleaning system: EcoClean Direct program, Hydrolytic
 Min. required niche size for installation (HxWxD): 585-595 x 560-568
 x 550 mm
 Dimensions: 595 x 594 x 548 mm
 Dimensions of the packed product (HxWxD): 670 x 670 x 680 mm
 Control Panel Material: Stainless steel
 Door Material: Glass
 Net weight: 37.4 kg
 Usable volume of cavity: 71 l
 Heating modes:: 4D hotair, Defrost, Full width grill, Hot Air-Eco, Half
 width grill, Conventional heat, Conventional heat ECO, Pizza setting,
 low temperature cooking, Bottom heat, Hot air grilling, pre-heating,
 warming
 Oven control: electronic
 Number of interior lights: 1
 Length electrical supply cord: 120.0 cm
 EAN code: 4242002807898
 Number of cavities (2010/30/EC): 1
 Energy efficiency class: A
 Energy consumption per cycle conventional (2010/30/EC): 0.90
 kWh/cycle
 Energy consumption per cycle forced air convection (2010/30/EC): 74
 kWh/cycle
 Energy efficiency index (2010/30/EC): 87.1 %
 Connection rating: 3600 W
 Fuse protection: 16 A
 Voltage: 220-240 V
 Frequency: 60; 50 Hz
 Plug type: GARDY plug w/ earthing
 Included accessories: 1 x enamel baking tray, 1 x combination grid, 1
 x universal pan



Series 8, Built-in Oven, 60 x 60 cm, Stainless steel HBG656LS1

The built-in oven with PerfectBake and PerfectRoast: you get perfect baking and roasting results – automatically.

Type of oven / heating system:

- Oven with 13 heating methods:
- 4D hot air, Hot Air-Eco, Conventional top and bottom heat, Conventional heat ECO, Hot air grilling, Variable full width grill, Half width grill, Pizza setting, Bottom heat, low temperature cooking, Defrost setting, Plate warming, Hold warm
- Temperature range 30 °C - 300 °C
- Cavity volume: 71 l

Cleaning:

- Ecolyse features: ceiling, back panel, side liners
- ecolyse program

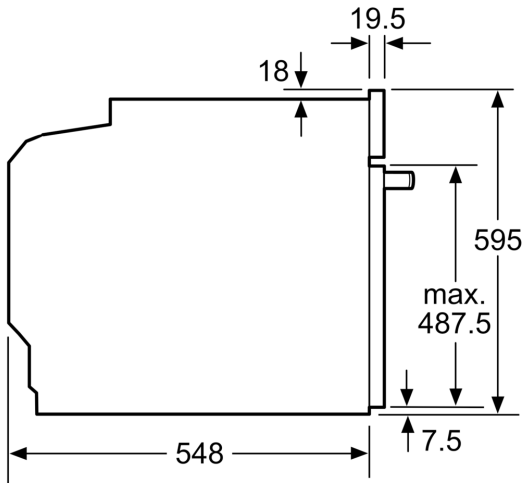
Comfort:

- Drop down door, soft closing, soft opening
- Supporting systems: Dish categories
- baking sensor
- multipoint temperature probe
- Electronic clock
- Rapid heating-up
- Halogen interior lighting, Switch for oven illumination
- Integral cooling fan

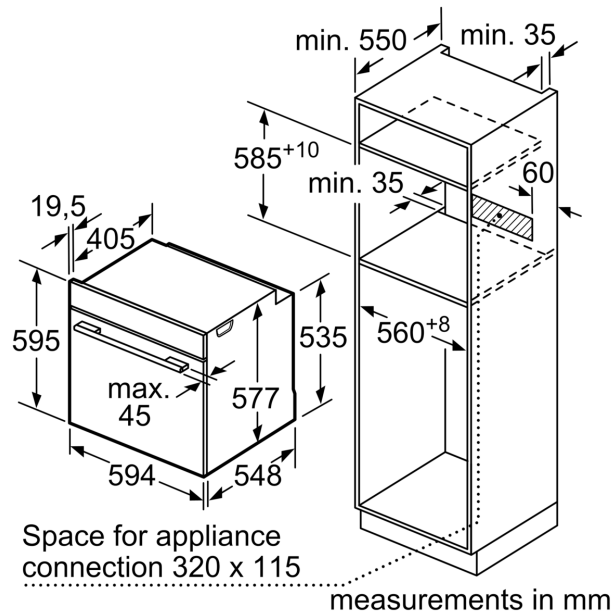
Accessory:

- 1 x universal pan, 1 x combination grid, 1 x enamel baking tray
- Total connected load electric: 3.6 KW
- Appliance dimension (hxwxh): 595 mm x 594 mm x 548 mm
- Niche dimension (hxwxh): 560 mm - 568 mm x 585 mm - 595 mm x 550 mm
- Number of shelf levels: 5 PC
- 2 level telescopic shelf rails, full extension, Detend function
- Rotary swivel
- Full glass inner door
- Temperature proposal
- Actual temperature display Heating-up control Sabbath setting
- Bar handle
- Energy efficiency rating (acc. EU Nr. 65/2014): A
- Energy consumption per cycle in conventional mode: 0.9 kWh
- Energy consumption per cycle in fan-forced convection mode: 0.74 kWh
- Number of cavities: 1 Heat source: electrical Cavity volume: 71 l
- We recommend you to choose complementary products within SER8, in order to assure an optimal design combination of your Built-In appliances.

**Series 8, Built-in Oven, 60 x 60 cm,
Stainless steel
HBG656LS1**



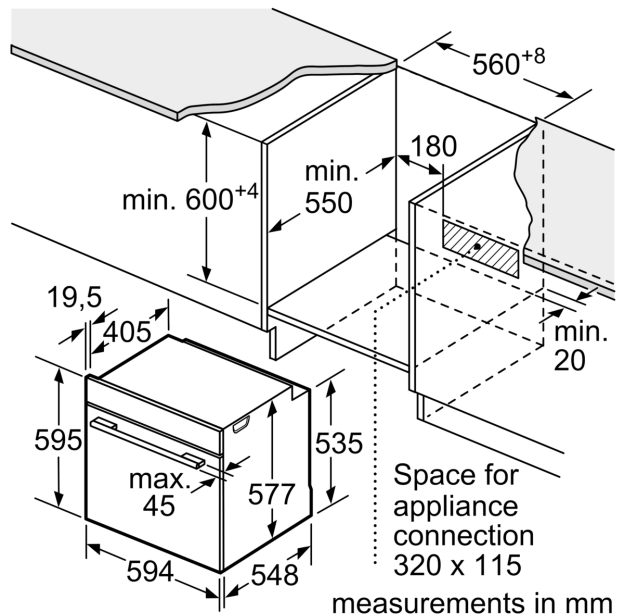
measurements in mm



measurements in mm

If the appliance will be installed underneath a hob, the following worktop thicknesses (including substructure if necessary) must be taken into account.

Hob type	min. worktop thickness	
	fitted	flush
Induction hob	37 mm	38 mm
Full surface Induction hob	47 mm	48 mm
Gas hob	30 mm	38 mm
Electric hob	27 mm	30 mm



measurements in mm