

**Series 8, Built-in Oven, 60 x 60 cm,
Stainless steel
HBG655BS1**



1 x enamel baking tray, 1 x combination grid, 1 x universal pan

HEZ327000 Pizza stone, HEZ530000 Half tray, HEZ531010 Baking tray, non-stick ceramic coated, HEZ532010 Universal pan, non-stick ceramic coated, HEZ617000 Pizza pan, enamelled, HEZ625071 Grill tray, anthracite, HEZ631070 Baking tray, enamelled, HEZ632070 Multipurpose pan, enamelled, HEZ633001 Lid for professional pan, enamelled, HEZ633070 Professional pan, enamelled, HEZ634000 Baking and roasting grid (standard), HEZ635000 Barbecue-Set, HEZ636000 Glass pan, HEZ638100 1 level telescopic shelf rail, full ext, HEZ638200 2 level telescopic shelf rails, full ext, HEZ638300 3 level telescopic rails, full ext, HEZ660050 Cover Strip, HEZ664000 Baking and roasting grid (steam), HEZ915003 Glass roasting dish, 5,4 L, HEZG0AS00 Connecting cable 3m

**The built-in oven with AutoPilot:
automatically prepares perfect dishes.**

- **4D Hot Air:** even heat distribution for perfect results – on any level.
- **AutoPilot 10:** every dish is a perfect success thanks to 10 pre-set automatic programmes.
- **EcoClean Direct:** easy cleaning thanks to a coating that breaks down grease while you bake.
- **Cleaning Assistance:** less cleaning effort thanks to the new cleaning option, which can be especially used for cleaning of light soiling.
- **Drop Down door with SoftOpen and SoftClose:** the oven door opens and closes gently and quietly

Built-in / Free-standing: Built-in
 Integrated Cleaning system: EcoClean Direct program, Hydrolytic
 Min. required niche size for installation (HxWxD): 585-595 x 560-568 x 550 mm
 Dimensions: 595 x 594 x 548 mm
 Dimensions of the packed product (HxWxD): 675 x 660 x 690 mm
 Control Panel Material: Stainless steel
 Door Material: Glass
 Net weight: 36.0 kg
 Usable volume of cavity: 71 l
 Heating modes:: 4D hotair, Defrost, Full width grill, Hot Air-Eco, Half width grill, Conventional heat, Conventional heat ECO, Pizza setting, low temperature cooking, Bottom heat, Hot air grilling, pre-heating, warming
 Oven control: electronic
 Number of interior lights: 1
 Length electrical supply cord: 120.0 cm
 EAN code: 4242002807768
 Number of cavities (2010/30/EC): 1
 Energy efficiency class: A+
 Energy consumption per cycle conventional (2010/30/EC):0.87 kWh/cycle
 Energy consumption per cycle forced air convection (2010/30/EC):69 kWh/cycle
 Energy efficiency index (2010/30/EC):81.2 %
 Connection rating: 3600 W
 Fuse protection: 16 A
 Voltage: 220-240 V
 Frequency: 60; 50 Hz
 Plug type: Gardy plug w/ earthing
 Included accessories: 1 x enamel baking tray, 1 x combination grid, 1 x universal pan



Series 8, Built-in Oven, 60 x 60 cm, Stainless steel HBG65BS1

The built-in oven with AutoPilot: automatically prepares perfect dishes.

Type of oven / heating system:

- Oven with 13 heating methods:
- 4D hot air, Hot Air-Eco, Conventional top and bottom heat, Conventional heat ECO, Hot air grilling, Variable full width grill, Half width grill, Pizza setting, Bottom heat, low temperature cooking, Defrost setting, Plate warming, Hold warm
- Cavity volume: 71 l

Design:

- Bar handle
- Rotary swivel
- Full glass inner door

Cleaning:

- ecolyse program
- Ecolyse features: ceiling, back panel, side liners

Comfort:

- Drop down door, soft closing, soft opening
- Supporting systems: Programs
- Electronic clock
- Rapid heating-up
- Halogen interior lighting, Switch for oven illumination
- Integral cooling fan

Accessory:

- 1 x universal pan, 1 x combination grid, 1 x enamel baking tray

Comfort and Safety:

- Safety lock
- Automatic safety shut off residual heat indicator start button door contact switch

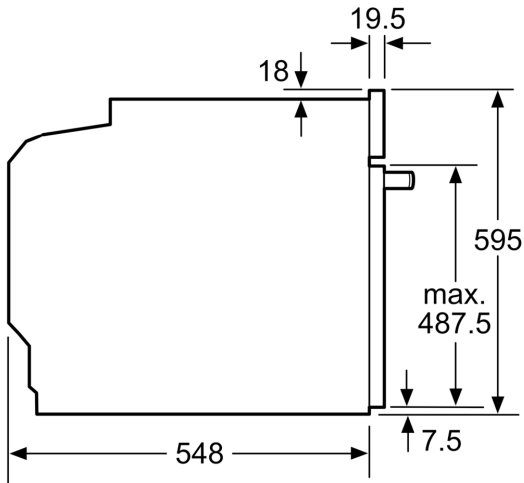
Technical Info:

- Temperature range 30 °C - 300 °C
- Total connected load electric: 3.6 KW
- Energy efficiency rating (acc. EU Nr. 65/2014): A+
- Energy consumption per cycle in conventional mode: 0.87 kWh
- Energy consumption per cycle in fan-forced convection mode: 0.69 kWh
- Number of cavities: 1 Heat source: electrical Cavity volume: 71 l

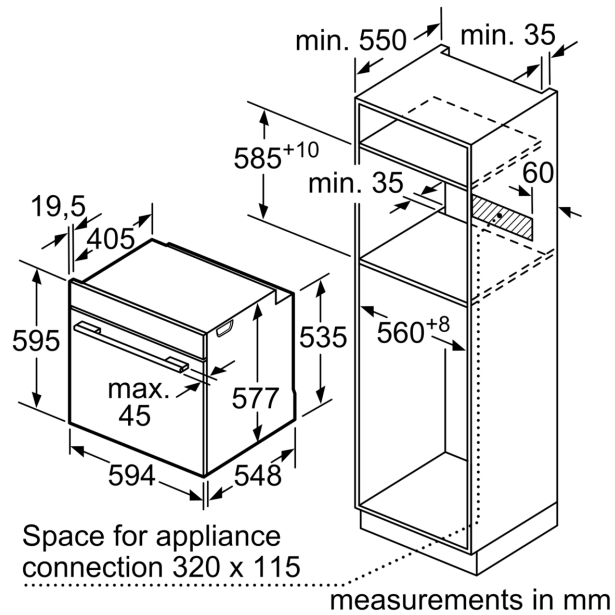
Dimensions:

- Appliance dimension (hxwx): 595 mm x 594 mm x 548 mm
- "Please reference the built-in dimensions provided in the installation drawing"

**Series 8, Built-in Oven, 60 x 60 cm,
Stainless steel
HBG655BS1**



measurements in mm



If the appliance will be installed underneath a hob, the following worktop thicknesses (including substructure if necessary) must be taken into account.

Hob type	min. worktop thickness	
	fitted	flush
Induction hob	37 mm	38 mm
Full surface Induction hob	47 mm	48 mm
Gas hob	30 mm	38 mm
Electric hob	27 mm	30 mm

