

## Series 8, Built-in Oven, 60 x 60 cm, Stainless steel HBG634BS1



A+



1 x enamel baking tray, 1 x combination grid, 1 x universal pan

HEZ327000 Pizza stone, HEZ530000 Half tray, HEZ531010 Baking tray, non-stick ceramic coated, HEZ532010 Universal pan, non-stick ceramic coated, HEZ617000 Pizza pan, enamelled, HEZ625071 Grill tray, anthracite, HEZ631070 Baking tray, enamelled, HEZ632070 Multipurpose pan, enamelled, HEZ633001 Lid for professional pan, enamelled, HEZ633070 Professional pan, enamelled, HEZ634000 Baking and roasting grid (standard), HEZ635000 Barbecue-Set, HEZ636000 Glass pan, HEZ638100 1 level telescopic shelf rail, full ext, HEZ638200 2 level telescopic shelf rails, full ext, HEZ638300 3 level telescopic rails, full ext, HEZ660050 Cover Strip, HEZ664000 Baking and roasting grid (steam), HEZ915003 Glass roasting dish, 5,4 L, HEZG0AS00 Connecting cable 3m

- **4D Hot Air:** even heat distribution for perfect results – on any level.
- **Cleaning Assistance:** less cleaning effort thanks to the new cleaning option, which can be especially used for cleaning of light soiling.
- **EcoClean Direct:** almost no cleaning is necessary thanks to a special coating of the rear wall that automatically absorbs grime.
- **TFT Touch Display:** easy-to-use thanks to the Control Ring with clear text and symbols.
- **Drop Down door with SoftOpen and SoftClose:** the oven door opens and closes gently and quietly

Built-in / Free-standing: ..... Built-in  
 Integrated Cleaning system: ..... EcoClean Direct program, Hydrolytic  
 Min. required niche size for installation (HxWxD): 585-595 x 560-568  
 x 550 mm  
 Dimensions: ..... 595 x 594 x 548 mm  
 Dimensions of the packed product (HxWxD): ..... 670 x 670 x 680 mm  
 Control Panel Material: ..... Stainless steel  
 Door Material: ..... Glass  
 Net weight: ..... 35.2 kg  
 Usable volume of cavity: ..... 71 l  
 Heating modes: 4D hotair, Defrost, Full width grill, Hot Air-Eco, Half  
 width grill, Conventional heat, Conventional heat ECO, Pizza setting,  
 low temperature cooking, Bottom heat, Hot air grilling, pre-heating,  
 warming  
 Oven control: ..... electronic  
 Number of interior lights: ..... 1  
 Length electrical supply cord: ..... 120.0 cm  
 EAN code: ..... 4242002789019  
 Number of cavities (2010/30/EC): ..... 1  
 Energy efficiency class: ..... A+  
 Energy consumption per cycle conventional (2010/30/EC): ..... 0.87  
 kWh/cycle  
 Energy consumption per cycle forced air convection (2010/30/EC): 0.69  
 kWh/cycle  
 Energy efficiency index (2010/30/EC): ..... 81.2 %  
 Connection rating: ..... 3600 W  
 Fuse protection: ..... 16 A  
 Voltage: ..... 220-240 V  
 Frequency: ..... 50; 60 Hz  
 Plug type: ..... GARDY plug w/ earthing  
 Included accessories: 1 x enamel baking tray, 1 x combination grid, 1  
 x universal pan



## **Series 8, Built-in Oven, 60 x 60 cm, Stainless steel HBG634BS1**

---

### **Type of oven / heating system:**

- Oven with 13 heating methods:
- 4D hot air, Hot Air-Eco, Conventional top and bottom heat, Conventional heat ECO, Hot air grilling, Variable full width grill, Half width grill, Pizza setting, Bottom heat, low temperature cooking, Defrost setting, Plate warming, Hold warm
- Cavity volume: 71 l

### **Cleaning:**

- Ecolyse features: back panel
- Drop down door, soft closing, soft opening
- Electronic clock
- Rapid heating-up
- Halogen interior lighting, Switch for oven illumination

### **Accessory:**

- 1 x universal pan, 1 x combination grid, 1 x enamel baking tray

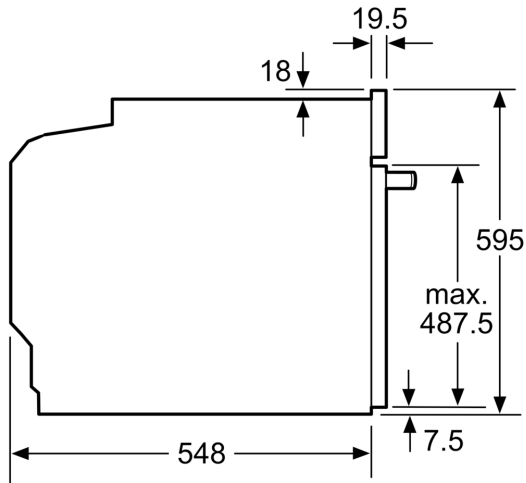
### **Comfort and Safety:**

- Safety lock
- Automatic safety shut off residual heat indicator start button door contact switch

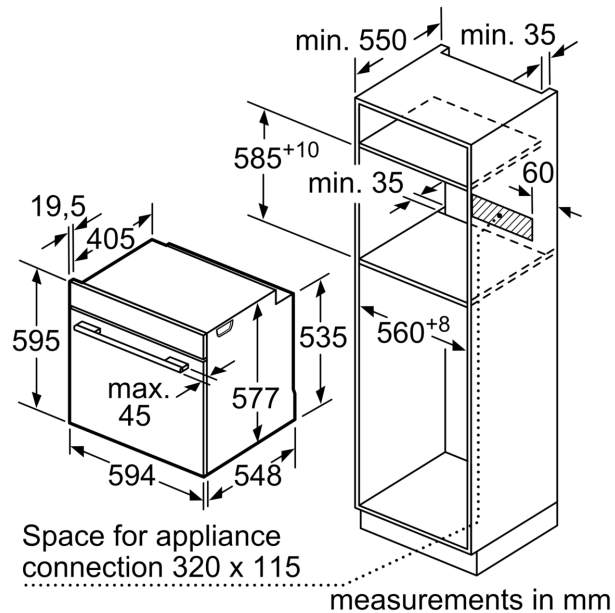
### **Technical Info:**

- Length of mains cable: 120 cm
- Total connected load electric: 3.6 KW
- Appliance dimension (hxwx): 595 mm x 594 mm x 548 mm
- Niche dimension (hxwx): 560 mm - 568 mm x 585 mm - 595 mm x 550 mm
- "Please reference the built-in dimensions provided in the installation drawing"
- Nominal voltage: 220 - 240 V
- Full glass inner door
- Bar handle
- Maximum window temperature 40° C
- Energy efficiency rating (acc. EU Nr. 65/2014): A+
- Energy consumption per cycle in conventional mode: 0.87 kWh
- Energy consumption per cycle in fan-forced convection mode: 0.69 kWh
- Number of cavities: 1 Heat source: electrical Cavity volume: 71 l
- We recommend you to choose complementary products within SER8, in order to assure an optimal design combination of your Built-In appliances.
- Temperature range 30 °C - 300 °C
- Number of shelf levels: 5 PC
- Cavity inner surface: enamel anthracite

**Series 8, Built-in Oven, 60 x 60 cm,  
Stainless steel  
HBG634BS1**



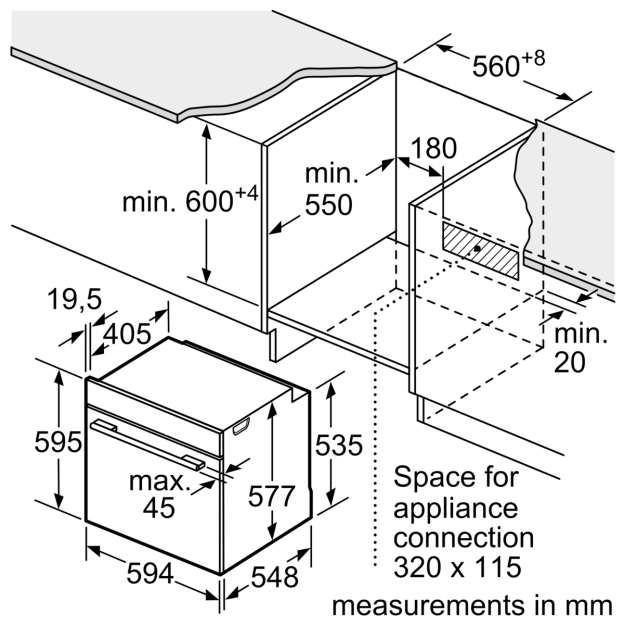
measurements in mm



measurements in mm

If the appliance will be installed underneath a hob, the following worktop thicknesses (including substructure if necessary) must be taken into account.

| Hob type                   | min. worktop thickness |       |
|----------------------------|------------------------|-------|
|                            | fitted                 | flush |
| Induction hob              | 37 mm                  | 38 mm |
| Full surface Induction hob | 47 mm                  | 48 mm |
| Gas hob                    | 30 mm                  | 38 mm |
| Electric hob               | 27 mm                  | 30 mm |



measurements in mm