

**Series 2, Built-in Oven, 60 x 60 cm,  
Stainless steel  
HBF113BS0Z**



**roastingSensor: simply reliable roasting.**

- **LED-display control, red:** easy-to-use thanks to the time functions.
- **Pop-out controls:** Make the front of the oven easy to clean and give it a sleek look.

1 x combination grid, 1 x universal pan

- HEZ317000 Pizza pan, enamelled
- HEZ327000 Pizza stone
- HEZ425001 Grill tray
- HEZ431002 Baking tray, enamelled
- HEZ438201 2 level telescopic shelf rails
- HEZ438301 3 level telescopic shelf rails
- HEZ625071 Grill tray, anthracite
- HEZ915003 Glass roasting dish, 5,4 L

Built-in / Free-standing: ..... Built-in  
 Integrated Cleaning system: ..... No  
 Min. required niche size for installation (HxWxD): 575-597 x 560-568 x 550 mm  
 Dimensions: ..... 595 x 594 x 548 mm  
 Dimensions of the packed product (HxWxD): ..... 660 x 653 x 678 mm  
 Control Panel Material: ..... Stainless steel  
 Door Material: ..... Glass  
 Net weight: ..... 30.9 kg  
 Usable volume of cavity: ..... 66 l  
 Heating modes:: ...Defrost, Hotair gentle, Hot Air, Conventional heat, Hot air grilling, Full width variable grill  
 First cavity material: ..... Other  
 Oven control: ..... mechanical  
 Number of interior lights: ..... 1  
 Length electrical supply cord: ..... 100.0 cm  
 EAN code: .....4242005047185  
 Number of cavities (2010/30/EC): ..... 1  
 Energy efficiency class: .....A  
 Energy consumption per cycle conventional (2010/30/EC): .....0.98 kWh/cycle  
 Energy consumption per cycle forced air convection (2010/30/EC): 0.79 kWh/cycle  
 Energy efficiency index (2010/30/EC): .....95.2 %  
 Connection rating: ..... 3300 W  
 Fuse protection: .....16 A  
 Voltage: ..... 220-240 V  
 Frequency: ..... 60; 50 Hz  
 Plug type: ..... South Africa plug  
 Included accessories: .....1 x combination grid, 1 x universal pan



**Series 2, Built-in Oven, 60 x 60 cm,  
Stainless steel  
HBF113BS0Z**

**roastingSensor: simply reliable roasting.**

---

**Type of oven / heating system:**

- Oven with 6 heating methods: Hot air cooking, Conventional top and bottom heat, Hot air grilling, Defrost setting, Hotair gentle, Variable full width grill
- Temperature range 50 °C - 275 °C
- Cavity volume: 66 l

**Design:**

- Rotary Control, Pop-out controls

**Cleaning:**

- Full glass inner door

**Comfort:**

- Electronic clock
- Rapid heating-up
- Halogen interior lighting
- Integral cooling fan
- Bar handle

**Accessory:**

- 1 x universal pan, 1 x combination grid

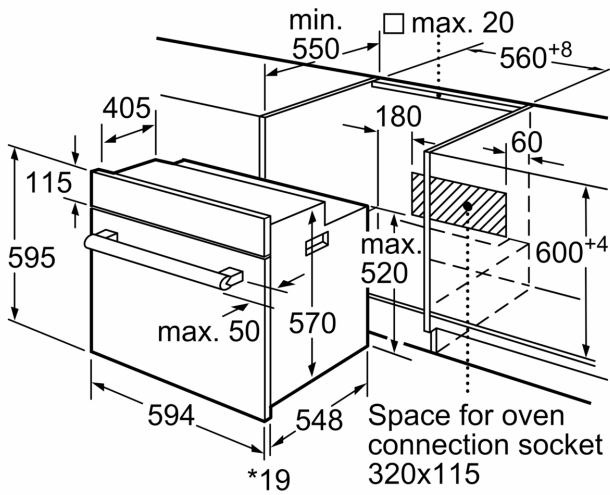
**Technical Info:**

- Nominal voltage: 220 - 240 V
- Total connected load electric: 3.3 KW

**Dimensions:**

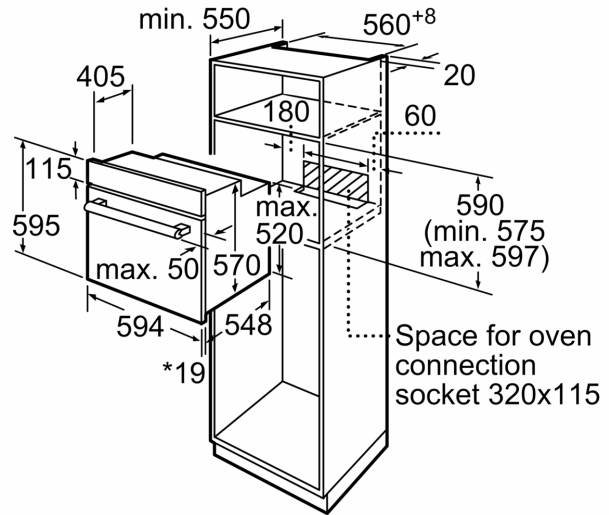
- Appliance dimension (hxwxh): 595 mm x 594 mm x 548 mm
- Niche dimension (hxwxh): 560 mm - 568 mm x 575 mm - 597 mm x 550 mm

**Series 2, Built-in Oven, 60 x 60 cm,  
Stainless steel  
HBF113BS0Z**



\* 20 mm for metal fascias

measurements in mm



\* 20 mm for metal fascias

measurements in mm



\* 20 mm for metal fascias

Dimensions in mm