

**Series 2, Built-in Oven, 60 x 60 cm,  
Stainless steel  
HBF011BR1Z**



1 x combination grid, 1 x universal pan

- HEZ333073 Professional pan, suit. pyrolytic clean.
- HEZ425001 Grill tray
- HEZ431002 Baking tray, enamelled
- HEZ625071 Grill tray, anthracite
- HEZ915003 Glass roasting dish, 5,4 L
- HEZ317000 Pizza pan, enamelled
- HEZ327000 Pizza stone
- HEZ333001 Lid for professional pan

**roastingSensor: simply reliable roasting.**

- **3D Hotair:** perfect results thanks to optimal distribution of heat on up to 3 levels simultaneously.

Built-in / Free-standing: ..... Built-in  
 Integrated Cleaning system: ..... No  
 Min. required niche size for installation (HxWxD): 575-597 x 560-568 x 550 mm  
 Dimensions: ..... 595 x 594 x 548 mm  
 Dimensions of the packed product (HxWxD): ..... 660 x 655 x 685 mm  
 Control Panel Material: ..... Stainless steel  
 Door Material: ..... Glass  
 Net weight: ..... 30.0 kg  
 Usable volume of cavity: ..... 66 l  
 Heating modes: .Defrost, Hot Air, Conventional heat, Hot air grilling, Full width variable grill  
 First cavity material: ..... Other  
 Oven control: ..... mechanical  
 Number of interior lights: ..... 1  
 Length electrical supply cord: ..... 100.0 cm  
 EAN code: .....4242005317561  
 Number of cavities (2010/30/EC): ..... 1  
 Energy efficiency class: .....A  
 Energy consumption per cycle conventional (2010/30/EC): .....0.98 kWh/cycle  
 Energy consumption per cycle forced air convection (2010/30/EC):.82 kWh/cycle  
 Energy efficiency index (2010/30/EC): .....98.8 %  
 Connection rating: ..... 3300 W  
 Fuse protection: .....16 A  
 Voltage: ..... 220-240 V  
 Frequency: ..... 50 Hz  
 Plug type: ..... South Africa plug  
 Included accessories: .....1 x combination grid, 1 x universal pan



## **Series 2, Built-in Oven, 60 x 60 cm, Stainless steel HBF011BR1Z**

### **roastingSensor: simply reliable roasting.**

---

#### **Type of oven / heating system:**

- Temperature range 50 °C - 270 °C
- Cavity volume: 66 l

#### **Hook-in racks / rails**

- Number of shelf levels: 4 PC

#### **Design:**

- Rotary Control
- Cavity inner surface: enamel brown

#### **Comfort:**

- Bar handle
- Rapid heating-up
- Halogen interior lighting
- Integral cooling fan

#### **Accessory:**

- 1 x combination grid, 1 x universal pan

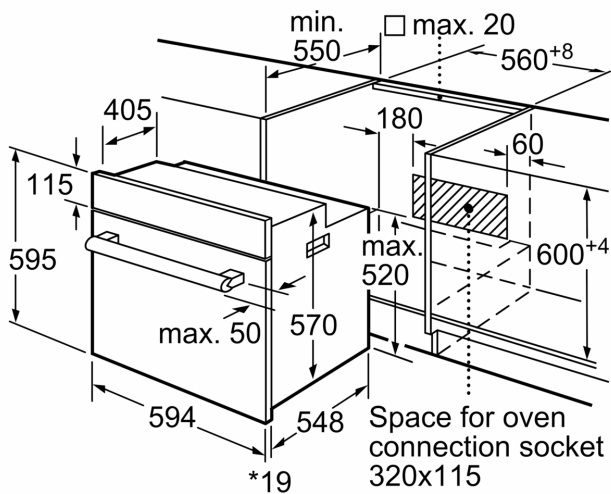
#### **Technical Info:**

- Length of mains cable: 100 cm
- Nominal voltage: 220 - 240 V
- Total connected load electric: 3.3 KW
- Energy efficiency rating (acc. EU Nr. 65/2014): A
- Energy consumption per cycle in conventional mode: 0.98 kWh
- Energy consumption per cycle in fan-forced convection mode: 0.82 kWh
- Number of cavities: 1 Heat source: electrical Cavity volume: 66 l

#### **Dimensions:**

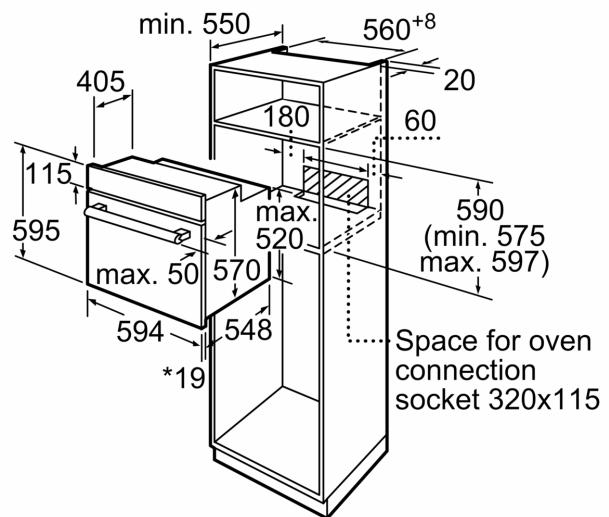
- Appliance dimension (hxwx): 595 mm x 594 mm x 548 mm
- Niche dimension (hxwx): 560 mm - 568 mm x 575 mm - 597 mm x 550 mm
- "Please reference the built-in dimensions provided in the installation drawing"

**Series 2, Built-in Oven, 60 x 60 cm,  
Stainless steel  
HBF011BR1Z**



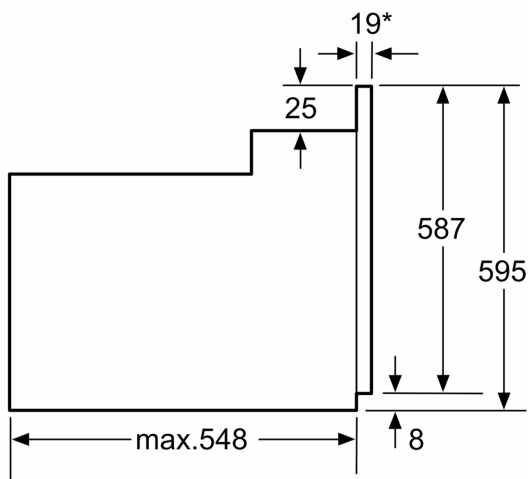
\* 20 mm for metal fascias

measurements in mm



\* 20 mm for metal fascias

measurements in mm



\* 20 mm for metal fascias

Dimensions in mm