

**Series 2, Built-in Oven, 60 x 60 cm,
Stainless steel
HBF010BR1Z**



A



- **3D Hotair:** perfect results thanks to optimal distribution of heat on up to 3 levels simultaneously.

Built-in / Free-standing: Built-in
 Integrated Cleaning system: No
 Min. required niche size for installation (HxWxD): 575-597 x 560-568 x 550 mm
 Dimensions: 595x594x548 mm
 Dimensions of the packed product (HxWxD): 660 x 660 x 681 mm
 Control Panel Material: Stainless steel
 Door Material: Glass
 Net weight: 30.3 kg
 Usable volume of cavity: 66 l
 Heating modes: .Defrost, Hot Air, Conventional heat, Hot air grilling, Full width variable grill
 First cavity material: Other
 Oven control: mechanical
 Number of interior lights: 1
 Length electrical supply cord: 100.0 cm
 EAN code: 4242005317974
 Number of cavities (2010/30/EC): 1
 Energy efficiency class:A
 Energy consumption per cycle conventional (2010/30/EC):0.98 kWh/cycle
 Energy consumption per cycle forced air convection (2010/30/EC): 0.82 kWh/cycle
 Energy efficiency index (2010/30/EC): 98.8 %
 Connection rating: 3300 W
 Fuse protection:16 A
 Voltage: 220-240 V
 Frequency: 50 Hz
 Plug type: South Africa plug
 Included accessories: 1 x enamel baking tray, 1 x combination grid, 1 x universal pan

1 x enamel baking tray, 1 x combination grid, 1 x universal pan

- HEZ317000 Pizza pan, enamelled
- HEZ327000 Pizza stone
- HEZ333001 Lid for professional pan
- HEZ333073 Professional pan, suit. pyrolytic clean.
- HEZ425001 Grill tray
- HEZ431002 Baking tray, enamelled
- HEZ432002 Multipurpose pan, grey enamelled
- HEZ434002 Wire shelf
- HEZ864000 Glass tray
- HEZ915003 Glass roasting dish, 5,4 L



Series 2, Built-in Oven, 60 x 60 cm, Stainless steel HBF010BR1Z

Type of oven / heating system:

- Oven with 5 heating methods: Hot air cooking, Conventional top and bottom heat, Hot air grilling, Defrost setting, Variable full width grill
- Temperature range 50 °C - 270 °C
- Cavity volume: 66 l

Design:

- Rotary Control

Cleaning:

- Sheet metal door

Comfort:

- Drop down door
- Rapid heating-up
- Halogen interior lighting
- Integral cooling fan
- Bar handle

Accessory:

- 1 x enamel baking tray, 1 x combination grid, 1 x universal pan

Technical Info:

- Length of mains cable: 100 cm
- Nominal voltage: 220 - 240 V
- Total connected load electric: 3.3 KW
- Energy efficiency rating (acc. EU Nr. 65/2014): A
- Energy consumption per cycle in conventional mode: 0.98 kWh
- Energy consumption per cycle in fan-forced convection mode: 0.82 kWh
- Number of cavities: 1 Heat source: electrical Cavity volume: 66 l

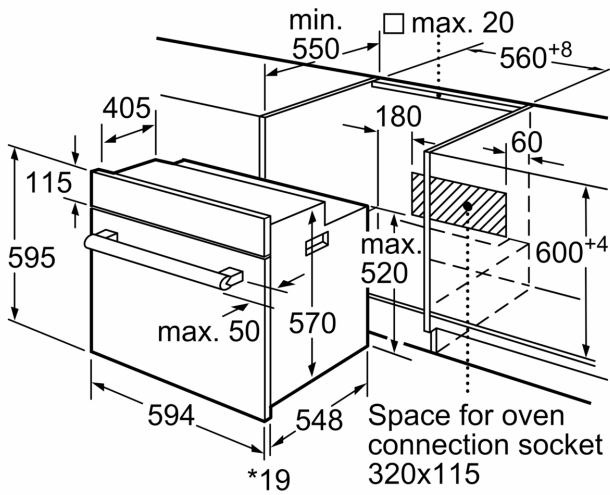
Dimensions:

- Appliance dimension (hxwxh): 595 mm x 594 mm x 548 mm
- Niche dimension (hxwxh): 560 mm - 568 mm x 575 mm - 597 mm x 550 mm
- "Please reference the built-in dimensions provided in the installation drawing"

General Information

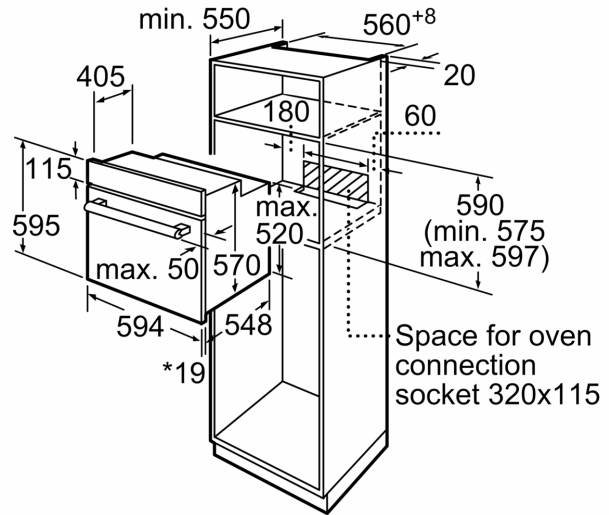
- Number of door glasses: 2

**Series 2, Built-in Oven, 60 x 60 cm,
Stainless steel
HBF010BR1Z**



* 20 mm for metal fascias

measurements in mm



* 20 mm for metal fascias

measurements in mm



* 20 mm for metal fascias

Dimensions in mm