

**iQ700, Built-in Oven, 60 x 60 cm,
Black
HB976GMB1**



A+



Shorten your cooking time thanks to fast preheat, coolStart and activeClean®. And remotely control your oven from anywhere with Home Connect.

- ✓ roastingSensor Plus – Perfect roasting results.
- ✓ 4D hotAir: flexible choice of shelf.
- ✓ cookControl Pro – Excellent results, whatever the recipe or circumstances.
- ✓ fastPreheat: reach the required baking temperature sooner; coolStart: no need to preheat the oven for deep frozen food.
- ✓ varioClip rails Plus – Flexible cooking, baking and steam cooking on every level.

1 x enamel baking tray, 1 x combination grid, 1 x universal pan

HZ915003 Glass roasting dish, 5,4 L, HZG0AS00 Connecting cable 3m, HZ327000 Baking stone, HZ32WA00 Wireless food thermometer, HZ531010 Baking tray, non-stick ceramic coated, HZ532010 Universal pan, non-stick ceramic coated, HZ617000 Pizza pan, enamelled, HZ629070 Air Fry & Grill tray, HZ631070 Baking tray, enamelled, HZ632070 Multipurpose pan, enamelled, HZ633001 Lid for professional pan, enamelled, HZ633070 Professional pan, enamelled, HZ633073 Professional pan, enamelled, HZ634000 Baking and roasting grid (standard), HZ635000 AirFry & Grill Set, HZ638070 Full ext rails, level independent, pyro, HZ664000 Baking and roasting grid (steam), HZ66X650 Cover Strip, HZ6BMA00 Assembly kit for vertical installation

Design: Built-in
 Integrated Cleaning system: Pyrolytic+Hydrolytic
 Min. required niche size for installation (HxWxD): 585-595 x 560-568 x 550 mm
 Dimensions:595 x 594 x 548 mm
 Dimensions of the packed product (HxWxD): ... 670 x 670 x 680 mm
 Control Panel Material:Glass
 Door Material:Glass
 Net weight: 41.0 kg
 Usable volume of cavity: 71 l
 Heating modes:: 4D hotair, Full width grill, Hotair gentle, Half width grill, Conventional heat, Conventional heat gentle, Pizza setting, low temperature cooking, Deep-frozen food special, Bottom heat, Hot air grilling, pre-heating, warming
 Oven control:electronic
 Number of interior lights:1
 Length electrical supply cord: 120.0 cm
 EAN code:4242003902097
 Number of cavities (2010/30/EC):1
 Energy efficiency:A+: efficient
 Energy consumption per cycle conventional (2010/30/EC):0.87 kWh/cycle
 Energy consumption per cycle forced air convection (2010/30/EC): 0.69 kWh/cycle
 Energy efficiency index (2010/30/EC): 81.2 %
 Connection rating: 3600 W
 Fuse protection: 16 A
 Voltage:220-240 V
 Frequency:50; 60 Hz
 Plug type: Gardy plug w/ earthing
 Included accessories: 1 x enamel baking tray, 1 x combination grid, 1 x universal pan



iQ700, Built-in Oven, 60 x 60 cm, Black HB976GMB1

Type of oven / heating system:

- Oven with 13 heating methods: 4D hot air, Conventional cooking, hot air grilling, Full width grill, Half width grill, Intensive hot air, Deep-frozen food special, Bottom heat, low temperature cooking, Plate warming setting, Hold warm setting, Hotair gentle, Conventional heat gentle
- Temperature range 30 °C - 300 °C
- Cavity volume: 71 l

Hook-in racks / rails

- Number of shelf levels: 5 PC
- full extension, Detend function, pyrolytic proof, 1 Clip-on rail

Design:

- black Steel Design
- Touch control
- studioLine Glass handle
- Cavity inner surface: enamel anthracite

Cleaning:

- pyroKlean function
- hydrolyse program
- Full glass inner door

Comfort:

- Oven Assistant with Voice Control
- LED clock and automatic programmer
- Temperature proposal
- Actual temperature display Heating-up control
- Drop down door, soft closing, soft opening
- Supporting systems: Dish categories
- yes
- Rapid heating-up
- coolStart
- LED light, Independent oven interior light button
- Integral cooling fan
- WLAN

Accessory:

- 1 x enamel baking tray, 1 x combination grid, 1 x universal pan

Comfort and Safety:

- 30 °C
- Low door temperature during pyrolytic cleaning
- door lock electronical
- Child safety button Automatic safety switch off residual heat indicator start button door contact switch

Technical Info:

- Length of mains cable: 120 cm
- Nominal voltage: 220 - 240 V
- Total connected load electric: 3.6 KW
- Energy efficiency rating (acc. EU Nr. 65/2014): A+

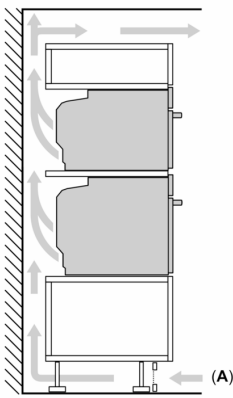
- Energy consumption per cycle in conventional mode: 0.87 kWh
- Energy consumption per cycle in fan-forced convection mode: 0.69 kWh
- Number of cavities: 1 Heat source: electrical Cavity volume: 71 l

Dimensions:

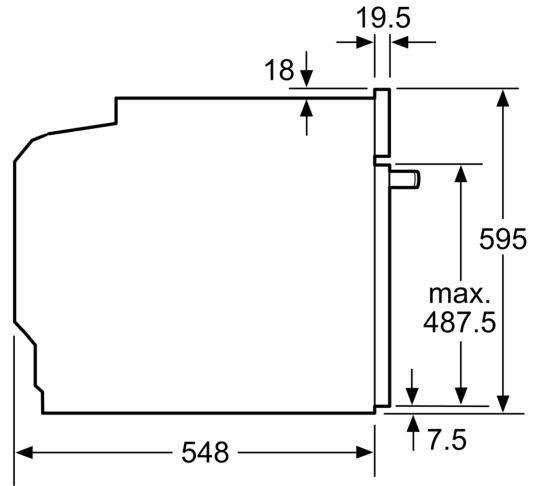
- Appliance dimension (hxwxh): 595 mm x 594 mm x 548 mm
- Niche dimension (hxwxh): 560 mm - 568 mm x 585 mm - 595 mm x 550 mm
- "Please reference the built-in dimensions provided in the installation drawing"

iQ700, Built-in Oven, 60 x 60 cm,
 Black
 HB976GMB1

Installing two appliances on top of each other
 Air exchange

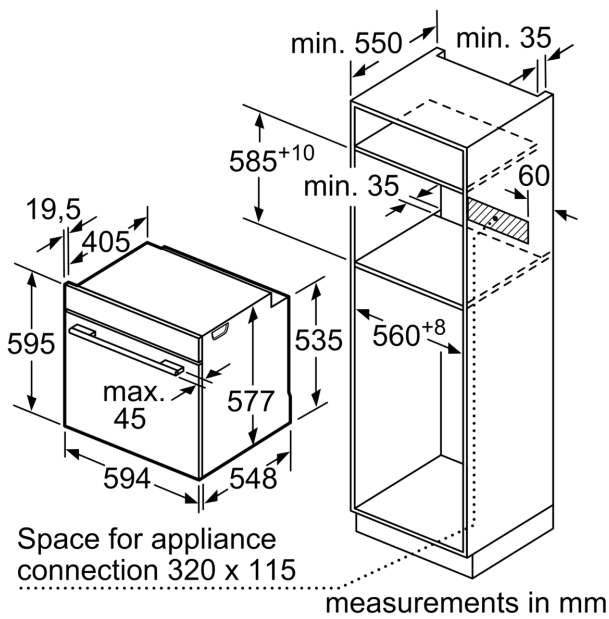


A: Air inlet $\geq 200 \text{ cm}^2$



measurements in mm

If the appliance will be installed underneath a hob, the following worktop thicknesses (including substructure if necessary) must be taken into account.



Hob type	min. worktop thickness	
	fitted	flush
Induction hob	37 mm	38 mm
Full surface Induction hob	47 mm	48 mm
Gas hob	30 mm	38 mm
Electric hob	27 mm	30 mm

