

## iQ700, Built-in Oven, 60 x 60 cm, Black HB876G8B6



A



Shorten your cooking time thanks to fast preheat, coolStart and activeClean®. And remotely control your oven from anywhere with Home Connect.

- ✓ Home Connect: access to your oven via smartphone or tablet.
- ✓ 4D hotAir: flexible choice of shelf.
- ✓ roastingSensor Plus – Three-point thermometer for excellent roasts every time.
- ✓ cookControl Plus: guaranteed success for numerous dishes.
- ✓ fastPreheat: reach the required baking temperature sooner; coolStart: no need to preheat the oven for deep frozen food.

Design: ..... Built-in  
 Integrated Cleaning system: ..... Pyrolytic+Hydrolytic  
 Min. required niche size for installation (HxWxD): ..... 585-595 x 560-568 x 550 mm  
 Dimensions: ..... 595 x 594 x 548 mm  
 Dimensions of the packed product (HxWxD): ... 670 x 670 x 680 mm  
 Control Panel Material: ..... Glass  
 Door Material: ..... Glass  
 Net weight: ..... 41.0 kg  
 Usable volume of cavity: ..... 71 l  
 Heating modes: .. 4D hotair, Full width grill, Hot Air-Eco, Half width grill, Conventional heat, Conventional heat ECO, Pizza setting, low temperature cooking, Deep-frozen food special, Bottom heat, Hot air grilling, pre-heating, warming  
 Oven control: ..... electronic  
 Number of interior lights: ..... 1  
 Length electrical supply cord: ..... 120.0 cm  
 EAN code: ..... 4242003789582  
 Number of cavities (2010/30/EC): ..... 1  
 Energy efficiency: ..... A  
 Energy consumption per cycle conventional (2010/30/EC): ..... 0.90 kWh/cycle  
 Energy consumption per cycle forced air convection (2010/30/EC): 0.74 kWh/cycle  
 Energy efficiency index (2010/30/EC): ..... 87.1 %  
 Connection rating: ..... 3600 W  
 Fuse protection: ..... 16 A  
 Voltage: ..... 220-240 V  
 Frequency: ..... 60; 50 Hz  
 Plug type: ..... Gardy plug w/ earthing  
 Included accessories: ..... 1 x enamel baking tray, 1 x combination grid, 1 x universal pan



4 242003 789582

1 x enamel baking tray, 1 x combination grid, 1 x universal pan

HZ327000 Baking stone, HZ531010 Baking tray, non-stick ceramic coated, HZ532010 Universal pan, non-stick ceramic coated, HZ617000 Pizza pan, enamelled, HZ625071 Grill tray, enamelled, HZ631070 Baking tray, enamelled, HZ632070 Multipurpose pan, enamelled, HZ633001 Lid for professional pan, enamelled, HZ633070 Professional pan, enamelled, HZ634000 Baking and roasting grid (standard), HZ636000 Glass pan, HZ664000 Baking and roasting grid (steam), HZ66X650 Cover Strip, HZ6BMA00 Assembly kit for vertical installation, HZ915003 Glass roasting dish, 5,4 L, HZG0AS00 Connecting cable 3m

## iQ700, Built-in Oven, 60 x 60 cm, Black HB876G8B6

### Type of oven / heating system:

- Oven with 13 heating methods:
- 4D hot air, Hot Air-Eco, Conventional cooking, Conventional heat ECO, hot air grilling, Full width grill, Half width grill, Intensive hot air, Deep-frozen food special, Bottom heat, low temperature cooking, Plate warming setting, Hold warm setting
- Temperature range 30 °C - 300 °C
- Cavity volume: 71 l

### Design:

- black Steel Design
- Cavity inner surface: enamel anthracite

### Cleaning:

- pyroKlean function

### Comfort:

- Supporting systems: Dish categories
- multipoint temperature probe
- LED clock and automatic programmer
- Rapid heating-up
- Halogen interior lighting, Independent oven interior light button
- Integral cooling fan

### Hook-in racks / rails

### Accessory:

- 1 x enamel baking tray, 1 x combination grid, 1 x universal pan

### Comfort and Safety:

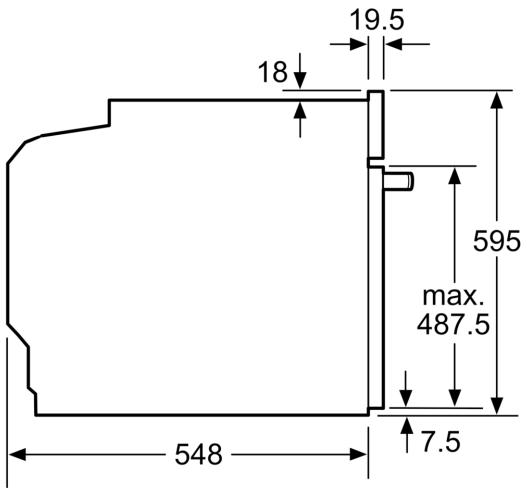
- door lock electronical
- Child safety button Automatic safety switch off residual heat indicator start button door contact switch
- Drop down door, soft closing, soft opening

### Technical Info:

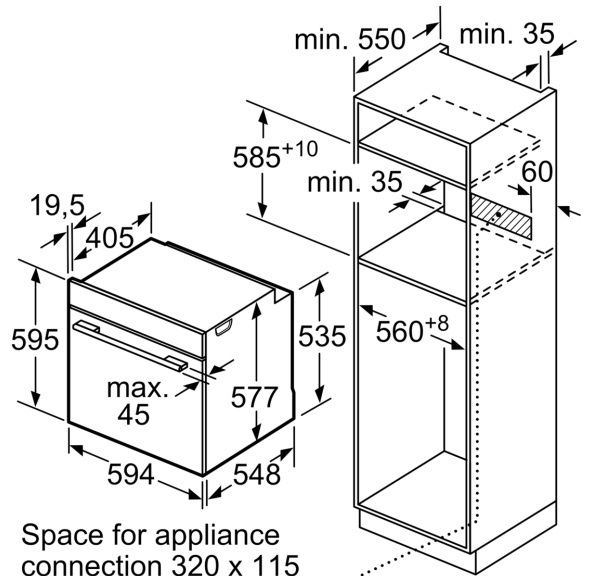
- Length of mains cable: 120 cm
- Total connected load electric: 3.6 KW
- Appliance dimension (hxwx): 595 mm x 594 mm x 548 mm
- Niche dimension (hxwx): 560 mm - 568 mm x 585 mm - 595 mm x 550 mm
- "Please reference the built-in dimensions provided in the installation drawing"
- Number of shelf levels: 5 PC
- 3 level telescopic shelf rails, full extension, Detend function, pyrolytic proof
- Rotary Control
- Full glass inner door
- coolStart
- Energy efficiency rating (acc. EU Nr. 65/2014): A
- Energy consumption per cycle in conventional mode: 0.9 kWh
- Energy consumption per cycle in fan-forced convection mode: 0.74 kWh
- Number of cavities: 1 Heat source: electrical Cavity volume: 71 l

- We recommend you to choose complementary products within iQ700, in order to assure an optimal design combination of your Built-In appliances.

iQ700, Built-in Oven, 60 x 60 cm,  
 Black  
 HB876G8B6



measurements in mm

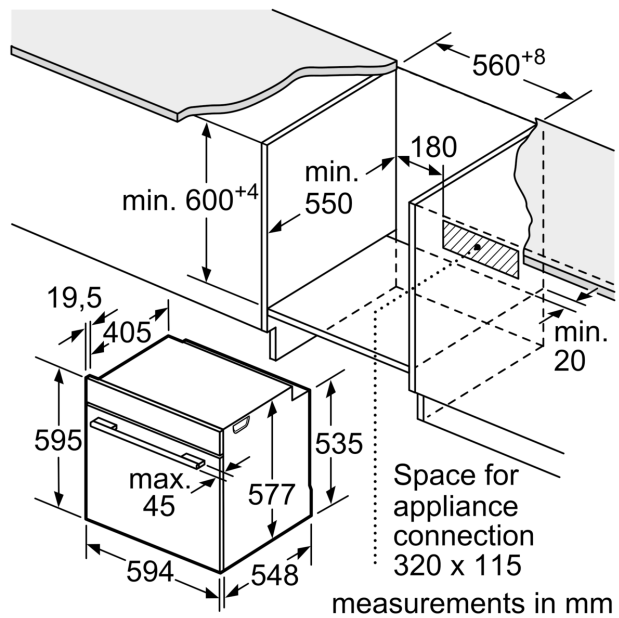


Space for appliance connection 320 x 115

measurements in mm

If the appliance will be installed underneath a hob, the following worktop thicknesses (including substructure if necessary) must be taken into account.

Hob type	min. worktop thickness	
	fitted	flush
Induction hob	37 mm	38 mm
Full surface Induction hob	47 mm	48 mm
Gas hob	30 mm	38 mm
Electric hob	27 mm	30 mm



Space for appliance connection 320 x 115

measurements in mm