

iQ700, Built-in Oven, HB673G0S1A



Included accessories

- 1 x grill tray
- suit. pyrol. clean.
- 2 x combination grid
- 1 x universal pan

Optional accessories

- HZ327000 Baking stone

"The oven offers modern baking and roasting convenience for best results."

- ✓ 4D hotAir: flexible choice of shelf.
- ✓ TFT Display: good readability from any perspective.
- ✓ activeClean: the automatic system for effortless cleaning.
- ✓ Energy efficiency class A+: For more efficient roasting and baking.
- ✓ cookControl Plus: guaranteed success for numerous dishes.

Features

Technical data

Built-in / Free-standing : Built-in
 Integrated Cleaning system : Pyrolytic
 Required niche size for installation (HxWxD) : 585-595 x 560-568 x 550
 Dimensions of the product (mm) : 595 x 594 x 548
 Dimensions of the packed product (HxWxD) (mm) : 670 x 680 x 670
 Control Panel Material : Stainless steel
 Door Material : Glass
 Net weight (kg) : 39.872
 Usable volume of cavity (l) : 71
 Cooking method : , 4D hot air, Bottom heat, Conventional heat, Deep-frozen food special, Full width grill, Half width grill, Hot Air-Eco, Hot air grilling, Pizza setting
 First cavity material : Enamelled
 Number of interior lights : 1
 Approval certificates : CE, VDE
 Length electrical supply cord (cm) : 120
 Interior Lights - cavity 1 : 1
 Pull-out system : 1-level
 Clock function : Alarm, Off, On
 Included accessories : 1 x grill tray, suit. pyrol. clean., 2 x combination grid, 1 x universal pan
 Broil Element Wattages cavity 1 (W) : 2800
 Convection Element Wattages cavity 1 (W) : 2200
 Energy efficiency class (2010/30/EC) : A+
 Energy consumption per cycle conventional (2010/30/EC) : 0.87
 Energy consumption per cycle forced air convection (2010/30/EC) : 0.69
 Energy efficiency index (2010/30/EC) : 81.2
 Connection Rating (W) : 3600
 Current (A) : 16
 Voltage (V) : 220-240
 Frequency (Hz) : 60; 50
 Plug type : no plug
 Energy input : Electric
 Approval certificates : CE, VDE
 Required cutout/niche size for installation (in) : x x
 Dimensions of the packed product (in) : 26.37 x 26.37 x 26.77
 Net weight (lbs) : 88.000
 Gross weight (lbs) : 93
 Length electrical supply cord (cm) : 120
 Net weight (kg) : 39.872
 Gross weight (kg) : 42.0



iQ700, Built-in Oven, HB673G0S1A

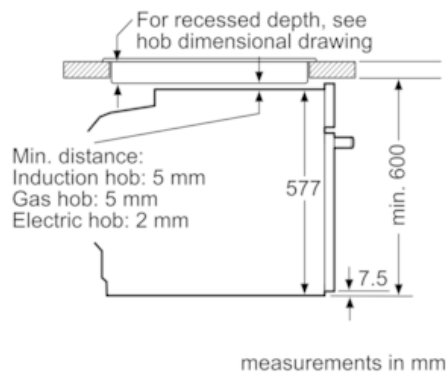
Features

- Oven with 10 heating methods:
- 4D hot air, Hot Air-Eco, Conventional cooking, Conventional heat ECO, hot air grilling, Full width grill, Half width grill, Intensive hot air, Deep-frozen food special, Bottom heat
- Temperature range 30 °C - 300 °C
- Cavity volume: 71 l
- Rotary knob
- Cavity inner surface: Enamel anthracite
- pyroKlean function
- Pyrolytic proof trayholder and baking tray
- Full glass inner door
- Temperature proposal
- Actual temperature display
- heating-up control
- automatic programming
- Sabbath setting
- Number of automatic programmes: 10 PC
- LED clock and automatic programmer
- Rapid heating-up
- Integral cooling fan
- Stainless-steel fan
- Info button
- Cavity with shelf support rails, 1 level telescopic shelf, full extension, Detend function, pyrolytic proof

iQ700, Built-in Oven,
HB673G0S1A

Dimensioned drawings

Installation with a hob.



If the appliance will be installed underneath a hob, the following worktop thicknesses (including substructure if necessary) must be taken into account.

Hob type	min. worktop thickness	
	fitted	flush
Induction hob	37 mm	38 mm
Full surface Induction hob	47 mm	48 mm
Gas hob	30 mm	38 mm
Electric hob	27 mm	30 mm

