

iQ700, Built-in Oven, 60 x 60 cm, Stainless steel HB636GBS1



A+



- ✓ 4D hotAir: flexible choice of shelf.
- ✓ cookControl Plus: guaranteed success for numerous dishes.
- ✓ fastPreheat: reach the required baking temperature sooner;
- coolStart: no need to preheat the oven for deep frozen food.
- ✓ TFT Touchdisplay: user-friendly menu navigation with good display features.
- ✓ softMove: gentle opening and closing of the oven door.

1 x enamel baking tray, 1 x combination grid, 1 x universal pan

HZ327000 Baking stone, HZ531010 Baking tray, non-stick ceramic coated, HZ532010 Universal pan, non-stick ceramic coated, HZ617000 Pizza pan, enamelled, HZ625071 Grill tray, enamelled, HZ631070 Baking tray, enamelled, HZ632070 Multipurpose pan, enamelled, HZ633001 Lid for professional pan, enamelled, HZ633070 Professional pan, enamelled, HZ634000 Baking and roasting grid (standard), HZ636000 Glass pan, HZ638100 1 level telescopic shelf rails, full ext, HZ638200 2 level telescopic shelf rails, full ext, HZ638300 3 level telescopic rails, full ext, HZ664000 Baking and roasting grid (steam), HZ66X650 Cover Strip, HZ915003 Glass roasting dish, 5,4 L, HZG0AS00 Connecting cable 3m

Design: Built-in
 Integrated Cleaning system: ecoClean Plus program, Hydrolytic
 Min. required niche size for installation (HxWxD): 585-595 x 560-568 x 550 mm
 Dimensions: 595 x 594 x 548 mm
 Dimensions of the packed product (HxWxD): ... 675 x 660 x 690 mm
 Control Panel Material: Stainless steel
 Door Material: Glass
 Net weight: 36.2 kg
 Usable volume of cavity: 71 l
 Heating modes: .. 4D hotair, Full width grill, Hot Air-Eco, Half width grill, Conventional heat, Conventional heat ECO, Pizza setting, low temperature cooking, Deep-frozen food special, Bottom heat, Hot air grilling, pre-heating, warming
 Oven control: electronic
 Number of interior lights: 1
 Length electrical supply cord: 120.0 cm
 EAN code: 4242003672402
 Number of cavities (2010/30/EC): 1
 Energy efficiency: A+: efficient
 Energy consumption per cycle conventional (2010/30/EC): 0.87 kWh/cycle
 Energy consumption per cycle forced air convection (2010/30/EC): 0.69 kWh/cycle
 Energy efficiency index (2010/30/EC): 81.2 %
 Connection rating: 3600 W
 Fuse protection: 16 A
 Voltage: 220-240 V
 Frequency: 60; 50 Hz
 Plug type: Gardy plug w/ earthing
 Included accessories: 1 x enamel baking tray, 1 x combination grid, 1 x universal pan



iQ700, Built-in Oven, 60 x 60 cm, Stainless steel HB636GBS1

Type of oven / heating system:

- Oven with 13 heating methods:
- 4D hot air, Hot Air-Eco, Conventional cooking, Conventional heat ECO, hot air grilling, Full width grill, Half width grill, Intensive hot air, Deep-frozen food special, Bottom heat, low temperature cooking, Plate warming setting, Hold warm setting
- Cavity volume: 71 l

Cleaning:

- Cavity inner surface: enamel anthracite
- Ecolyse features: back panel

Comfort:

- Rotary Control
- Bar handle
- Drop down door, soft closing, soft opening
- Supporting systems: Dish categories
- LED clock and automatic programmer
- Rapid heating-up
- Halogen interior lighting, Independent oven interior light button

Accessory:

- 1 x universal pan, 1 x combination grid, 1 x enamel baking tray

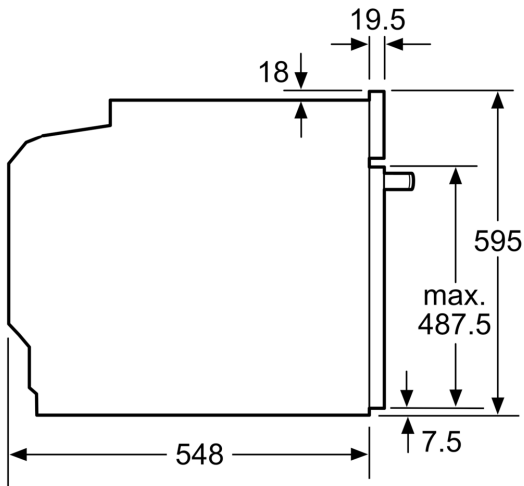
Comfort and Safety:

- Child safety button
- Automatic safety switch off residual heat indicator start button door contact switch

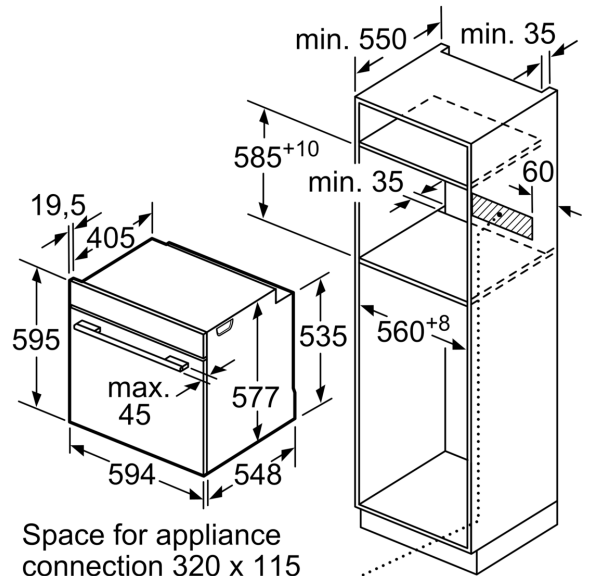
Technical Info:

- Total connected load electric: 3.6 KW
- Appliance dimension (hxwxd): 595 mm x 594 mm x 548 mm
- Niche dimension (hxwxd): 560 mm - 568 mm x 585 mm - 595 mm x 550 mm
- "Please reference the built-in dimensions provided in the installation drawing"
- Accessory
- Number of shelf levels: 5 PC
- coolStart
- Temperature range 30 °C - 300 °C
- Maximum window temperature 40° C
- Energy efficiency rating (acc. EU Nr. 65/2014): A+
- Energy consumption per cycle in conventional mode: 0.87 kWh
- Energy consumption per cycle in fan-forced convection mode: 0.69 kWh
- Number of cavities: 1 Heat source: electrical Cavity volume: 71 l
- We recommend you to choose complementary products within iQ700, in order to assure an optimal design combination of your Built-In appliances.

iQ700, Built-in Oven, 60 x 60 cm,
Stainless steel
HB636GBS1



measurements in mm

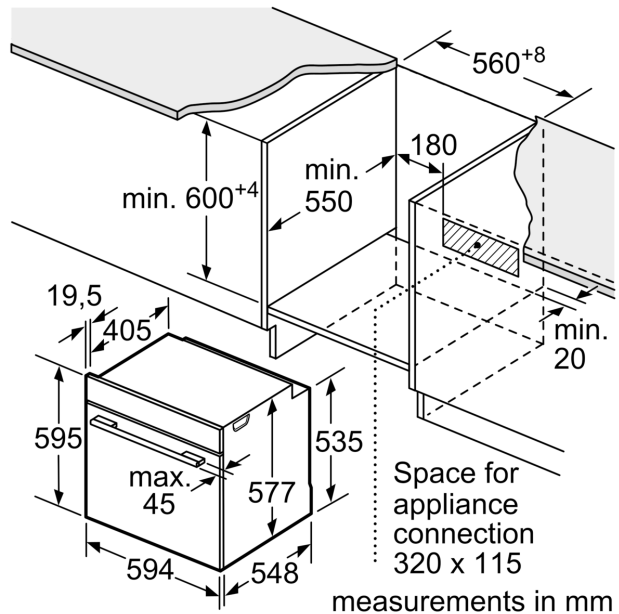


Space for appliance connection 320 x 115

measurements in mm

If the appliance will be installed underneath a hob, the following worktop thicknesses (including substructure if necessary) must be taken into account.

Hob type	min. worktop thickness	
	fitted	flush
Induction hob	37 mm	38 mm
Full surface Induction hob	47 mm	48 mm
Gas hob	30 mm	38 mm
Electric hob	27 mm	30 mm



Space for appliance connection 320 x 115

measurements in mm