

## iQ700, Built-in Oven, 60 x 60 cm, HB634GBS1



- ✓ fastPreheat: reach the required baking temperature sooner; coolStart: no need to preheat the oven for deep frozen food.
- ✓ 4D hotAir: flexible choice of shelf.
- ✓ softMove: gentle opening and closing of the oven door.
- ✓ No need to preheat the oven – coolStart.

### Features

#### Technical data

Built-in / Free-standing : Built-in  
 Integrated Cleaning system : catalytic partial, Hydrolytic  
 Required niche size for installation (HxWxD) : 585-595 x 560-568 x 550 mm  
 Dimensions : 595 x 594 x 548 mm  
 Dimensions of the packed product (HxWxD) : 675 x 690 x 660 mm  
 Control Panel Material : Stainless steel  
 Door Material : Glass  
 Net weight : 35.118 kg  
 Usable volume of cavity : 71 l  
 Cooking method : 4D hot air, Bottom heat, Conventional heat, Full width grill, Half width grill, Hot Air-Eco, Hot air grilling, low temperature cooking, Pizza setting, pre-heating, warming  
 Number of interior lights : 1  
 Approval certificates : CE, VDE  
 Length electrical supply cord : 120 cm  
 Interior Lights - cavity 1 : 1  
 Pull-out system : Accessory  
 Clock function : Alarm, Off, On  
 Included accessories : 1 x enamel baking tray, 1 x combination grid, 1 x universal pan  
 Broil Element Wattages cavity 1 : 2800 W  
 Convection Element Wattages cavity 1 : 2200 W  
 Energy efficiency rating : A+  
 Energy consumption per cycle conventional (2010/30/EC) : 0.87 kWh/cycle  
 Energy consumption per cycle forced air convection (2010/30/EC) : 0.69 kWh/cycle  
 Energy efficiency index (2010/30/EC) : 81.2 %  
 Connection Rating : 3600 W  
 Fuse protection : 16 A  
 Voltage : 220-240 V  
 Frequency : 60; 50 Hz  
 Plug type : GARDY plug w/ earthing  
 Alternative colors available : HB634GBW1  
 Energy input : Electric  
 Approval certificates : CE, VDE  
 Required cutout/niche size for installation (in) : x x  
 Dimensions of the packed product : 26.57 x 25.98 x 27.16  
 Net weight : 77.000 lbs  
 Gross weight : 83.000 lbs  
 Length electrical supply cord : 120 cm  
 Net weight : 35.118 kg  
 Gross weight : 37.5 kg

#### Included accessories

- 1 x enamel baking tray
- 1 x combination grid
- 1 x universal pan

#### Optional accessories

- HZ327000 Baking stone

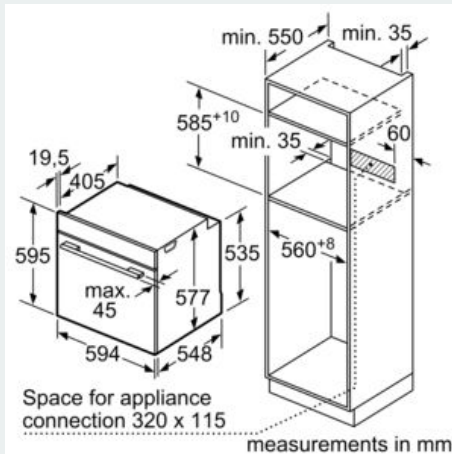
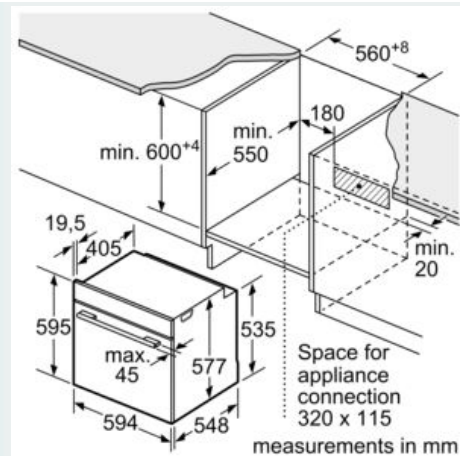
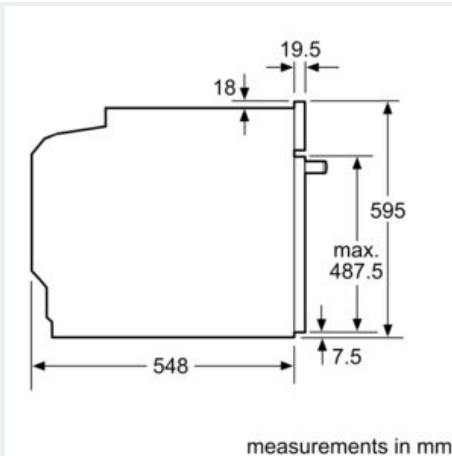


**iQ700, Built-in Oven, 60 x 60 cm,  
HB634GBS1****Features****Type of oven / heating system:**

- Oven with 13 heating methods: 4D hot air, Hot Air-Eco, Conventional cooking, Conventional heat ECO, hot air grilling, Full width grill, Half width grill, Intensive hot air, Deep-frozen food special, Bottom heat, low temperature cooking, Plate warming setting, Hold warm setting
- Cavity volume: 71 l
- LED clock and automatic programmer
- Rapid heating-up
- Halogen interior lighting, Independent oven interior light button
- Integral cooling fan
- Total connected load electric: 3.6 KW

## iQ700, Built-in Oven, 60 x 60 cm, HB634GBS1

### Dimensioned drawings



If the appliance will be installed underneath a hob, the following worktop thicknesses (including substructure if necessary) must be taken into account.

Hob type	min. worktop thickness	
	fitted	flush
Induction hob	37 mm	38 mm
Full surface Induction hob	47 mm	48 mm
Gas hob	30 mm	38 mm
Electric hob	27 mm	30 mm