

**iQ700, Built-in Oven, 60 x 60 cm,
Stainless steel
HB633GBS1**



A+



1 x combination grid, 1 x universal pan

HZ327000 Baking stone, HZ531010 Baking tray, non-stick ceramic coated, HZ532010 Universal pan, non-stick ceramic coated, HZ617000 Pizza pan, enamelled, HZ625071 Grill tray, enamelled, HZ631070 Baking tray, enamelled, HZ632070 Multipurpose pan, enamelled, HZ633001 Lid for professional pan, enamelled, HZ633070 Professional pan, enamelled, HZ634000 Baking and roasting grid (standard), HZ636000 Glass pan, HZ638100 1 level telescopic shelf rails, full ext, HZ638200 2 level telescopic shelf rails, full ext, HZ638300 3 level telescopic rails, full ext, HZ664000 Baking and roasting grid (steam), HZ66X650 Cover Strip, HZ915003 Glass roasting dish, 5,4 L, HZG0AS00 Connecting cable 3m

Shorten your cooking time thanks to fast preheat and coolStart.

- ✓ 4D hotAir: flexible choice of shelf.
- ✓ fastPreheat: reach the required baking temperature sooner; coolStart: no need to preheat the oven for deep frozen food.
- ✓ Good readability from any perspective - TFT-Display.
- ✓ softMove: gentle opening and closing of the oven door.

Design: Built-in
Integrated Cleaning system: Hydrolytic
Min. required niche size for installation (HxWxD): 585-595 x 560-568 x 550 mm
Dimensions: 595 x 594 x 548 mm
Dimensions of the packed product (HxWxD): ... 670 x 670 x 680 mm
Control Panel Material: Stainless steel
Door Material: Glass
Net weight: 34.2 kg
Usable volume of cavity: 71 l
Heating modes: .. 4D hotair, Full width grill, Hot Air-Eco, Half width grill, Conventional heat, Conventional heat ECO, Pizza setting, Deep-frozen food special, Bottom heat, Hot air grilling
Oven control: electronic
Number of interior lights: 1
Length electrical supply cord: 120.0 cm
EAN code: 4242003672365
Number of cavities (2010/30/EC): 1
Energy efficiency: A+: efficient
Energy consumption per cycle conventional (2010/30/EC): 0.87 kWh/cycle
Energy consumption per cycle forced air convection (2010/30/EC): 0.69 kWh/cycle
Energy efficiency index (2010/30/EC): 81.2 %
Connection rating: 3600 W
Fuse protection: 16 A
Voltage: 220-240 V
Frequency: 60; 50 Hz
Plug type: Gardy plug w/ earthing
Included accessories: 1 x combination grid, 1 x universal pan



iQ700, Built-in Oven, 60 x 60 cm, Stainless steel HB633GBS1

Type of oven / heating system:

- Oven with 10 heating methods:
- 4D hot air, Hot Air-Eco, Conventional cooking, Conventional heat ECO, hot air grilling, Full width grill, Half width grill, Intensive hot air, Deep-frozen food special, Bottom heat
- Temperature range 30 °C - 300 °C
- Cavity volume: 71 l

Design:

- Rotary Control
- Bar handle

Cleaning:

- Cavity inner surface: enamel anthracite

Comfort:

- Drop down door, soft closing, soft opening
- LED clock and automatic programmer
- Rapid heating-up
- Halogen interior lighting, Independent oven interior light button
- Integral cooling fan

Accessory:

- 1 x combination grid, 1 x universal pan

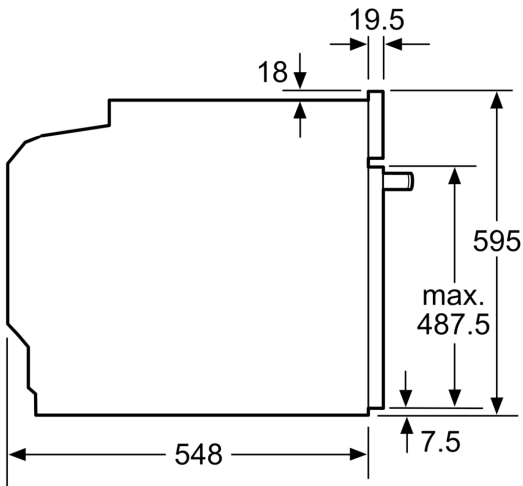
Comfort and Safety:

- Child safety button
- Automatic safety switch off residual heat indicator start button door contact switch
- coolStart

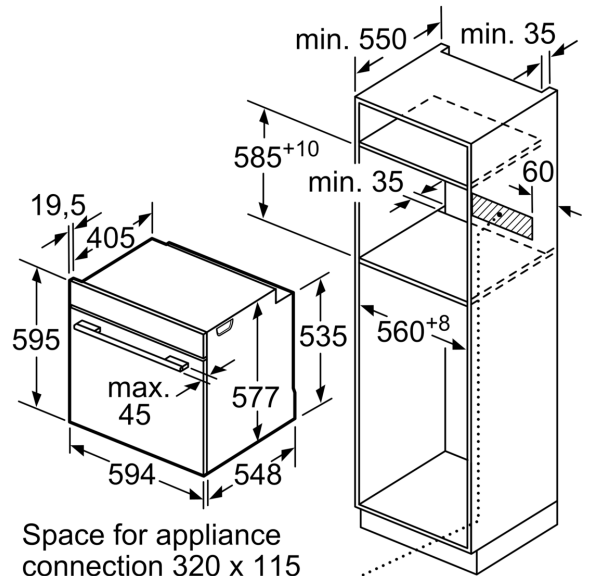
Technical Info:

- Total connected load electric: 3.6 KW
- Appliance dimension (hxwxh): 595 mm x 594 mm x 548 mm
- Niche dimension (hxwxh): 560 mm - 568 mm x 585 mm - 595 mm x 550 mm
- "Please reference the built-in dimensions provided in the installation drawing"
- Accessory
- Energy efficiency rating (acc. EU Nr. 65/2014): A+
- Energy consumption per cycle in conventional mode: 0.87 kWh
- Energy consumption per cycle in fan-forced convection mode: 0.69 kWh
- Number of cavities: 1 Heat source: electrical Cavity volume: 71 l
- Number of shelf levels: 5 PC
- Maximum window temperature 40° C
- We recommend you to choose complementary products within iQ700, in order to assure an optimal design combination of your Built-In appliances.

iQ700, Built-in Oven, 60 x 60 cm,
Stainless steel
HB633GBS1



measurements in mm

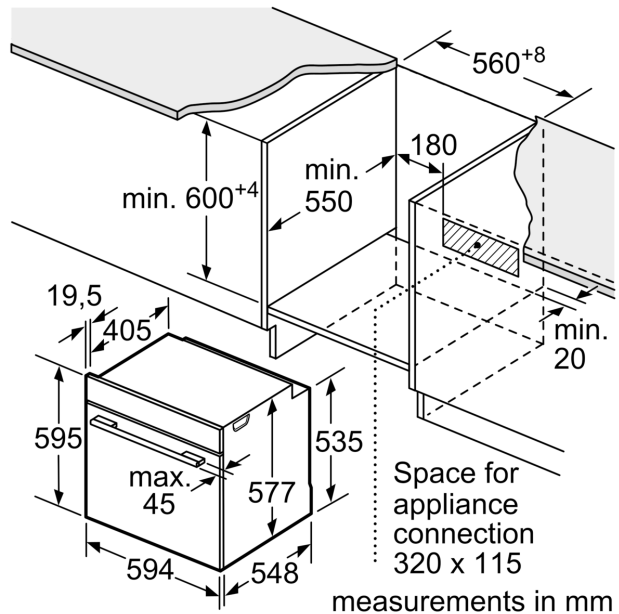


Space for appliance connection 320 x 115

measurements in mm

If the appliance will be installed underneath a hob, the following worktop thicknesses (including substructure if necessary) must be taken into account.

Hob type	min. worktop thickness	
	fitted	flush
Induction hob	37 mm	38 mm
Full surface Induction hob	47 mm	48 mm
Gas hob	30 mm	38 mm
Electric hob	27 mm	30 mm



Space for appliance connection 320 x 115

measurements in mm