

**iQ500, Built-in Oven, 60 x 60 cm,  
Black  
HB557JYB6Z**



Shorten your cooking time thanks to fast preheat and coolStart. And remote your oven from anywhere with Home Connect.

- ✓ 3D hotAir plus: perfect baking results on up to 3 shelves thanks to innovative heat distribution.
- ✓ cookControl30: automatic programs ensure best results.
- ✓ fastPreheat: reach the required baking temperature sooner;
- coolStart: no need to preheat the oven for deep frozen food.
- ✓ Far less oven cleaning – ecoClean Plus.
- ✓ Home Connect: access to your oven via smartphone or tablet.

Design: ..... Built-in  
 Integrated Cleaning system: ..... ecoClean Plus program  
 Min. required niche size for installation (HxWxD): ..... 575-597 x 560-568 x 550 mm  
 Dimensions: ..... 595 x 594 x 548 mm  
 Dimensions of the packed product (HxWxD): ... 660 x 640 x 685 mm  
 Control Panel Material: ..... stainless steel + glass insert  
 Door Material: ..... Glass  
 Net weight: ..... 36.2 kg  
 Usable volume of cavity: ..... 66 l  
 Heating modes:: ..... Hotair gentle, Hot Air, Conventional heat, Pizza setting, low temperature cooking, Deep-frozen food special, Hot air grilling, Full width variable grill  
 Oven control: ..... electronic  
 Number of interior lights: ..... 1  
 Length electrical supply cord: ..... 100.0 cm  
 EAN code: ..... 424200393329  
 Number of cavities (2010/30/EC): ..... 1  
 Energy efficiency: ..... A  
 Energy consumption per cycle conventional (2010/30/EC): ..... 0.98 kWh/cycle  
 Energy consumption per cycle forced air convection (2010/30/EC): 0.79 kWh/cycle  
 Energy efficiency index (2010/30/EC): ..... 95.2 %  
 Connection rating: ..... 3100 W  
 Fuse protection: ..... 16 A  
 Voltage: ..... 220-240 V  
 Frequency: ..... 50; 60 Hz  
 Plug type: ..... South Africa plug  
 Included accessories: .... 1 x combination grid, 1 x universal pan, 2 x Universal pan, slim size, 1 x Air Fry & Grill tray

1 x combination grid, 1 x universal pan, 2 x Universal pan, slim size, 1 x Air Fry & Grill tray

- |           |                                  |
|-----------|----------------------------------|
| HZ317000  | Pizza pan, enamelled             |
| HZ327000  | Baking stone                     |
| HZ333001  | Lid for professional pan         |
| HZ425000  | Grill tray                       |
| HZ431002  | Baking tray, enamelled           |
| HZ438301  | 3 level telescopic shelf rails   |
| HZ625071  | Grill tray, enamelled            |
| HZ6290702 | Air Fry & Grill tray, anthracite |
| HZ915003  | Glass roasting dish, 5,4 L       |



**iQ500, Built-in Oven, 60 x 60 cm,  
Black  
HB557JYB6Z**

**Type of oven / heating system:**

- Oven with 8 heating methods:
- Hot air, Conventional cooking, hot air grilling, Intensive hot air, Deep-frozen food special, low temperature cooking
- Temperature range 30 °C - 275 °C
- Cavity volume: 66 l

**Hook-in racks / rails**

- Number of shelf levels: 5 PC
- 2 level telescopic shelf rails

**Design:**

- Rotary Control, illuminated
- Cavity inner surface: enamel anthracite

**Cleaning:**

- side: coating of ceiling, back panel, side liners
- ecoLyse program
- Full glass inner door

**Comfort:**

- LED clock and automatic programmer
- Temperature proposal
- Heating-up control Sabbath setting
- automatic programmes, 30
- Bar handle
- Supporting systems: Programs
- Rapid heating-up
- coolStart
- Halogen interior lighting
- Integral cooling fan
- WLAN

**Accessory:**

- 1 x Air Fry & Grill tray, 2 x Universal pan, slim size, 1 x combination grid, 1 x universal pan

**Comfort and Safety:**

- Triple glazed door with heat reflective glass CoolTouch door
- Child safety button
- door contact switch

**Technical Info:**

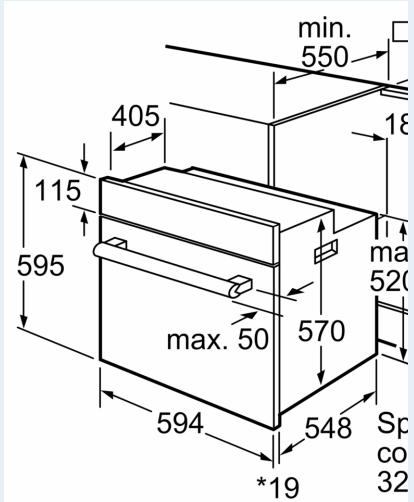
- Length of mains cable: 100 cm
- Nominal voltage: 220 - 240 V
- Total connected load electric: 3.1 KW
- Energy efficiency rating (acc. EU Nr. 65/2014): A
- Energy consumption per cycle in conventional mode: 0.98 kWh
- Energy consumption per cycle in fan-forced convection mode: 0.79 kWh
- Number of cavities: 1 Heat source: electrical Cavity volume: 66 l

**Dimensions:**

- Appliance dimension (hxwx): 595 mm x 594 mm x 548 mm
- Niche dimension (hxwx): 560 mm - 568 mm x 575 mm - 597 mm x 550 mm
- "Please reference the built-in dimensions provided in the installation drawing"
- We recommend you to choose complementary products within

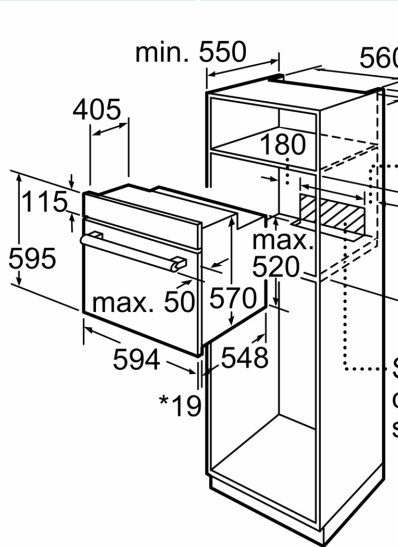
iQ500, in order to assure an optimal design combination of your Built-In appliances.

iQ500, Built-in Oven, 60 x 60 cm,  
 Black  
 HB557JYB6Z



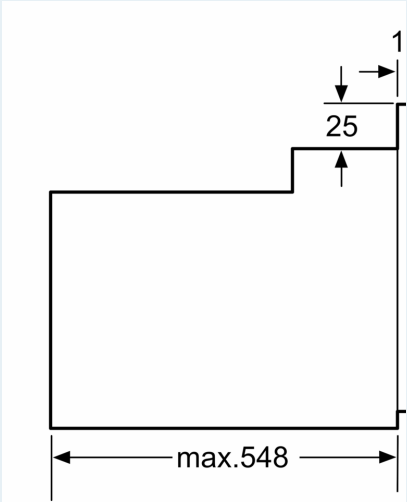
\* 20 mm for metal fascias

meas



\* 20 mm for metal fascias

meas



\* 20 mm for metal fascias

Di