

## iQ300, Built-in Oven, 60 x 60 cm, Stainless steel HB557JES0Z



A



Shorten your cooking time thanks to fast preheat.

- ✓ Fast preheat: reach the required baking temperature sooner.
- ✓ Far less oven cleaning – ecoClean Plus.
- ✓ 3D hotAir plus: perfect baking results on up to 3 shelves thanks to innovative heat distribution.

Design: ..... Built-in  
 Integrated Cleaning system: ..... Ecolyse coating all sides, Ecolyse coating all sides  
 Min. required niche size for installation (HxWxD): ..... 575-597 x 560-568 x 550 mm  
 Dimensions: ..... 595 x 594 x 548 mm  
 Dimensions of the packed product (HxWxD): ... 665 x 645 x 680 mm  
 Control Panel Material: ..... stainless steel + glass insert  
 Door Material: ..... Glass  
 Net weight: ..... 32.8 kg  
 Usable volume of cavity: ..... 66 l  
 Heating modes:: ..... Defrost, Hotair gentle, Hot Air, Conventional heat, Pizza setting, Bottom heat, Hot air grilling, Full width variable grill  
 Oven control: ..... mechanical  
 Number of interior lights: ..... 1  
 Length electrical supply cord: ..... 100.0 cm  
 EAN code: ..... 4242003809211  
 Number of cavities (2010/30/EC): ..... 1  
 Energy efficiency: ..... A  
 Energy consumption per cycle conventional (2010/30/EC): ..... 0.98 kWh/cycle  
 Energy consumption per cycle forced air convection (2010/30/EC): 0.79 kWh/cycle  
 Energy efficiency index (2010/30/EC): ..... 95.2 %  
 Connection rating: ..... 3300 W  
 Fuse protection: ..... 16 A  
 Voltage: ..... 220-240 V  
 Frequency: ..... 50; 60 Hz  
 Plug type: ..... South Africa plug  
 Included accessories: ..... 1 x enamel baking tray, 1 x combination grid, 1 x universal pan

1 x enamel baking tray, 1 x combination grid, 1 x universal pan

HZ317000	Pizza pan, enamelled
HZ327000	Baking stone
HZ425000	Grill tray
HZ431002	Baking tray, enamelled
HZ438201	2 level telescopic shelf rails
HZ438301	3 level telescopic shelf rails
HZ625071	Grill tray, enamelled
HZ6290702	Air Fry & Grill tray, anthracite
HZ915003	Glass roasting dish, 5,4 L



## iQ300, Built-in Oven, 60 x 60 cm, Stainless steel HB557JES0Z

### Type of oven / heating system:

- Oven with 8 heating methods: Hot air, Conventional cooking, hot air grilling, Intensive hot air, Bottom heat, defrost, Hotair gentle, full width grill
- Temperature range 50 °C - 275 °C
- Cavity volume: 66 l

### Hook-in racks / rails

- 1 level telescopic shelf

### Design:

- Rotary Control
- Cavity inner surface: enamel anthracite

### Cleaning:

- Ecolyse features: ceiling, back panel, side liners
- ecolyse program
- Full glass inner door

### Comfort:

- LED clock and automatic programmer
- Drop down door, soft closing
- Rapid heating-up
- Halogen interior lighting
- Integral cooling fan
- Bar handle

### Accessory:

- 1 x universal pan, 1 x combination grid, 1 x enamel baking tray

### Comfort and Safety:

- Maximum window temperature 50° C
- Child safety button

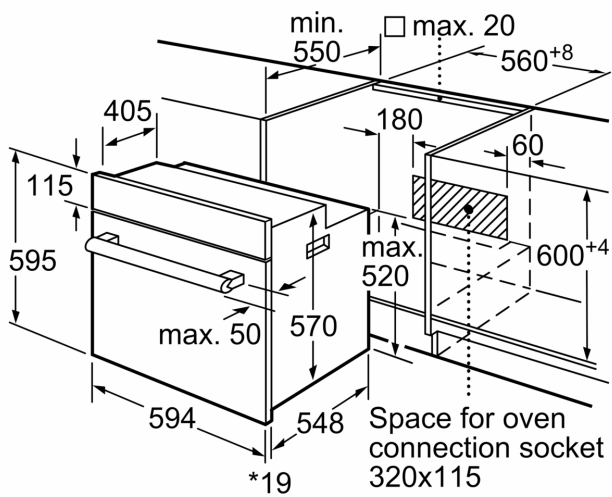
### Technical Info:

- Length of mains cable: 100 cm
- Nominal voltage: 220 - 240 V
- Total connected load electric: 3.3 KW
- Energy efficiency rating (acc. EU Nr. 65/2014): A
- Energy consumption per cycle in conventional mode:0.98 kWh
- Energy consumption per cycle in fan-forced convection mode:0.79 kWh
- Number of cavities: 1 Heat source: electrical Cavity volume:66 l

### Dimensions:

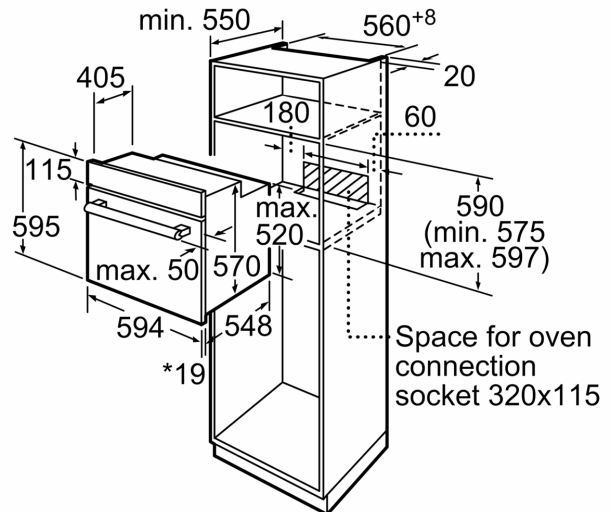
- Appliance dimension (hxwxh): 595 mm x 594 mm x 548 mm
- Niche dimension (hxwxh): 560 mm - 568 mm x 575 mm - 597 mm x 550 mm
- "Please reference the built-in dimensions provided in the installation drawing"

**iQ300, Built-in Oven, 60 x 60 cm,  
Stainless steel  
HB557JES0Z**



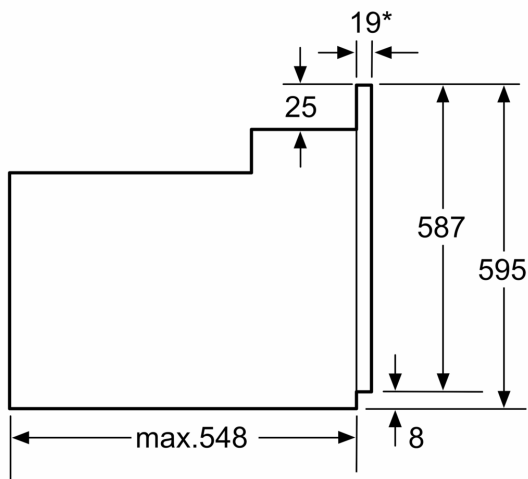
\* 20 mm for metal fascias

measurements in mm



\* 20 mm for metal fascias

measurements in mm



\* 20 mm for metal fascias

Dimensions in mm