

Serie | 4
**GSN36VW30
Tall freezer**

A++
The NoFrost freezer with A++ rating and VarioZone: cools very efficiently and provides more flexibility inside the appliance.

- **Energy efficiency class A++:** cools especially efficiently.
- **Electronic temperature control:** set the target temperature clearly and easily.
- **VarioZone:** more flexibility due to variable-use glass shelves and drawers in the freezer compartment.
- **BigBox frozen food drawer:** for stacking storage containers or for large frozen food items.
- **NoFrost:** never defrost
- **NoFrost:** never defrost
- again, thanks to perfect protection from ice formation - that saves time and effort.
- Cooling appliances with 90° door opening angle can be placed flush against any wall or in any niche.


Included accessories

2 x cold accumulator
1 x ice cube tray

Technical data

Product category :	Upright freezer
Built-in / Free-standing :	Free-standing
Color / Material body :	White
Frost free system :	Fridge and freezer
Climate class :	SN-T
Door panel options :	Not possible
Width of the product (mm) :	600
Depth of the product :	650
Dimensions of the packed product (HxWxD) (mm) :	1930 x 770 x 660
Warning signal / malfunction :	visual and audible
Number of drawers/baskets (Stck) :	5
Number of freezing flaps (Stck) :	2
Lockable door :	No
Thermometer freeze section :	Digital
Light :	No
Length electrical supply cord (cm) :	230
Door hinge :	Right reversible
Net weight (kg) :	76.801
Gross weight (kg) :	84.0
Multi-Flow Air Tower :	Yes
Number of compressors :	1
Number of independent cooling systems :	1
Economy setting :	No
Fast freezing switch :	Yes
Number of Door Bins - Freezer :	0
Number of shelves - Freezer :	0
Shelf Material - Freezer :	Safety glass
Reversible Door Hinge :	Yes
Connection Rating (W) :	90
Current (A) :	10
Frequency (Hz) :	50
Approval certificates :	CE, Morocco, Ukraine, VDE
Main colour of product :	White
Door panel options :	Not possible
Installation typology :	N/A
Noise level (dB(A) re 1 pW) :	42
Energy Star Qualified :	No
Approval certificates :	CE, Morocco, Ukraine, VDE
Plug type :	Gardy plug w/ earthing
Required cutout/niche size for installation (in) :	x x
Dimensions of the packed product (in) :	75.98 x 25.98 x 30.31
Net weight (lbs) :	169
Gross weight (lbs) :	185



Serie | 4 Freezers

GSN36VW30

Tall freezer

The NoFrost freezer with A++ rating and VarioZone: cools very efficiently and provides more flexibility inside the appliance.

General Information

- Frost free - never again defrosting
- Energy efficiency class: A++
- Total net capacity: 237 litres

Comfort and Safety

- Multi Airflow-System
- Super freezing with automatic switch off
- LED electronic control
- Safety glass
- Optical and Acoustic Malfunction Warning
- Storage time in power failure: 19 Hours

Freezer Section

- Net freezer capacity 237 litres
- 2 compartments with glass shelves and transparent hinge
- 5 transparent freezer drawers, whereof 2 extra large Big Box drawer

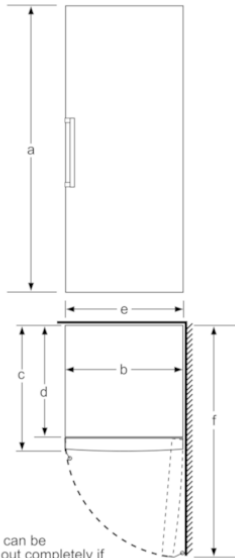
Design

- White
- Door right hinged, reversible
- vertical bar handle

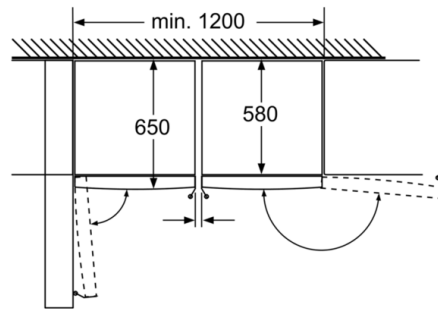
Serie | 4 Freezers

GSN36VW30

Tall freezer



Draws can be pulled out completely if the appliance is placed directly on a wall.



Drawers can be pulled out completely if the appliance is placed directly on a wall.

measurements in mm