

Serie | 4
GSN36VL30Z
Stainless steel look doors

A++
The NoFrost freezer with electronic temperature control: set the target temperature precisely and easily.

- **Energy efficiency class A++:** cools especially efficiently.
- **Electronic temperature control:** set the target temperature clearly and easily.
- **VarioZone:** more flexibility due to variable-use glass shelves and drawers in the freezer compartment.
- **BigBox frozen food drawer:** for stacking storage containers or for large frozen food items.
- **NoFrost:** never defrost
- **NoFrost:** never defrost
- again, thanks to perfect protection from ice formation - that saves time and effort.
- Cooling appliances with 90° door opening angle can be placed flush against any wall or in any niche.

Technical data

| | |
|--|-----------------------|
| Product category : | Upright freezer |
| Built-in / Free-standing : | Free-standing |
| Color / Material body : | Chrome Inox-metallic |
| Frost free system : | Fridge and freezer |
| Climate class : | SN-T |
| Door panel options : | Not possible |
| Width of the product (mm) : | 600 |
| Depth of the product : | 650 |
| Dimensions of the packed product (HxWxD) (mm) : | 1930 x 770 x 660 |
| Warning signal / malfunction : | visual and audible |
| Number of drawers/baskets (Stck) : | 5 |
| Number of freezing flaps (Stck) : | 2 |
| Lockable door : | No |
| Thermometer freeze section : | Digital |
| Light : | No |
| Length electrical supply cord (cm) : | 230 |
| Door hinge : | Right reversible |
| Net weight (kg) : | 73.551 |
| Gross weight (kg) : | 81.0 |
| Multi-Flow Air Tower : | Yes |
| Number of compressors : | 1 |
| Number of independent cooling systems : | 1 |
| Economy setting : | No |
| Fast freezing switch : | Yes |
| Number of Door Bins - Freezer : | 0 |
| Number of shelves - Freezer : | 0 |
| Shelf Material - Freezer : | Safety glass |
| Reversible Door Hinge : | Yes |
| Connection Rating (W) : | 90 |
| Current (A) : | 10 |
| Frequency (Hz) : | 50 |
| Approval certificates : | CE, VDE |
| Main colour of product : | Inox-look |
| Door panel options : | Not possible |
| Installation typology : | N/A |
| Noise level (dB(A) re 1 pW) : | 42 |
| Energy Star Qualified : | No |
| Approval certificates : | CE, VDE |
| Plug type : | South Africa plug |
| Required cutout/niche size for installation (in) : | x x |
| Dimensions of the packed product (in) : | 75.98 x 25.98 x 30.31 |
| Net weight (lbs) : | 162 |
| Gross weight (lbs) : | 178 |

Included accessories

- 2 x cold accumulator
- 1 x ice cube tray



Serie | 4 Freezers

GSN36VL30Z

Stainless steel look doors

The NoFrost freezer with electronic temperature control: set the target temperature precisely and easily.

Consumption

- Energy efficiency class: A++
- Energy efficiency class: A++ (234 kWh per year). Actual energy consumption will depend on how the appliance is used and where it is located.
- Total net capacity: 237 litres
- Noise level dB(A) re 1 pW: 42

Design

- Door Inox Easy Clean, side panels Metallic chrome
- Interior with metal applications

Comfort and Safety

- Frost free - never again defrosting
- LED electronic control
- Automatic defrost
- Super freezing with automatic switch off
- Automatic freezing of fresh items
- Acoustic warning system, optical
- Multi Airflow-System
- Optical and Acoustic Malfunction Warning
- 4-fold Security System

Freezer Section

- Net freezer capacity 237 litres
- Freezing capacity: 20 kg in 24 hours
- Storage time in power failure: 19 Hours
- Safety glass
- 2 compartments with glass shelf and transparent hinge
- 5 transparent freezer drawers, whereof 2 extra large Big Box drawer
- Calendar frozen food
- Ice cube tray

TECHNICAL INFORMATION

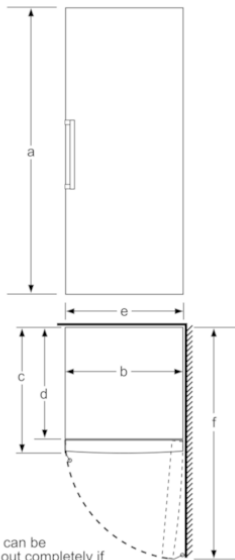
- Door right hinged, reversible
- Connected load 90 W
- Rated Voltage 220 - 240 V

APPLIANCE DIMENSION

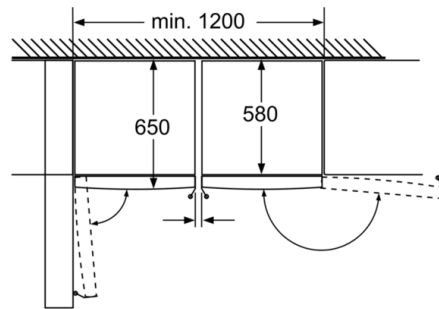
- Dimensions: H 186 cm x L 60 cm x D 65 cm

Serie | 4 Freezers

GSN36VL30Z
Stainless steel look doors



Draws can be pulled out completely if the appliance is placed directly on a wall.



Drawers can be pulled out completely if the appliance is placed directly on a wall.

measurements in mm