

**iQ300, Freestanding Freezer, 186 x 60 cm, Inox-easyclean GS36NVIFV**



A++



Freezer with innovative noFrost technology for no more defrosting.

- ✓ noFrost – Never defrost your freezer again.
- ✓ Drawers and glass shelves easily rearranged to organize your freezer space flexibly - varioZone.
- ✓ multiAirflow: Consistent cooling for longer freshness.

Energy Efficiency Class (Regulation (EU) 2017/1369): ..... F  
 Average annual energy consumption in kilowatt hour per year (kWh/a) (EU) 2017/1369: ..... 294 kWh/annum  
 Sum of volume of frozen compartments (EU 2017/1369): ..... 242 l  
 Airborne acoustical noise emissions : ..... 39 dB(A) re 1 pW  
 Airborne acoustical noise emission class (EU 2017/1369): ..... C  
 Lockable door: ..... No  
 Door panel options: ..... Not possible  
 Thermometer freeze section: ..... Digital  
 Type: ..... Upright freezer  
 Width of the appliance: ..... 600 mm  
 Light: ..... No  
 Design: ..... Free-standing  
 Depth: ..... 650 mm  
 Length electrical supply cord: ..... 230.0 cm  
 Dimensions of the packed product (HxWxD): . 1930 x 660 x 770 mm  
 Door opening: ..... Right reversible  
 Frost free system: ..... Fridge and freezer  
 Net weight: ..... 70.9 kg  
 Warning signal / malfunction: ..... Both visual and audible  
 Gross weight: ..... 76.6 kg  
 Number of drawers/baskets (Stck): ..... 5  
 Number of freezing flaps (Stck): ..... 2  
 Fuse protection: ..... 10 A  
 Frequency: ..... 50 Hz  
 Included accessories: ..... 2 x cold accumulator, 1 x ice cube tray



2 x cold accumulator, 1 x ice cube tray

KS36ZAL00 Connection set inox  
 KS39ZAL00 Connection set inox

## iQ300, Freestanding Freezer, 186 x 60 cm, Inox-easyclean GS36NVIFV

### Consumption

#### Design

- Doors Stainless Steel, side panels Pearl grey (VZF 07127)
- vertical door handle

#### Comfort and Safety

- Frost Free - never again defrosting
- LED electronic control
- Optic and acoustic Warning System
- freshSense - constant temperature by intelligent sensor technology
- Manual/automatic activation

#### Freezer Section

- Multi Airflow-System
- Safety glass
- 5 transparent freezer drawers, whereof 2 extra large Big Box drawer
- Ice cube tray

#### APPLIANCE DIMENSION

- Dimensions: H 186 cm x L 60 cm x D 65 cm

#### TECHNICAL INFORMATION

- Right-mounted, Reversible
- Height adjustable front feet, roles in the back
- door opening angle 90°
- Rated Voltage 220 - 240 V

#### Standard Accessories

- 1 x ice cube tray, 2 x cold accumulator

#### Country Specific Options

- Based on the results of the standard 25-hour test. Actual consumption depends on usage/position of the appliance.
- To achieve the declared energy consumption, the attached distanceholders have to be used. As a result, the appliance depth increases by about 3.5 cm. The appliance used without the distance holder is fully functional, but has a slightly higher energy consumption.

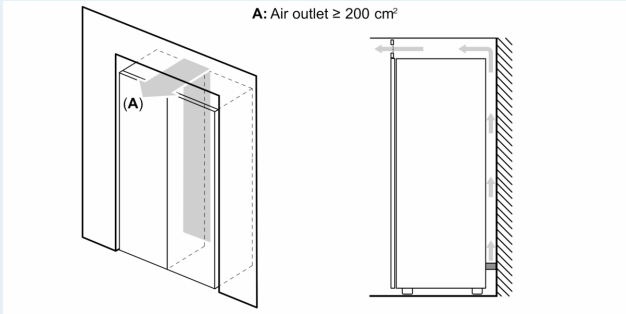
#### SPECIAL ACCESORIES

#### ENVIREMENT AND SAFETY

#### INSTALLATION

#### General Information

iQ300, Freestanding Freezer, 186 x 60 cm, Inox-easyclean GS36NVIFV



	a	b	c	d	e	f
KSW36, GSD36	187					
KSV36, KSF36, GSN36, GSV36	186					
KSV33, GSN33, GSV33	176	60	65	58	60	119.5
KSV29, GSN29, GSV29	161					
GSV24	146					
GSN51	161					
GSN54	176	70	78	70	70	142
GSN58	191					

a Height  
 b Width  
 c Depth with closed door w/o handle and w/o distance part  
 d Depth of cabinet w/o distance part  
 e Width with open door w/o handle  
 f Depth with open door w/o handle w/o distance part  
 measurements in cm

