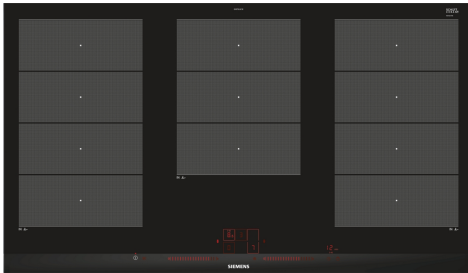


**iQ700, Induction Hob, 90 cm,  
surface mount with frame  
EX975LXC1E**



HZ32WA00	wireless roastingSensor
HZ390522	Griddle Plate
HZ394301	Connecting strip
HZ9TY010	Teppan Yaki

The modern flexInduction cooktop - for greater flexibility when cooking.

- ✓ flexInduction – Smart cooking zone that adapts to your cookware.
- ✓ dual lightSlider – Just touch and slide to control your hob.
- ✓ fryingSensor Plus – No more burning or scorching your meals.
- ✓ powerMove Plus enables intuitive control thanks to three heating zones with different temperatures – activated by touch.
- ✓ intelligent flexZones: Automatic cooking zone transfer for maximum flexibility.

Product name/family: ..... Cooking zone ceramic  
 Design: ..... Built-in  
 Type of heating: ..... Electric hob  
 Total number of positions that can be used at the same time: 5  
 Required niche size for installation (HxWxD): .....51 x 880-880 x 490-500 mm  
 Width of the appliance: ..... 912 mm  
 Dimensions: ..... 51x912x520 mm  
 Dimensions of the packed product (HxWxD): .....126x1073x603 mm  
 Net weight: ..... 22.2 kg  
 Gross weight: ..... 24.0 kg  
 Residual heat indicator: .....yes  
 Location of control panel: ..... Front  
 Basic surface material: ..... Ceramic  
 Color of surface: ..... Black, Alu, brushed  
 Length electrical supply cord: ..... 110 cm  
 EAN code: .....4242003692301  
 Voltage: .....220-240 V  
 Frequency: .....50; 60 Hz



## iQ700, Induction Hob, 90 cm, surface mount with frame EX975LXC1E

- 90 cm: space for 5 pots or pans.

### Flexibility of cooking zones

- 3 Flex zones: use cookware of any shape or size anywhere within the 40cm long zone.
- Cooking zone front left: 240 mm, 200 mm, 2.2 KW (max. power 3.7 KW)
- Cooking zone rear left: 200 mm, 240 mm, 2.2 KW (max. power 3.7 KW)
- Cooking zone middle: 300 mm, 240 mm, 2.6 KW (max. power 3.7 KW)
- Cooking zone rear right: 200 mm, 240 mm, 2.2 KW (max power 3.7 KW)
- Cooking zone front right: 200 mm, 240 mm, 2.2 KW (max. power 3.7 KW)

### Comfort & Convenience

- Dual LightSlider: directly control the power on the two illuminated touch bars (invisible when switched off).
- 17 power levels: precisely adapt the heat with 17 power levels (9 main levels and 8 intermediate levels).
- Keep warm function: keep dishes warm at preset low power level.
- Timer for all zones
- : switches off the cooking zone at the end of the time set (e.g. for boiled eggs).
- Buzzer
- : an alarm sounds at the end of the time set (e.g. for pasta).
- count-up timer, per cooktop
- : shows how much time has passed since starting the timer (e.g. for potatoes).

### Time saving & efficiency

- Power boost setting
- : boil water more quickly thanks to 50% more energy than at the highest standard level.
- All: heat up pans more quickly than at the highest standard level while protecting the pan coating.
- Cooking zones will be automatically joined or separated based on the shape and size of the cookware placed.
- 3-steps: increase or decrease the power level simply by moving the pot forwards or backwards.
- yes: when moving a pot to a different cooking zone, transfer all previous settings to the new zone at the touch of a button.
- yes: when switched on, the hob automatically selects the Flex cooking zone on which a new cookware is placed.
- When moving a pot on the Flex zone, the settings adjust instantly and the cooking zone adapts to the size of the cookware
- yes: when switching on, the hob automatically selects the cooking zone with cookware (placed in off-mode).
- yes: in case of unintentional switch-off, restore all previous settings by switching on the hob again within 4 seconds.

### Cooking assistance

- 5 frying levels: prevents scorching with the automatic temperature

regulation of the integrated sensor.

### Design

- Design trim (front facette with side trim)

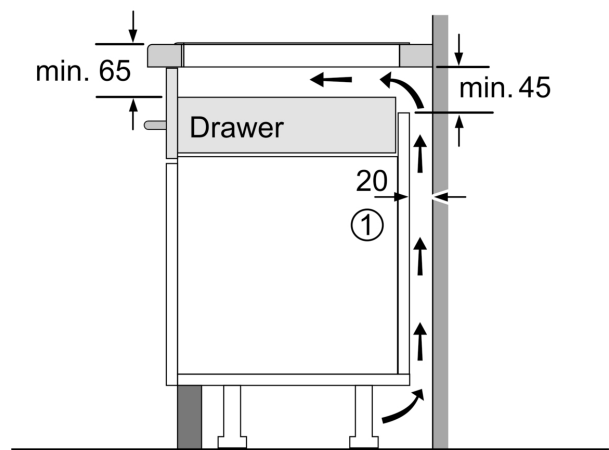
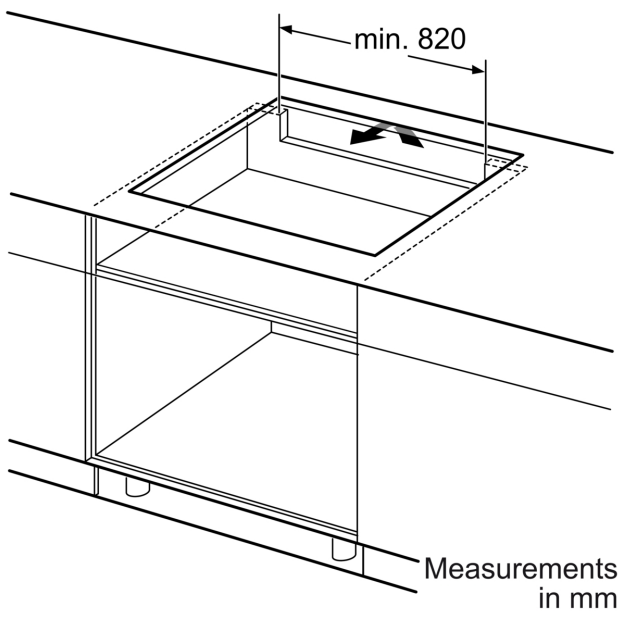
### Safety

- Two stage residual heat indicators: indicates which cooking zones are still hot or warm.
- Safety lock: prevent unintended activation of the hob.
- Freeze function: wipe overboiled liquids without unintentionally changing settings (blocking all touch buttons for 30 seconds).
- Main on/off switch: switch off all cooking zones at the touch of a button.
- Automatic safety switch off: for safety reasons, heating stops after a preset time without interaction (customizable).
- yes: shows the electricity consumption of the last cooking process.

### Installation

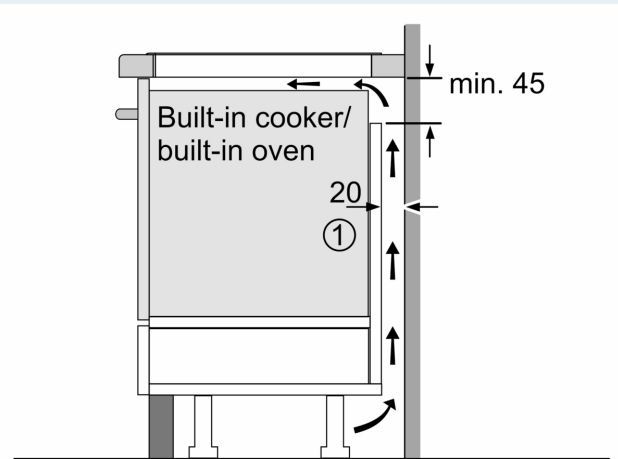
- Dimensions of the product (HxWxD mm): 51 x 912 x 520
- Required niche size for installation (HxWxD mm) : 51 x 880 x (490 - 500)
- Min. worktop thickness: 16 mm
- Connected load: 11100 W
- power management function: limit the maximum power if needed (depends on fuse protection of electric installation).
- Power cord: 110 cm, loose insert in packaging

**iQ700, Induction Hob, 90 cm,  
surface mount with frame  
EX975LXC1E**



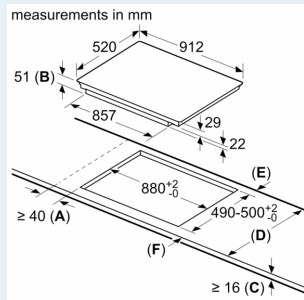
① Ventilation gap must be present.

Measurements in mm



① Ventilation gap must be present

All measurements in mm



- A: Minimum distance from the hob cut-out to the wall.
- B: Recessed depth
- C: The clearance between the surface of the worktop and the top of the front of the oven must be 30 mm. See space requirements for the oven.

The worktop into which the hob is installed must withstand loads of approx. 60 kg; suitable substructures must be used if required.

D	E	F
585-600	50	≥ 35
> 600	≥ 50	≥ 50