

**iQ700, Induction Hob, 90 cm,  
Black,  
EX975LVC1E**



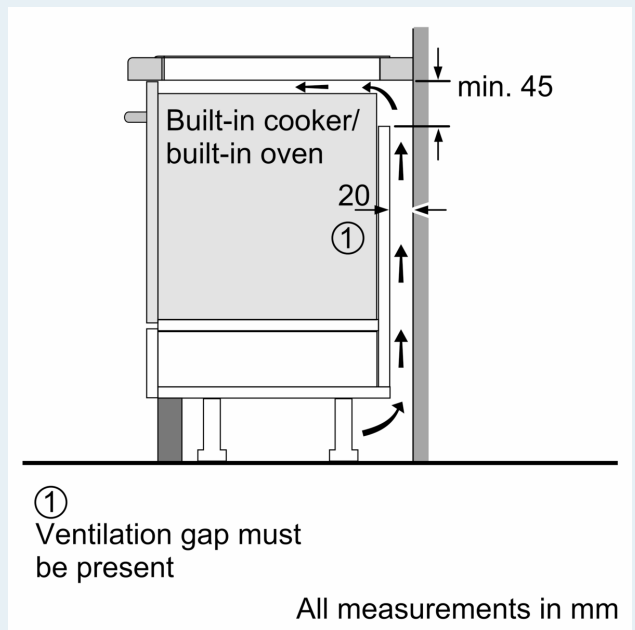
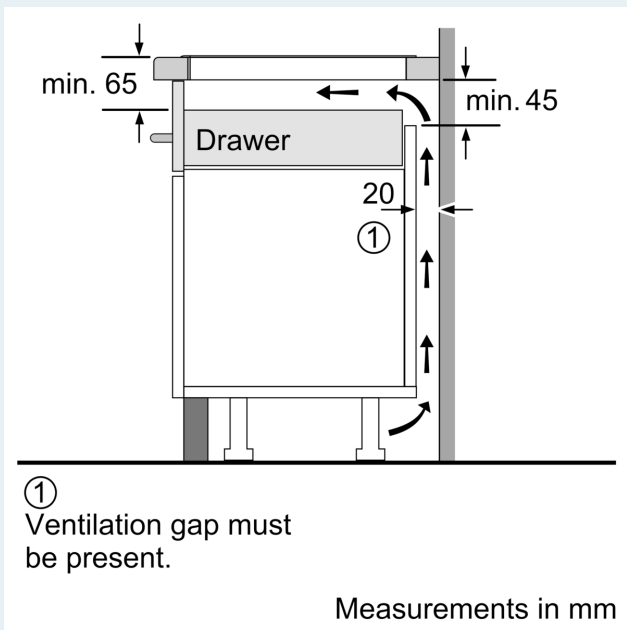
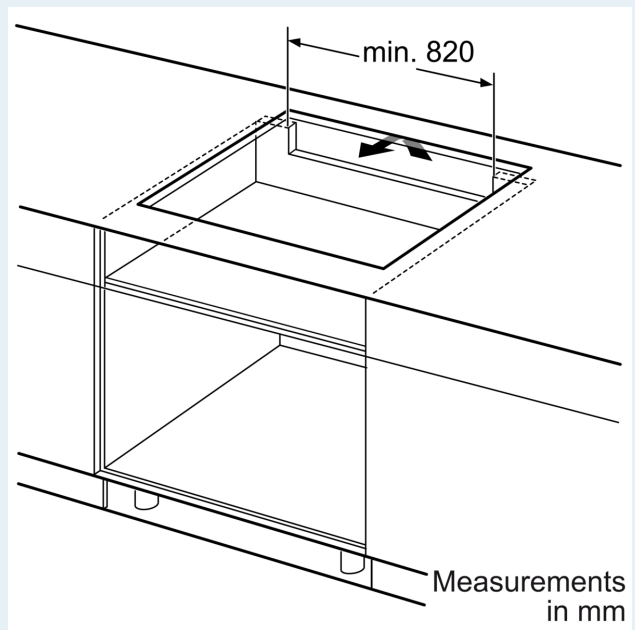
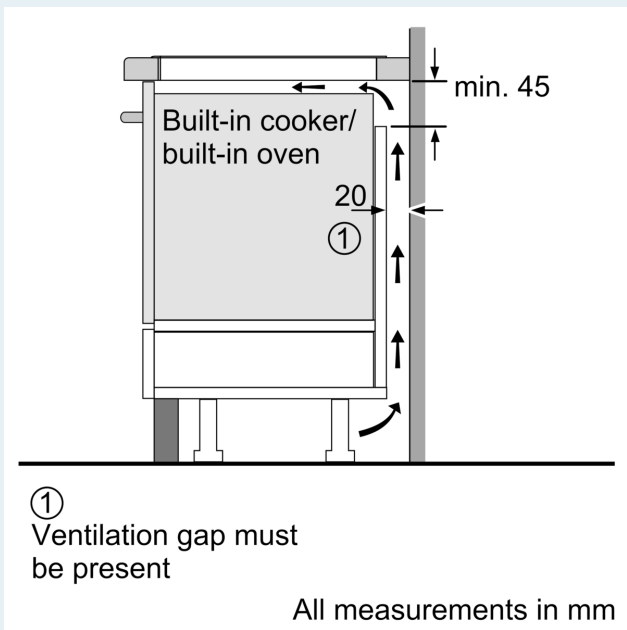
- ✓ flexInduction – Smart cooking zones that adapt to your cookware.
- ✓ Dual lightSlider lets you easily and intuitively operate the cooktop.
- ✓ The fryingSensor plus controls the temperature in the pan so there is no more burning or scorching your meals.
- ✓ powerMove Plus enables intuitive control thanks to three heating zones with different temperatures – activated by touch.
- ✓ Shorter heating times with up to 50% more power thanks to the powerBoost-function.

HZ32WA00 Wireless food thermometer, HZ390011 Stainless Steel roaster with glas lid, HZ390012 Steaming Rack for Stainless Steel roaste, HZ390210 System pan diameter 15 cm, HZ390220 System pan diameter 19 cm, HZ390230 System pan diameter 21cm, HZ390240 Paella pan Ø 31 cm, HZ390250 System pan diameter 28 cm, HZ390512 Teppan Yaki (large), HZ390522 Griddle Plate, HZ394301 Connecting strip, HZ9ES100 Espresso maker 4 cups, HZ9FE280 Iron pan Ø 18 / 28 cm, HZ9FF010 Flex Pan, large, HZ9FF030 Flex Pan set, 3 pcs., HZ9FF040 Flex Pan set, 4 pcs., HZ9SE030 Set of 2 pots and 1 pan, HZ9SE040 4 pieces Set, HZ9SE060 6 pieces Set, HZ9TY010 Teppan Yaki

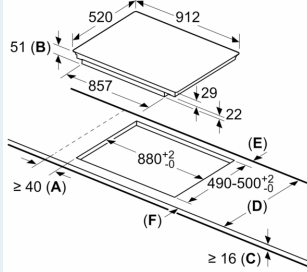
Product name/family: ..... Cooking zone ceramic  
 Design: ..... Built-in  
 Type of heating: ..... Electric hob  
 Total number of positions that can be used at the same time: 5  
 Min. required niche size for installation (HxWxD): ....51 x 880-880 x 490-500 mm  
 Width of the appliance: ..... 912 mm  
 Dimensions: ..... 51 x 912 x 520 mm  
 Dimensions of the packed product (HxWxD): . 126 x 1073 x 603 mm  
 Net weight: ..... 19.2 kg  
 Gross weight: ..... 23.0 kg  
 Residual heat indicator: .....yes  
 Location of control panel: ..... Front  
 Basic surface material: ..... Ceramic  
 Color of surface: ..... Black, Alu, brushed  
 Length electrical supply cord: ..... 110.0 cm  
 EAN code: .....4242003705599  
 Voltage: .....220-240 V  
 Frequency: .....50; 60 Hz



**iQ700, Induction Hob, 90 cm,  
Black,  
EX975LVC1E**



measurements in mm



- A:** Minimum distance from the hob cut-out to the wall.
- B:** Recessed depth
- C:** The clearance between the surface of the worktop and the top of the front of the oven must be 30 mm. See space requirements for the oven.

The worktop into which the hob is installed must withstand loads of approx. 60 kg; suitable substructures must be used if required.

D	E	F
585-600	50	≥ 35
> 600	≥ 50	≥ 50