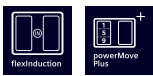
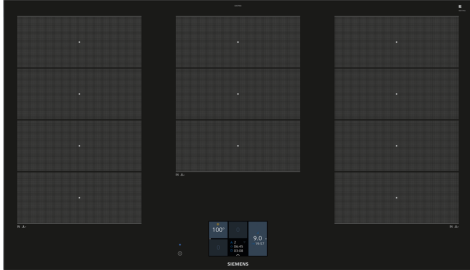


**iQ700, Induction Hob, 90 cm,
Black,
EX975KXW1E**



- ✓ flexInduction – Smart cooking zones that adapt to your cookware.
- ✓ For easy operation and good readability from any perspective - TFT Touchdisplay.
- ✓ Home Connect - Integrate your hob into the intelligent kitchen.
- ✓ cookingSensor Plus ready: The supplementary available sensor prevents overboiling thanks to precise temperature control.
- ✓ powerMove Plus enables intuitive control thanks to three heating zones with different temperatures – activated by touch.

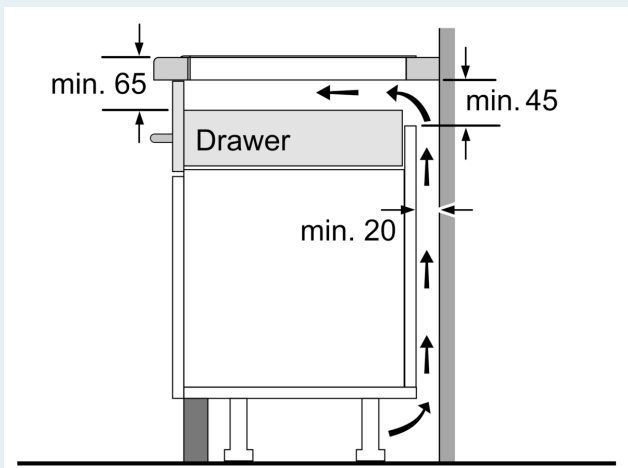
HZ32WA00 Wireless food thermometer, HZ390011 Stainless Steel roaster with glas lid, HZ390012 Steaming Rack for Stainless Steel roaste, HZ390090 Wok Set consisting of 3 Items, HZ390210 System pan diameter 15 cm, HZ390220 System pan diameter 19 cm, HZ390230 System pan diameter 21cm, HZ39050 Wireless temperature sensor for cooktop, HZ390512 Teppan Yaki (large), HZ390522 Griddle Plate, HZ394301 Connecting strip, HZ9ES100 Espresso maker 4 cups, HZ9FE280 Iron pan Ø 18 / 28 cm, HZ9FF010 Flex Pan, large, HZ9FF030 Flex Pan set, 3 pcs., HZ9FF040 Flex Pan set, 4 pcs., HZ9SE030 Set of 2 pots and 1 pan, HZ9SE040 4 pieces Set, HZ9SE060 6 pieces Set, HZ9TY010 Teppan Yaki



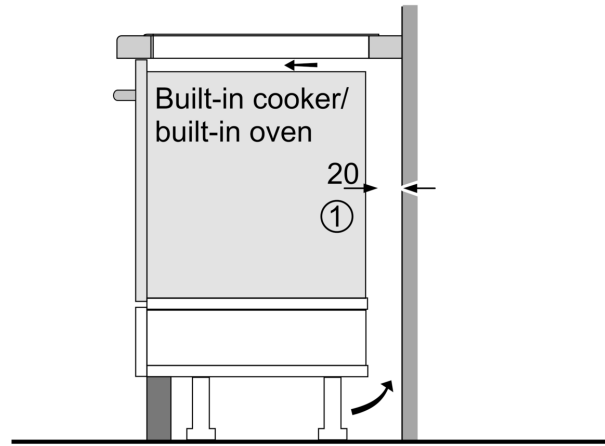
Product name/family: Cooking zone ceramic
 Design: Built-in
 Type of heating: Electric hob
 Total number of positions that can be used at the same time: 5
 Min. required niche size for installation (HxWxD):51 x 880-880 x 490-500 mm
 Width of the appliance: 912 mm
 Dimensions: 51 x 912 x 520 mm
 Dimensions of the packed product (HxWxD): . 126 x 1073 x 603 mm
 Net weight: 19.4 kg
 Gross weight: 23.2 kg
 Residual heat indicator:yes
 Location of control panel: Front
 Color of surface: Black, Alu, brushed
 Length electrical supply cord: 110.0 cm
 EAN code:4242003765685
 Voltage:220-240 V
 Frequency:50; 60 Hz



iQ700, Induction Hob, 90 cm,
Black,
EX975KXW1E

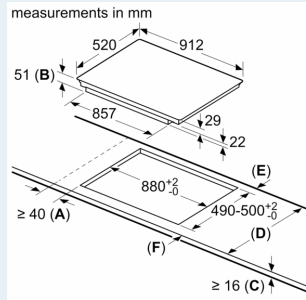
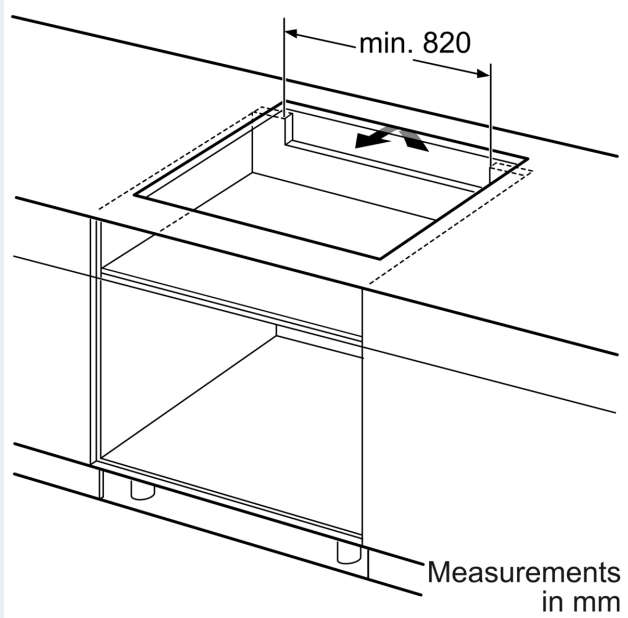


Measurements in mm



①
Ventilation gap must
be present.

Measurements in mm



- A: Minimum distance from the hob cut-out to the wall.
- B: Recessed depth
- C: The clearance between the surface of the worktop and the top of the front of the oven must be 30 mm. See space requirements for the oven.

The worktop into which the hob is installed must withstand loads of approx. 60 kg; suitable substructures must be used if required.

D	E	F
585-600	50	≥ 35
> 600	≥ 50	≥ 50