

**Serie | 4, Wall-mounted Extractor Hood, 90 cm, clear glass black printed DWK97HM60**



**Inclined hood: optimal for keeping an eye on your pots and pans. Inclined hood: optimal for keeping an eye on your pots and pans.**

- **Especially silent:** maximal extractor performance with minimal noise
- **Easy-to-clean interior:** hidden screws and cables along with rounded edges make cleaning easy.
- **TouchSelect control:** quick touch-control selection of desired settings and light. TouchSelect control: quick touch-control selection of desired settings and light.
- **Intensive speed setting:** removes strong kitchen odours especially quickly and effectively.
- **Extraction rate:** at MAX\_FOERDERLEISTUNG m3/h, it quickly ensures optimal kitchen air quality.

**Technical data**

Typology :	Chimney
Approval certificates :	CE, Eurasian, Morocco, Ukraine, VDE
Length electrical supply cord (cm) :	130
Height of product, without chimney (mm) :	323
Net weight (kg) :	22.254
Type of control :	Electronic
Maximum output air extraction (m3/h) :	416
Boost position output recirculating (m3/h) :	615.0
Maximum output recirculating air (m3/h) :	409
Boost position air extraction (m <sup>3</sup> /h) :	700
Number of lights :	2
Noise level (dB(A) re 1 pW) :	58
Diameter of air outlet (mm) :	120 / 150
Grease filter material :	Washable aluminium
Odour filter :	No
Operating Mode :	Convertible
Optional accessories :	DWZ0AK0A0, DWZ0AK0R0, DWZ0AK0S0, DWZ0AK0T0, DWZ0AK0U0, DWZ1AX5C6, DWZ0AX5K0, DWZ0AX5L0, DWZ1AK1B6, DWZ1AK1I6, DWZ1AK1V6, DWZ1AX6E1, DZZ0XX0P0, DZZ1XX1B6, HEZG9AS00S
Type of lamps used :	LED
Grease filter type :	Kassette
Connection Rating (W) :	263
Current (A) :	10
Voltage (V) :	220-240
Frequency (Hz) :	50; 60
Plug type :	Gardy plug w/ earthing
Installation typology :	Wall-mounted
Material body :	Glass, Lacquered
Approval certificates :	CE, Eurasian, Morocco, Ukraine, VDE
Plug type :	Gardy plug w/ earthing
Dimensions of the product, with chimney (if exists) (in) :	/ x x
Dimensions of the packed product (in) :	27.16 x 29.13 x 40.94
Net weight (lbs) :	49.000
Gross weight (lbs) :	67.000
Motor location :	Integrated motor in hood body
No-return airflow flap :	Yes
Length electrical supply cord (cm) :	130
Dimensions of the product, with chimney (if exists) (mm) :	453 x 890.0 x 499.0
Dimensions of the packed product (HxWxD) (mm) :	690 x 740 x 1040
Net weight (kg) :	22.254
Gross weight (kg) :	30.6



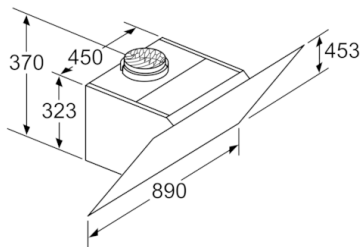
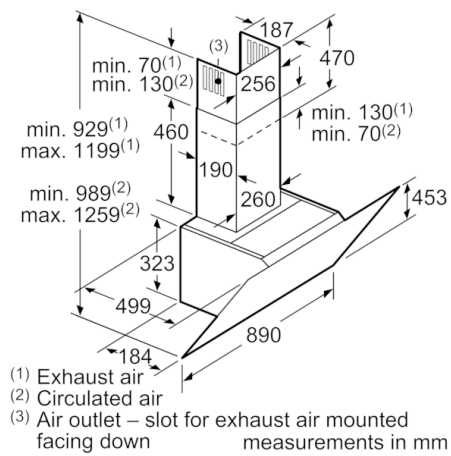
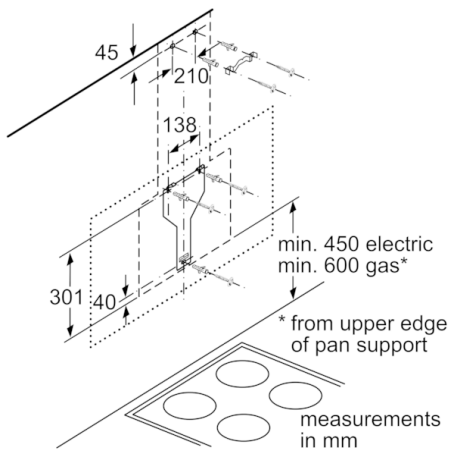
## **Serie | 4, Wall-mounted Extractor Hood, 90 cm, clear glass black printed DWK97HM60**

**Inclined hood: optimal for keeping an eye on your pots and pans. Inclined hood: optimal for keeping an eye on your pots and pans.**

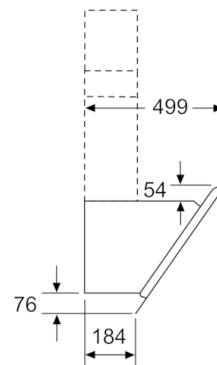
---

- Energy Efficiency Class: B\*
- Noise max. Normal Level: 58 dB\*
- Suitable for ducted or recirculating operation
- In recirculation operation chimless use possible
- For recirculated extraction a recirculating kit or a CleanAir recirculation kit (accessory) is needed
- Designed for wall mounted installation
- touch control (3 speed + intensive operation) with Electronic display
- Easy to clean
- Twin channel high performance fan motor
- 2 x 1,5W LED
- Removable metal grease filters, dishwasher safe
- Extraction rate according to DIN/EN 61591  $\varnothing$  15 cm: max. Normal 416 m<sup>3</sup>/h Intensive 700 m<sup>3</sup>/h
- Ducted extraction rate according to DIN/EN 61591 max. 416 m<sup>3</sup>/h
- Maximum extraction 416 m<sup>3</sup>/h
- Extraction rate exhaust air according to EN 61591: max. normal use 416 m<sup>3</sup>/h, intensive 700 m<sup>3</sup>/h
- Noise level according to EN 60704-3 and EN 60704-2-13 exhaust air:  
Max. normal use: 58 dB(A) re 1 pW (45 dB(A) re 20  $\mu$ Pa sound pressure)  
Intensive: 67 dB(A) re 1 pW (54 dB(A) re 20  $\mu$ Pa sound pressure)
- Diameter pipe  $\varnothing$  150 mm ( $\varnothing$  120 mm enclosed)
- Extraction rate in recirculation mode:  
Max. normal use: 409 m<sup>3</sup>/h  
Intensive: 615 m<sup>3</sup>/h
- Power rating: 263 W
- Dimensions exhaust air (HxWxD): 929-1199 x 890 x 499 mm
- Dimensions recirculating with CleanAir module (HxWxD):  
1119 x 890 x 499 mm - mounting with outer chimney  
1189-1459 x 890 x 499 mm - mounting with telescopic chimney
- Dimensions recirculating, chimney (HxWxD): 989-1259 x 890 x 499 mm
- Dimensions recirculating, chimless (HxWxD): 453 mm x 890 x 499 mm

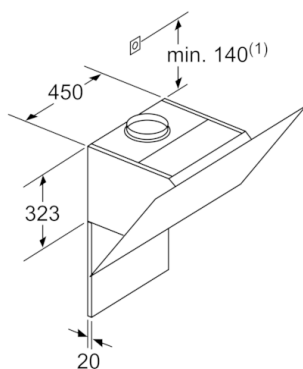
**Serie | 4, Wall-mounted Extractor Hood, 90 cm, clear glass black printed DWK97HM60**



Appliance in circulated air mode without duct  
Circulated air set required  
measurements in mm



measurements in mm



(1) Position of socket  
Note the maximum thickness of the back panel.  
measurements in mm

