

**Serie | 4, Wall-mounted Extractor Hood, 90 cm, clear glass white printed DWK97HM20**



**Inclined hood: optimal for keeping an eye on your pots and pans. Inclined hood: optimal for keeping an eye on your pots and pans.**

- **Especially silent:** maximal extractor performance with minimal noise
- **Easy-to-clean interior:** hidden screws and cables along with rounded edges make cleaning easy.
- **TouchSelect control:** quick touch-control selection of desired settings and light. TouchSelect control: quick touch-control selection of desired settings and light.
- **Intensive speed setting:** removes strong kitchen odours especially quickly and effectively.
- **Extraction rate:** at MAX\_FOERDERLEISTUNG m3/h, it quickly ensures optimal kitchen air quality.

**Technical data**

|  |   |
|--|---|
| Typology :   | Chimney   |
| Approval certificates :                                    | CE, Eurasian, Morocco, VDE  |
| Length electrical supply cord (cm) :                       | 130   |
| Height of product, without chimney (mm) :                  | 323   |
| Net weight (kg) :  | 24.254  |
| Type of control :  | Electronic  |
| Maximum output air extraction (m3/h) :                     | 416   |
| Boost position output recirculating (m3/h) :               | 615.0   |
| Maximum output recirculating air (m3/h) :                  | 409   |
| Boost position air extraction (m <sup>3</sup> /h) :        | 700   |
| Number of lights :   | 2   |
| Noise level (dB(A) re 1 pW) :                              | 58  |
| Diameter of air outlet (mm) :                              | 120 / 150   |
| Grease filter material :                                   | Washable aluminium  |
| Odour filter :   | No  |
| Operating Mode :   | Convertible   |
| Optional accessories :                                     | DWZ0AK0A0, DWZ0AK0R0, DWZ0AK0S0, DWZ0AK0T0, DWZ0AK0U0, DWZ0AX5K0, DWZ0AX5L0, DWZ1AK1B6, DWZ1AK1I6, DWZ1AK1V6, DWZ1AX5C6, DZZ0XX0P0, DZZ1XX1B6 |
| Type of lamps used :                                       | LED   |
| Grease filter type :                                       | Kassette  |
| Connection Rating (W) :                                    | 263   |
| Current (A) :  | 10  |
| Voltage (V) :  | 220-240   |
| Frequency (Hz) :   | 50; 60  |
| Plug type :  | Gardy plug w/ earthing  |
| Installation typology :                                    | Wall-mounted  |
| Material body :  | Glass, Lacquered  |
| Approval certificates :                                    | CE, Eurasian, Morocco, VDE  |
| Plug type :  | Gardy plug w/ earthing  |
| Dimensions of the product, with chimney (if exists) (in) : | / x x   |
| Dimensions of the packed product (in) :                    | 27.16 x 29.13 x 40.94   |
| Net weight (lbs) :   | 53.000  |
| Gross weight (lbs) :                                       | 72.000  |
| Motor location :   | Integrated motor in hood body   |
| No-return airflow flap :                                   | Yes   |
| Length electrical supply cord (cm) :                       | 130   |
| Dimensions of the product, with chimney (if exists) (mm) : | 453 x 890.0 x 499.0   |
| Dimensions of the packed product (HxWxD) (mm) :            | 690 x 740 x 1040  |
| Net weight (kg) :  | 24.254  |
| Gross weight (kg) :  | 32.6  |



## **Serie | 4, Wall-mounted Extractor Hood, 90 cm, clear glass white printed DWK97HM20**

**Inclined hood: optimal for keeping an eye on your pots and pans. Inclined hood: optimal for keeping an eye on your pots and pans.**

---

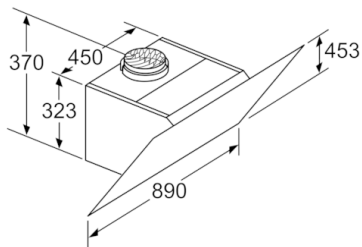
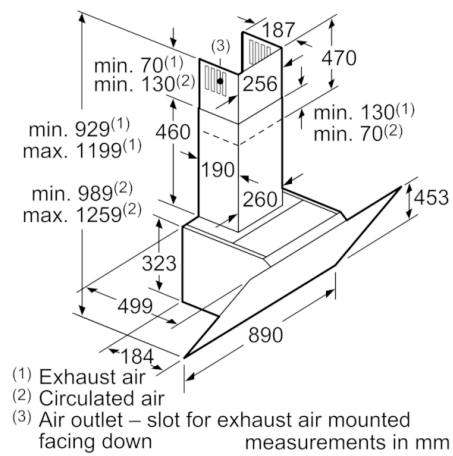
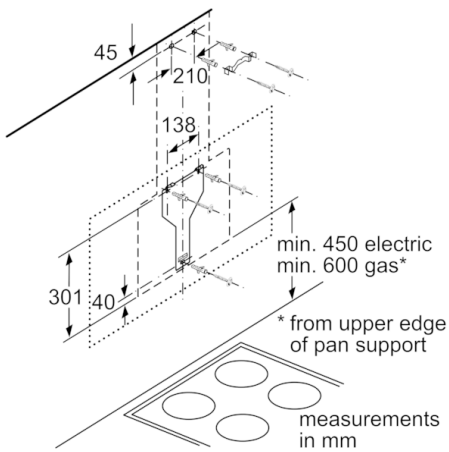
- Energy Efficiency Class: B\*
- Noise max. Normal Level: 58 dB\*

### **Design:**

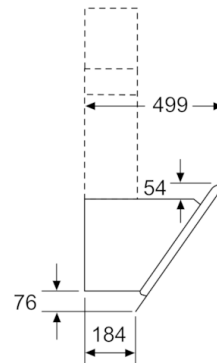
#### **Technical information:**

- Glas plate: clear glass white printed
- Suitable for ducted or recirculating operation
- In recirculation operation chimless use possible
- For recirculated extraction a recirculating kit or a CleanAir recirculation kit (accessory) is needed
- Designed for wall mounted installation
- touch control for extractor speeds and light
- Electronic controls via touch control with Electronic display
- 3 speed + intensive operation
- Easy to clean
- Twin channel high performance fan motor
- 2 x 1,5W LED
- Removable metal grease filters, dishwasher safe
- Extraction rate according to DIN/EN 61591  $\varnothing$  15 cm: max.  
Normal 416 m<sup>3</sup>/h Intensive 700 m<sup>3</sup>/h
- Maximum extraction 416 m<sup>3</sup>/h
- Extraction rate exhaust air according to EN 61591:  
max. normal use 416 m<sup>3</sup>/h, intensive 700 m<sup>3</sup>/h
- Noise level according to EN 60704-3 and EN 60704-2-13  
exhaust air:  
Max. normal use: 58 dB(A) re 1 pW (45 dB(A) re 20  $\mu$ Pa sound pressure)  
Intensive: 67 dB(A) re 1 pW (54 dB(A) re 20  $\mu$ Pa sound pressure)
- Diameter pipe  $\varnothing$  150 mm ( $\varnothing$  120 mm enclosed)
- Extraction rate in recirculation mode:  
Max. normal use: 409 m<sup>3</sup>/h  
Intensive: 615 m<sup>3</sup>/h
- Power rating: 263 W
- Dimensions exhaust air (HxWxD): 929-1199 x 890 x 499 mm
- Dimensions recirculating with CleanAir module (HxWxD):  
1119 x 890 x 499 mm - mounting with outer chimney  
1189-1459 x 890 x 499 mm - mounting with telescopic chimney
- Dimensions recirculating, chimney (HxWxD): 989-1259 x 890 x 499 mm
- Dimensions recirculating, chimless (HxWxD): 453 mm x 890 x 499 mm

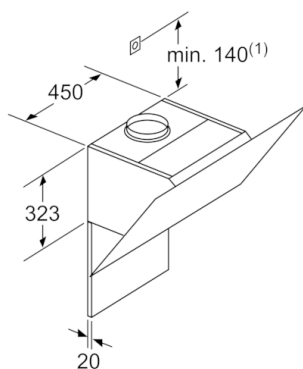
**Serie | 4, Wall-mounted Extractor Hood, 90 cm, clear glass white printed DWK97HM20**



Appliance in circulated air mode without duct  
Circulated air set required  
measurements in mm



measurements in mm



(1) Position of socket

Note the maximum thickness of the back panel.  
measurements in mm

