

**Serie | 4, Wall-mounted Extractor Hood, 60 cm, clear glass black printed DWK67HM60**



**Inclined hood: optimal for keeping an eye on your pots and pans. Inclined hood: optimal for keeping an eye on your pots and pans.**

- **Especially silent:** maximal extractor performance with minimal noise
- **Easy-to-clean interior:** hidden screws and cables along with rounded edges make cleaning easy.
- **TouchSelect control:** quick touch-control selection of desired settings and light. TouchSelect control: quick touch-control selection of desired settings and light.
- **Intensive speed setting:** removes strong kitchen odours especially quickly and effectively.
- **Extraction rate:** at MAX\_FOERDERLEISTUNG m3/h, it quickly ensures optimal kitchen air quality.

**Technical data**

Typology :	Chimney
Approval certificates :	CE, Eurasian, Ukraine, VDE
Length electrical supply cord (cm) :	130
Height of product, without chimney (mm) :	323
Net weight (kg) :	19.646
Type of control :	Electronic
Maximum output air extraction (m3/h) :	416
Boost position output recirculating (m3/h) :	615.0
Maximum output recirculating air (m3/h) :	409
Boost position air extraction (m <sup>3</sup> /h) :	700
Number of lights :	2
Noise level (dB(A) re 1 pW) :	58
Diameter of air outlet (mm) :	120 / 150
Grease filter material :	Washable aluminium
Odour filter :	No
Operating Mode :	Convertible
Optional accessories :	
DWZ0AK0R0, DWZ0AK0S0, DWZ0AX5K0, DWZ0AX5L0, DWZ1AK1B6, DWZ1AK1I6, DWZ1AK1V6, DWZ1AX5C6, DWZ1AX6E1, DZZ0XX0P0, DZZ1XX1B6, HEZG9AS00S	
Type of lamps used :	LED
Grease filter type :	Kassette
Connection Rating (W) :	263
Current (A) :	10
Voltage (V) :	220-240
Frequency (Hz) :	50; 60
Plug type :	Gardy plug w/ earthing
Installation typology :	Wall-mounted
Material body :	Glass, Lacquered
Approval certificates :	CE, Eurasian, Ukraine, VDE
Plug type :	Gardy plug w/ earthing
Dimensions of the product, with chimney (if exists) (in) :	/ x x
Dimensions of the packed product (in) :	27.16 x 29.13 x 40.94
Net weight (lbs) :	43.000
Gross weight (lbs) :	63.000
Motor location :	Integrated motor in hood body
No-return airflow flap :	Yes
Length electrical supply cord (cm) :	130
Dimensions of the product, with chimney (if exists) (mm) :	453 x 590.0 x 499.0
Dimensions of the packed product (HxWxD) (mm) :	690 x 740 x 1040
Net weight (kg) :	19.646
Gross weight (kg) :	28.5



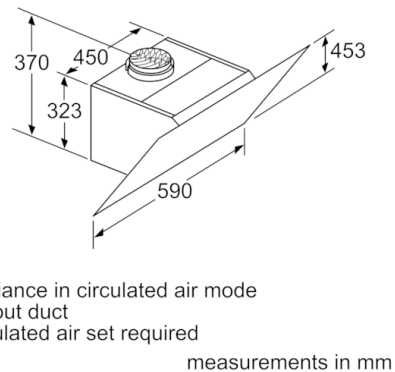
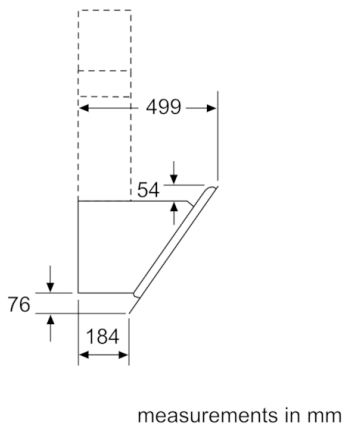
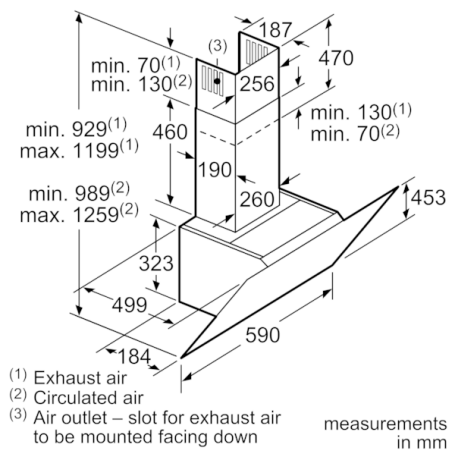
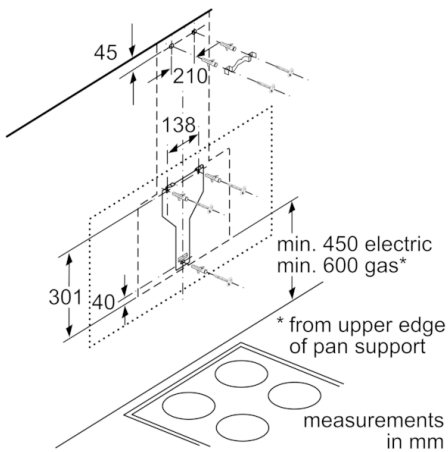
**Serie | 4, Wall-mounted Extractor Hood, 60 cm, clear glass black printed DWK67HM60**

**Inclined hood: optimal for keeping an eye on your pots and pans. Inclined hood: optimal for keeping an eye on your pots and pans.**

- Energy Efficiency Class: B\*
- Average Energy Consumption: 56.6 kWh/year\*
- Blower Efficiency Class: B\*
- Lighting Efficiency Class: B\*
- Grease Filtering Efficiency Class: C\*
- Noise max. Normal Level: 58 dB\*
- Chimney extractor hood
- 60 cm
- black
- Glas plate: clear glass black printed
- Suitable for ducted or recirculating operation
- In recirculation operation chimneyless use possible
- For recirculated extraction a recirculating kit or a CleanAir recirculation kit (accessory) is needed
- Designed for wall mounted installation
- touch control for extractor speeds and light
- Electronic controls
- touch control with Electronic display
- 3 speed + intensive operation via touch control
- Electronic controls via touch control with Electronic display
- touch control (3 speed + intensive operation) with Electronic display
- 3 speed + intensive operation
- 2 capture areas: front side and bottom side
- Intensive op. revert dur.: 6 min.
- Easy to clean
- Twin channel high performance fan motor
- 2 x 1,5W LED
- Light Intensity: 100 lux
- Colour Temperature: 3500 K
- Metal grease filter with side extraction
- Filter cover glass
- Removable metal grease filters, dishwasher safe
- Extraction rate according to DIN/EN 61591  $\varnothing$  15 cm: max. Normal 416 m<sup>3</sup>/h Intensive 700 m<sup>3</sup>/h
- Ducted extraction rate according to DIN/EN 61591 max. 416 m<sup>3</sup>/h
- Maximum extraction 416 m<sup>3</sup>/h
- Extraction rate exhaust air according to EN 61591: max. normal use 416 m<sup>3</sup>/h, intensive 700 m<sup>3</sup>/h
- Noise level according to EN 60704-3 und EN 60704-2-13 at max. normal use exhaust air: 58 dB(A) re 1 pW (45 dB(A) re 20  $\mu$ Pa sound pressure)
- Noise level according to EN 60704-3 and EN 60704-2-13 exhaust air:  
Max. normal use: 58 dB(A) re 1 pW (45 dB(A) re 20  $\mu$ Pa sound pressure)  
Intensive: 67 dB(A) re 1 pW (54 dB(A) re 20  $\mu$ Pa sound pressure)
- Diameter pipe  $\varnothing$  150 mm ( $\varnothing$  120 mm enclosed)
- Max. extraction rate: 700 m<sup>3</sup>/h
- Extraction rate in recirculation mode:  
Max. normal use: 409 m<sup>3</sup>/h  
Intensive: 615 m<sup>3</sup>/h
- Power rating: 263 W

*\* In accordance with the EU-Regulation No 65/2014*

**Serie | 4, Wall-mounted Extractor Hood, 60 cm, clear glass black printed DWK67HM60**



Appliance in circulated air mode without duct  
Circulated air set required

