

**Series 2, Wall-mounted Extractor Hood, 60 cm, , Black
DWK63PJ60Z**



- DWZ1BK6K2 Chimney extension 400 mm
- DWZ1BK6Y2 One-way flap
- DWZ6BK5E2 Carbon filter

The wall-mounted chimney hood: mount it on the wall, giving you complete freedom in your kitchen planning.

- **Silence:** maximal extractor performance with little noise

Color chimney:	Black
Typology:	Wall-mounted
Length electrical supply cord:	150 cm
Height of the appliance:	340 mm
Minimum distance above an electric hob:	450 mm
Minimum distance above a gas hob:	650 mm
Net weight:	11.8 kg
Type of control:	mechanical
Number of speed settings:	3
Max. air extraction:	360 m ³ /h
Max. air recirculation:	243 m ³ /h
Maximum Air flow:	360 m ³ /h
Number of lights:	2
Noise level:	64 dB(A) re 1pW
Diameter of air outlet:	150 / 120 mm
Grease filter material:	Washable aluminium
EAN code:	4242005445585
Fuse protection:	KSA A
Voltage:	220-240 V
Frequency:	50 Hz
Plug type:	South Africa plug
Installation typology:	Wall-mounted





Series 2, Wall-mounted Extractor Hood, 60 cm, , Black DWK63PJ60Z

The wall-mounted chimney hood: mount it on the wall, giving you complete freedom in your kitchen planning.

Variant:

- DWK63PJ60Z
- Designed for wall mounted installation
- Inclined glass brand design

Design:

- black with glass canopy
- push buttons for extractor speeds and light
- Removable metal grease filters, dishwasher safe

Operating and power:

- 3 speed operation
- Ducted extraction rate according to DIN/EN 61591max. 360 m³/h
- Suitable for ducted or recirculating operation
- Recirculating kit

Comfort:

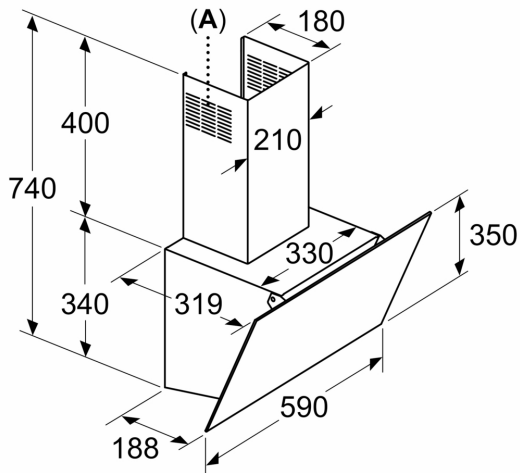
- Noise max. Normal Level: 64 dB*
- Light Intensity: 1400 lux
- Colour Temperature: 3000 K

Measures:

- 59 cm wide
- Dimensions exhaust air (HxWxD): 740-1115 x 590 x 319 mm
- Dimensions recirculating (HxWxD): 740-1015 x 590 x 319 mm
- Diameter pipe Ø 150 mm (Ø 120 mm enclosed)

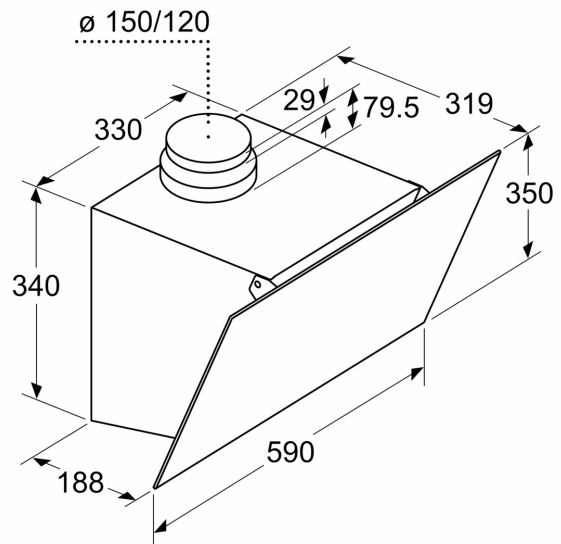
Series 2, Wall-mounted Extractor
Hood, 60 cm, , Black
DWK63PJ60Z

Measurements in mm

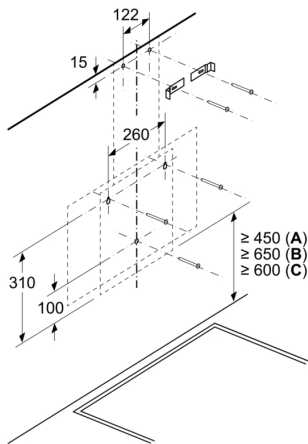


A: Air outlet – slots for exhaust air to be mounted facing down

Measurements in mm

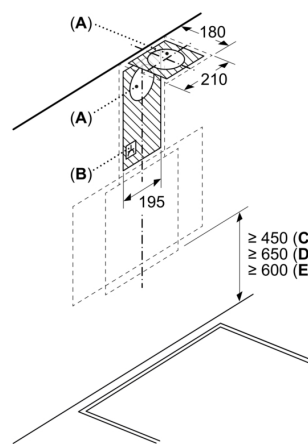


Measurements in mm



A: Electric
B: Gas - from upper edge of pan support
C: Electric - for Australia and New Zealand

Measurements in mm



A: Exhaust-air outlet
B: Socket
C: Electric
D: Gas - from upper edge of pan support
E: Electric - for Australia and New Zealand