

**Series 2, Wall-mounted Extractor Hood, 90 cm, clear glass black printed DWK095G60**



DWA0LK6A carbon filter

**The wall-mounted chimney hood: mount it on the wall, giving you complete freedom in your kitchen planning.**

- **Metal Grease Filter:** cleans the air, captures grease, easy monthly clean-up.

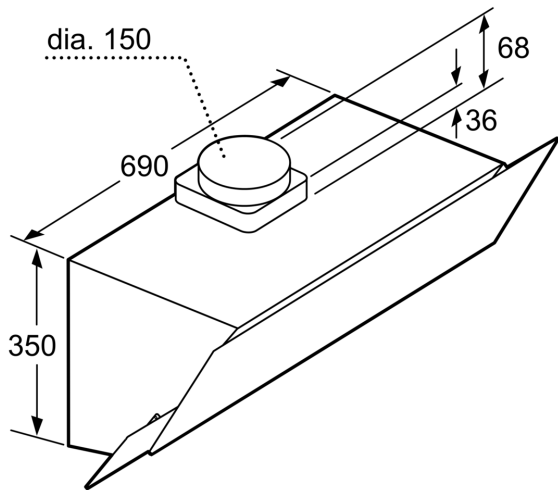
---

Typology: .....	Wall-mounted
Length electrical supply cord: .....	130.0 cm
Height of the appliance: .....	354 mm
Minimum distance above an electric hob: .....	470 mm
Minimum distance above a gas hob: .....	570 mm
Net weight: .....	11.1 kg
Type of control: .....	Electronic
Number of speed settings: .....	3
Max. air extraction: .....	629 m <sup>3</sup> /h
Max. air recirculation: .....	230 m <sup>3</sup> /h
Maximum Air flow: .....	629 m <sup>3</sup> /h
Number of lights: .....	2
Noise level: .....	67 dB(A) re 1 pW
Diameter of air outlet: .....	150 / 120 mm
Grease filter material: .....	Washable aluminium
EAN code: .....	4242005049080
Connection rating: .....	216 W
Fuse protection: .....	10 A
Voltage: .....	220-240 V
Frequency: .....	50 Hz
Plug type: .....	Gardy plug w/ earthing
Installation typology: .....	Wall-mounted

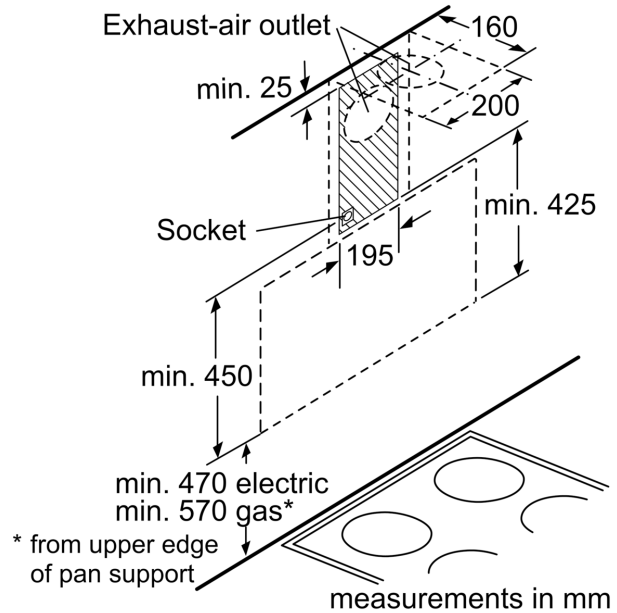
---



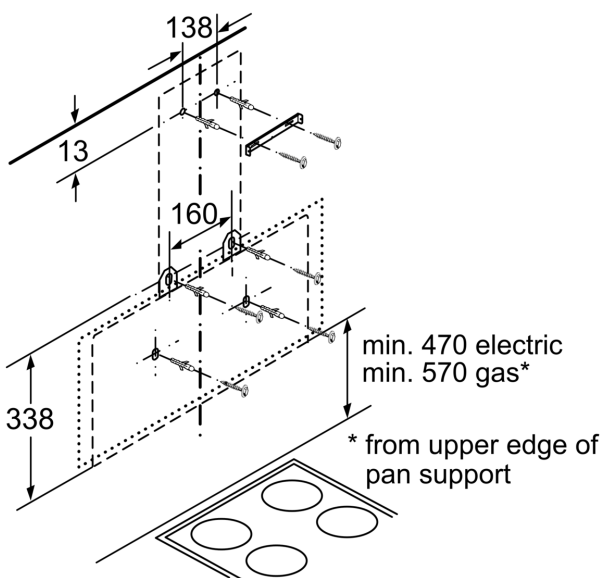
**Series 2, Wall-mounted Extractor**  
**Hood, 90 cm, clear glass black**  
**printed**  
**DWK095G60**



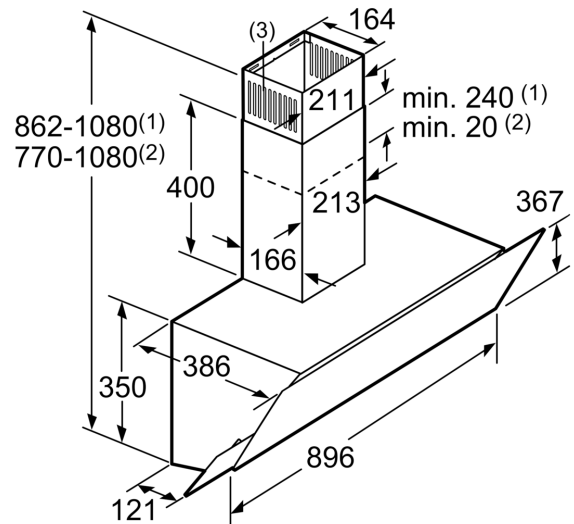
measurements in mm



measurements in mm



measurements in mm



(1) Exhaust air (2) Circulated air (3) Air outlet – slots for exhaust air to be mounted facing down  
 measurements in mm